

10.0 W/C

Enhance your audio system with OmniMount's Stainless Steel Series 10.0 speaker mount. The 10.0 W/C is the proven choice for mounting satellite speakers up to 10 lbs (4,5 kg) on a wall or ceiling.



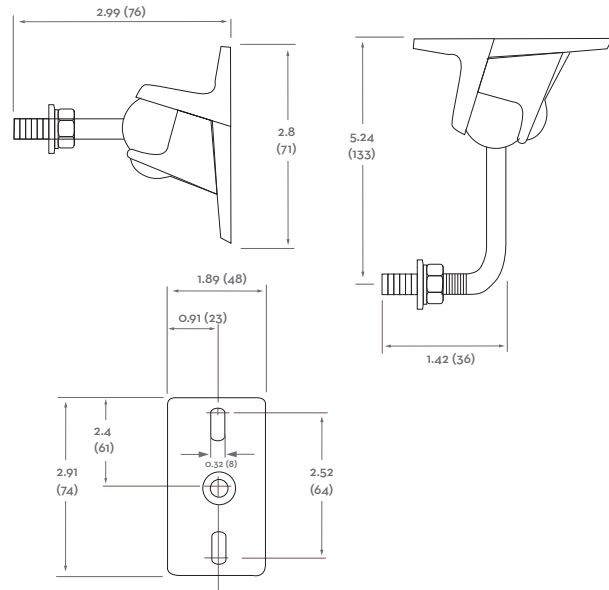
PRODUCT SPECIFICATIONS*

Fits most: Bookshelf speakers
Supports up to: 10 lbs (4,5 kg)
Thread size: 1/4" - 20
Tilt: +/- 30°
Pan: 180°
Base Rotation: 360°
Color: Black

PRODUCT BENEFITS*

- Polymer-injected ball controls resonance frequencies for better sound
- Stainless steel hardware for strength and durability
- Suitable for all weather use
- Ball and clamp design for greater mounting flexibility
- Includes clamp and jaw
- Includes complete hardware kit

*Subject to change



inches (mm)

| | UPC | Dimensions WxDxH inches (mm) | Wt lbs (kg) | Qty |
|----------------------|--------------|--------------------------------|-------------|-----|
| Packaging | 728901007071 | 2.2 x 7.5 x 9.3 (55x191x236) | 0.7 (0,3) | -- |
| Master Carton | 728901700552 | 8.7 x 7.5 x 11.5 (222x191x292) | 5.1 (2,3) | 6 |

| Box Contents | Qty |
|--------------------|-----|
| Clamp assembly | 1 |
| Wall ball shaft | 1 |
| Ceiling ball shaft | 1 |
| Mounting plate | 1 |

| Box Contents | Qty |
|-----------------------|-----|
| Polymer ball | 1 |
| Complete hardware kit | 1 |
| Instruction manual | 1 |