



# 300 ICW 4

## Product Data Sheet

Magnets for mounting magnetic grilles with anti-vibration pads.

Handles to attach the speaker to the mounting frame without tools.

1" (25 mm) Al/Mg inverted dome tweeter with Poron suspension. Smoother sound.

4" (10cm) Flax midbass. Flax Membrane: neutrality and sound definition.

Product rear protection against dust.

Easy Quick Install system. No tools required. System compatible with wall/ceiling from 0<sup>3/16</sup>" to 1<sup>3/16</sup>" (5 to 30mm).



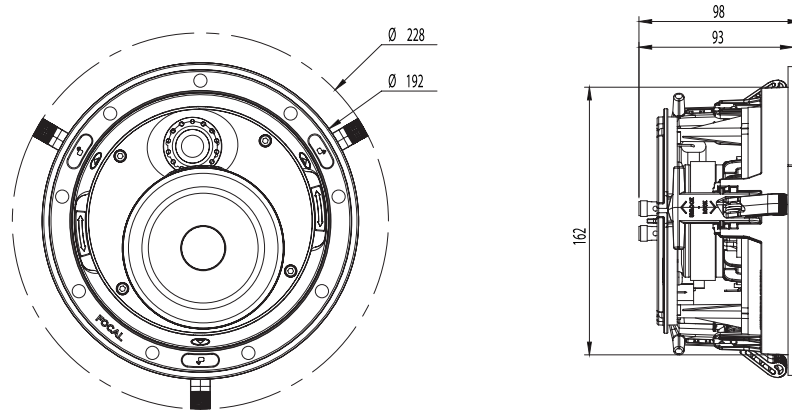
### Key points

- Ultra compact 2-way speaker for custom install
- No tools required to install the product
- Loudspeaker developed and manufactured in France by Focal
- Delivered with square and circular front grilles and painting protective mask
- Excellent size-performance ratio

### Technical specifications

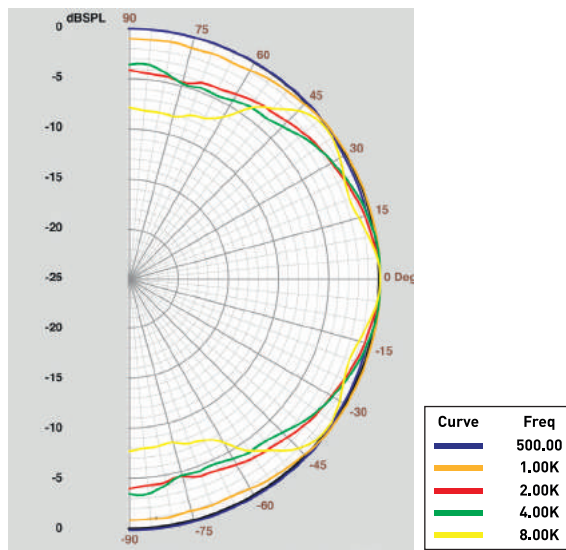
Type	2-Way
Drivers	4" (10cm) Flax Mid-bass 1" (25mm) Al/Mg inverted dome Tweeter
Sensitivity (2.83 V/1m)	88dB
Frequency response (+/-3dB)	80Hz - 28kHz
Low frequency point (-6dB)	72Hz
Nominal impedance	8 Ohms
Minimal impedance	4.5 Ohms
Recommended amplifier power	25 - 100W
Dimensions (Ø/Depth)	7 <sup>9/16</sup> x 3 <sup>55/64</sup> " (192x98mm)
Cut-Out diameter	6 <sup>27/64</sup> " (163mm)
Depth behind surface	3 <sup>21/32</sup> " (93mm)
Net weight (with grille)	2.6 lbs (1.3kg)
Box dimensions (WxDxH)	10 <sup>15/64</sup> x 10 <sup>15/64</sup> x 9 <sup>27/32</sup> " (260x260x250mm)
Total weight in box	5.07 lbs (2.3kg)

## Dimensions

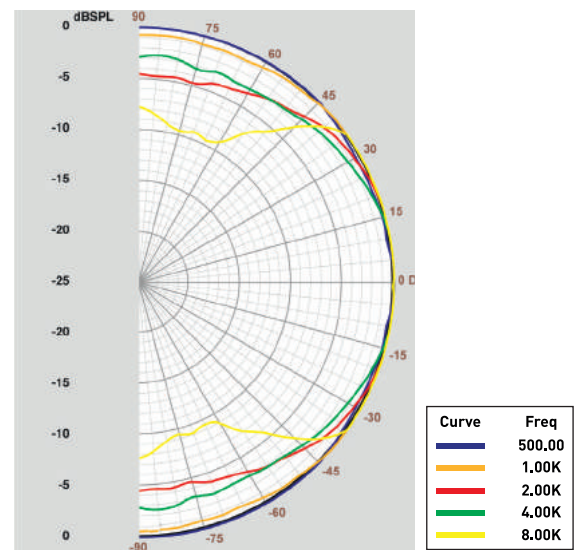


## Measurements

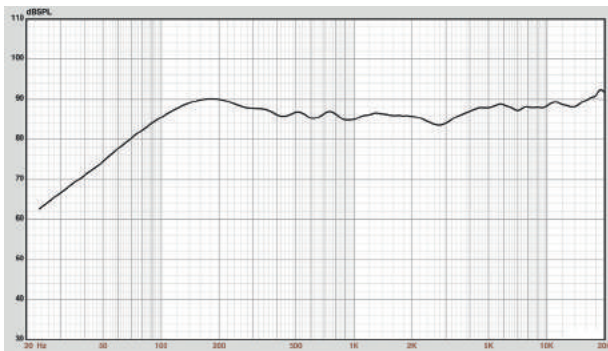
### Horizontal directivity



### Vertical directivity



## Frequency response



## ICW4 speaker level calculation table

Power/Distance	1m	2m	5m
1 W (2.83V)	88dB	82dB	74dB
5 W (6.32V)	95dB	89dB	81dB
10 W (8.94V)	98dB	92dB	84dB
20 W (12.6V)	101dB	95dB	87dB

Summary	125Hz	250Hz	500Hz	1kHz	2kHz	4kHz	8kHz
SPL [2.83V/1m][dB]	86	88	86	86	86	87	89
Opening angle at -6dB	180°	180°	180°	180°	180°	180°	120°