



AcousticPerformance™ Series

AP-212sw

Dual 12-inch, Direct Radiating,
Vented, Subwoofer

Features

- Premium-grade, long excursion, dual 12-inch transducers
- Shallow horizontal profile for under riser deployments
- Advanced voicing filter sets using QSC Intrinsic Correction™, available through either Q-Sys processing or CXD amplifier platforms
- Two threaded pole cups for both vertical and horizontal applications
- Two NL4 connectors in crossed configuration for easy pass thru to top boxes
- Clean industrial design with unadorned grilles compliment most decors and settings
- Interlocking feet and recess features allow for rigid stacking
- 15mm Baltic birch plywood construction
- 16-Gauge powder coated steel grilles
- Four integrated handles and optional caster kit for ease of transport
- Available in black (RAL 9011)
- Complete EASE, CAD & BIM information available at qsc.com



Performance Spaces · Worship Facilities · Dance/Night Clubs · Portable and Live Sound · Retail Establishments · Themed Entertainment

The AcousticPerformance™ AP-212sw is a premium, high performance, direct radiating dual 12-inch subwoofer designed for use in portable and installed sound applications. The AP-212sw provides exceptional punch while maintaining ample extension so the musically important fundamentals are solidly and accurately reproduced. With a matching profile to the AP-4122m and AP5122m full range models, the AP-212sw is an ideal companion, providing added low frequency extension and musical accuracy to the AcousticPerformance portfolio.

The AP-212sw features dual 12-inch woofers reversed mounted on a V-baffle for improved thermal protection and performance. The 15mm Baltic Birch enclosure is finished in an environmentally friendly, waterborne, polymer finish rugged enough for the demands of everyday use while also being field repairable. Internal bracing is employed to eliminate acoustic losses due to panel resonance while maintaining the lightweight enclosures robustness. Ample port area allows free movement of air resulting in minimal turbulence and port distortion.

The versatility of the AP-212sw is evidenced by two pole mount options for both vertical and horizontal applications. Furthermore, when horizontal, the AP-212sw has a shallow height, desirable for under riser installs. The AP-212sw includes four integrated handles and an optional caster kit for ease of transport.

The AP-212sw input cup features dual NL4 connectors in a crossed configuration, where pins 2 of the input are returned to pins 1 on the thru output. This clever configuration allows a single NL4 cable to carry both sub and top box signals without the need of a custom turn cable.

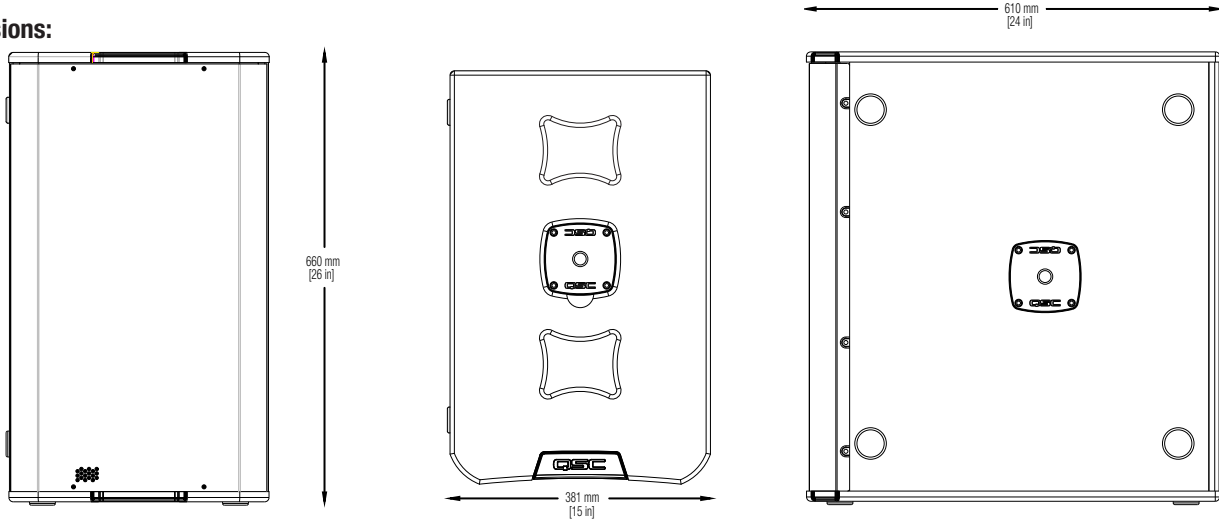
Presenting a clean, unobtrusive look, AcousticPerformance grilles are unadorned eliminating the need to cover-up logo treatments which can be difficult to hide or remove. The grille is also lined with acoustically transparent backing adding to the enclosure's professional appearance. The AP-212sw is available in black (RAL 9011) finish.

To further enhance performance and speed of install with optimum result, proprietary Intrinsic Correction™ tunings are obtainable via Q-Sys networked audio processing platforms, including CXD and PLD amplifiers for a complete QSC systems solution.

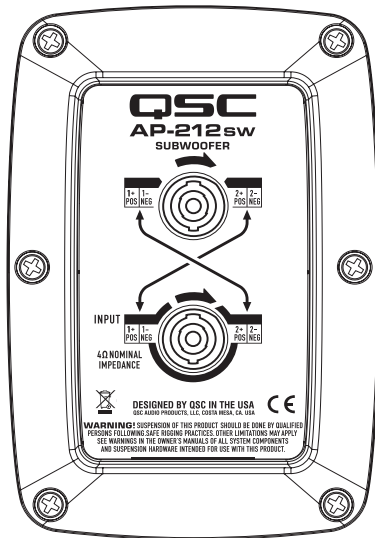
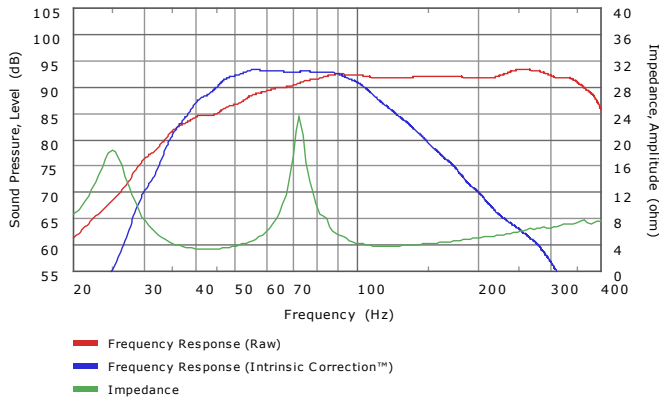
To assist in successful systems integration, complete EASE, CAD, and BIM files are available for online download at qsc.com

AP-212sw Details

Dimensions:



Impedance / Frequency Response:



Specifications:

System Details	AP-212sw
Effective Frequency Range ⁽¹⁾	35Hz – 250Hz
Rated Noise Power / Voltage ⁽²⁾	600W / 49 volts (rms)
System Sensitivity ⁽³⁾	93dB
Maximum Rated SPL ⁽⁴⁾	121dB @1m, continuous 127dB @1m, peak
Rated Impedance	4Ω
LF Transducer	2x 305mm [12 in] weather resistant cone woofer 64mm [2.5 in] voice-coil
Optional Accessories	Subwoofer-Caster Kit Speaker Pole M2035-36 (Horizontal) Speaker Pole M2035-26 (Vertical)
Enclosure Details	
Input Connector	2x NL4 - crossed A: Sub 1+/-, Thru 2+/- B: Thru 1+/-, Sub 2+/-
Enclosure Material	15mm Baltic birch plywood
Pole Attachment	2x M20 threaded inserts
Color	Black (RAL 9011)
Grille	16 Gauge powder coated steel
Dimensions (HxWxD)	660 x 381 x 610 mm [26 x 15 x 24 in]
Net Weight	29.7 kg [65.4 lb]
Shipping Carton Dimensions (HxWxD)	744 x 516 x 724 mm [29.3 x 20.3 x 28.5 in]
Shipping Weight	30.4 kg [67 lb]

¹ Half space, -10dB from on-axis sensitivity

² AES2-1984 noise signal for 2 hours

³ Free-field, on-axis, 1W, 1m

⁴ Calculated from rated noise voltage and sensitivity

Specifications are subject to change without notice.

QSC™

1675 MacArthur Boulevard • Costa Mesa, CA 92626 • Ph: 800/854-4079 or 714/957-7100 • Fax: 714/754-6174

© 2013 QSC Audio Products, LLC. All rights reserved. QSC and the QSC logo are registered trademarks of QSC Audio Products, LLC in the U.S. Patent and Trademark office and other countries. All other trademarks are the property of their respective owners. Patents may apply or be pending.

