



# BOOM BOX FX3



User Manual

***Startec***<sup>®</sup>  
SERIES  
by ADJ

©2021 ADJ Products, LLC all rights reserved. Information, specifications, diagrams, images, and instructions herein are subject to change without notice. ADJ Products, LLC logo and identifying product names and numbers herein are trademarks of ADJ Products, LLC. Copyright protection claimed includes all forms and matters of copyrightable materials and information now allowed by statutory or judicial law or hereinafter granted. Product names used in this document may be trademarks or registered trademarks of their respective companies and are hereby acknowledged. All non-ADJ Products, LLC brands and product names are trademarks or registered trademarks of their respective companies.

**ADJ Products, LLC** and all affiliated companies hereby disclaim any and all liabilities for property, equipment, building, and electrical damages, injuries to any persons, and direct or indirect economic loss associated with the use or reliance of any information contained within this document, and/or as a result of the improper, unsafe, insufficient and negligent assembly, installation, rigging, and operation of this product.

## DOCUMENT VERSION



Due to additional product features and/or enhancements, an updated version of this document may be available online.

Please check [www.adj.com](http://www.adj.com) for the latest revision/update of this manual before beginning installation and/or programming.

Date	Document Version	Software Version	DMX Channels	Notes
07/24/2017	1.0	1.0	3 / 52 Ch	Initial Release.
11/11/2021	1.1	N/C	No Change	Updated UC IR/Airstream Control.

Europe Energy Saving Notice

Energy Saving Matters (EuP 2009/125/EC)

Saving electric energy is a key to help protecting the environment. Please turn off all electrical products when they are not in use. To avoid power consumption in idle mode, disconnect all electrical equipment from power when not in use. Thank you!

## TABLE OF CONTENTS

General Information	4
General Instructions   Features   Warranty Registration   Handling Precautions	5
Safety Precautions	6
DMX Setup	7
Installation   Rear Layout	9
CAD Drawing	10
System Menu	11
Offset Menu	14
Operation	15
Primary-Secondary Setup   Power Cord Daisy Chain	16
UC IR/Airstream Control	17
DMX Traits	19
Fuse Replacement   Cleaning   Trouble Shooting	22
Limited Warranty (USA Only)	23
Specifications	24

## GENERAL INFORMATION

**Unpacking:** Thank you for purchasing the Boom Box FX3 by ADJ Products, LLC. Every Boom Box FX3 has been thoroughly tested and has been shipped in perfect operating condition. Carefully check the shipping carton for damage that may have occurred during shipping. If the carton appears to be damaged, carefully inspect your fixture for any damage and be sure all equipment necessary to operate the unit has arrived intact. In the event that damage has been found or parts are missing, please contact our toll free customer support number for further instructions. Please do not return this unit to your dealer without contacting customer support first.

**Introduction:** The Boom Box FX3 is a DMX intelligent LED moon-flower, matrix, & color ring/tunnel effect fixture. The Boom Box FX3 has 2 DMX channel modes: a 3 channel mode and 52 channel mode. The fixture can operate in as a stand alone fixture or in a Primary/Secondary set up. The Boom Box FX3 has three operating modes: sound active, show mode, and DMX Control. For best results use fog or special effects smoke to enhance the beams projections.

**Customer Support:** Contact ADJ Service for any product related service and support needs. Also visit [forums.adj.com](http://forums.adj.com) with questions, comments or suggestions.

**Parts:** To purchase parts online visit:

<http://parts.adj.com> (US)

<http://www.adjparts.eu> (EU)

**ADJ SERVICE USA - Monday - Friday 8:00am to 4:30pm PST**

Voice: 800-322-6337 | Fax: 323-582-2941 | [support@adj.com](mailto:support@adj.com)

**ADJ SERVICE EUROPE - Monday - Friday 08:30 to 17:00 CET**

Voice: +31 45 546 85 60 | Fax: +31 45 546 85 96 | [support@adj.eu](mailto:support@adj.eu)

### ADJ PRODUCTS LLC USA

6122 S. Eastern Ave. Los Angeles, CA. 90040

323-582-2650 | Fax 323-532-2941 | [www.adj.com](http://www.adj.com) | [info@adj.com](mailto:info@adj.com)

### ADJ SUPPLY Europe B.V

Junostraat 2 6468 EW Kerkrade, The Netherlands

+31 (0)45 546 85 00 | Fax +31 45 546 85 99

[www.americandj.eu](http://www.americandj.eu) | [info@americandj.eu](mailto:info@americandj.eu)

### ADJ PRODUCTS GROUP Mexico

AV Santa Ana 30 Parque Industrial Lerma, Lerma, Mexico 52000

+52 (728) 282-7070

**WARNING! TO PREVENT OR REDUCE THE RISK OF ELECTRICAL SHOCK OR FIRE, DO NOT EXPOSE THIS UNIT TO RAIN OR MOISTURE.**

**CAUTION! THIS MAY CAUSE EYE DAMAGE. AVOID LOOKING DIRECTLY INTO THE LIGHT SOURCE. USE SENSIBLE PRECAUTION.**

## GENERAL INSTRUCTIONS

To optimize the performance of this product, please read these operating instructions carefully to familiarize yourself with the basic operations of this unit. These instructions contain important safety information regarding the use and maintenance of this unit. Please keep this manual with the unit for future reference.

## FEATURES

- 2 DMX Channel Modes: 3 Channel and 52 Channel Modes
- 3 Operating Modes - Sound Active, Show Mode, & DMX Control
- Internal Microphone
- Digital Display for Address and Function Setting
- Power Cord Daisy Chain
- UC IR Compatible (Not Included) & Airstream IR Compatible (Transmitter Included)

## WARRANTY REGISTRATION

The Boom Box FX3 carries a 1 Year limited warranty. Please fill out the enclosed warranty card to validate your purchase and warranty. You may also register your product online at [www.adj.com](http://www.adj.com). All returned service items, whether under warranty or not, must be freight pre-paid and accompanied by a return authorization (R.A.) number. If the unit is under warranty you must provide a copy of your proof of purchase invoice. Please contact ADJ customer support for an R.A. number.

## HANDLING PRECAUTIONS

**Caution!** There are no user serviceable parts inside this unit. Do not attempt any repairs yourself, as doing so will void your manufacturer's warranty. In the unlikely event that your unit requires service, please contact ADJ Products, LLC.

*During operation the housing may become extremely hot. Avoid touching the unit with bare hands while in use.*

*ADJ Products, LLC will not accept any liability for any resulting damages caused by the non-observance of this manual or any unauthorized modification to this unit.*

## SAFETY PRECAUTIONS

**Safety Issues:** *This unit may “pop” the fuse if the maximum allotted load of 2 amps is reached.*

- To reduce the risk of electrical shock or fire, do not expose this unit to rain or moisture.
- Do not spill water or other liquids into or on to your unit.
- Do not attempt to remove or break off the ground prong from the electrical cord. This prong is used to reduce the risk of electrical shock and fire in case of an internal short. Do not attempt to operate this unit if the power cord has been frayed or broken.
- Disconnect from main power before making any type of connection.
- Do not remove the cover for any reason. There are no user serviceable parts inside.
- Always be sure to mount this unit in an area that will allow proper ventilation. Allow about 6” (15cm) between this device and a wall.
- Do not attempt to operate this unit if it has been damaged in any way.
- This unit is intended for indoor use only. Use of this product outdoors voids all warranties.
- During long periods of non-use, disconnect the unit from main power.
- Always mount this unit in a safe and stable matter.
- Power cords should be routed so they are not likely to be walked on, or pinched by items placed upon or against them.
- Cleaning - The fixture should be cleaned only as recommended by the manufacturer. See the **Cleaning** section of this manual for cleaning details.
- Heat - The appliance should be situated away from heat sources such as radiators, heat registers, stoves, or other appliances (including amplifiers) that produce heat.
- The fixture should be serviced by qualified service personnel when:
  - A. The power supply cord or the plug has been damaged.
  - B. Objects have fallen onto, or liquid has been spilled into, the unit.
  - C. The unit has been exposed to rain or water.
  - D. The unit does not appear to operate normally or exhibits a marked change in performance.

## DMX SETUP

**Power Supply:** The ADJ Boom Box FX3 contains an automatic voltage switch, which will automatically sense the voltage when it is plugged into the power source. With this switch there is no need to worry about the correct power voltage, and this unit can be plugged in anywhere.

**DMX-512:** DMX is short for Digital Multiplex. This is a universal protocol used by most lighting and controller manufacturers as a form of communication between intelligent fixtures and controllers. A DMX controller sends DMX data instructions from the controller to the fixture. DMX data is sent as serial data that travels from fixture to fixture via the DATA “IN” and DATA “OUT” XLR terminals located on all DMX fixtures (most controllers only have a DATA “OUT” terminal).

**DMX Linking:** DMX is a language allowing all makes and models of different manufacturers to be linked together and operate from a single controller, as long as all fixtures and the controller are DMX compliant. To ensure proper DMX data transmission, try to use the shortest cable path possible when linking several DMX fixtures. The order in which fixtures are connected in a DMX line does not influence the DMX addressing. For example, a fixture assigned a DMX address of 1 may be placed anywhere in a DMX line: at the beginning, at the end, or anywhere in the middle. When a fixture is assigned a DMX address of 1, the DMX controller knows to send DATA assigned to address 1 to that unit, no matter where it is located in the DMX chain.

**Data Cable (DMX Cable) Requirements (For DMX and Primary/Secondary Operation):** The Boom Box FX3 can be controlled via DMX-512 protocol. The Boom Box FX3 has 2 DMX channel modes: a 3 channel mode and a 52 channel mode. The DMX address is set electronically using the controls on the back panel of the unit. Your unit and your DMX controller require an approved DMX-512 110 Ohm Data cable for data input and data output (Figure 1). We recommend Accu-Cable DMX cables. If you are making your own cables, be sure to use standard 110-120 Ohm shielded cable (This cable may be purchased at almost all professional sound and lighting stores). Your cables should be made with a male XLR connector on one end and a female XLR connector on the other. Also remember that DMX cable must be daisy chained and cannot be split.



Figure 1

## DMX SETUP

**Notice:** Be sure to follow figures two and three when making your own cables. Do not use the ground lug on the XLR connector. Do not connect the cable's shield conductor to the ground lug or allow the shield conductor to come in contact with the XLR's outer casing. Grounding the shield could cause a short circuit and erratic behavior.

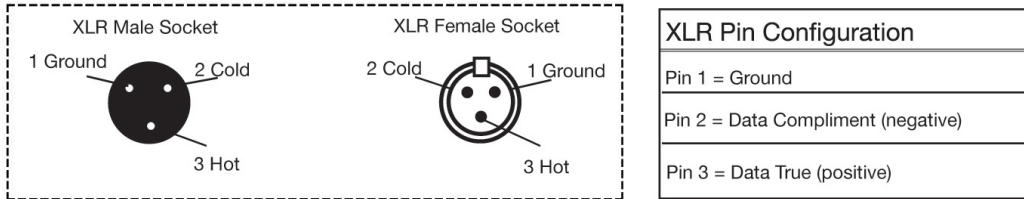
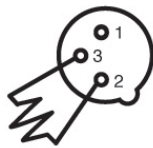


Figure 3

**Special Note: Line Termination.** When longer runs of cable are used, you may need to use a terminator on the last unit to avoid erratic behavior. A terminator is a 110-120 ohm 1/4 watt resistor which is connected between pins 2 and 3 of a male XLR connector (DATA + and DATA -). This unit is inserted in the female XLR connector of the last unit in your daisy chain to terminate the line. Using a cable terminator (ADJ part number Z-DMX/T) will decrease the possibilities of erratic behavior.



Termination reduces signal errors and avoids signal transmission problems and interference. It is always advisable to connect a DMX terminal, (Resistance 120 Ohm 1/4 W) between PIN 2 (DMX-) and PIN 3 (DMX +) of the last fixture.

Figure 4

**5-Pin XLR DMX Connectors.** Some manufacturers use 5-pin XLR connectors for DATA transmission in place of 3-pin. 5-pin XLR fixtures may be implemented in a 3-pin XLR DMX line. When inserting standard 5-pin XLR connectors in to a 3-pin line a cable adaptor must be used. These adaptors are readily available at most electric stores. The chart below details a proper cable conversion.

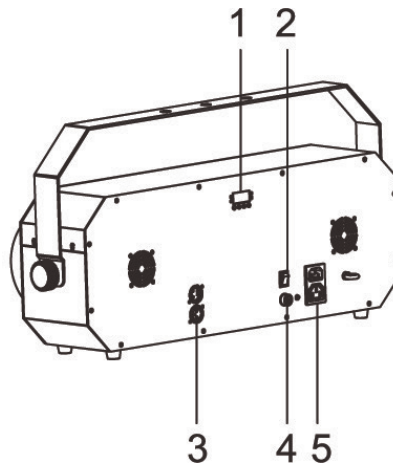
3-Pin XLR to 5-Pin XLR Conversion		
Conductor	3-Pin XLR Female (Out)	5-Pin XLR Male (In)
Ground/Shield	Pin 1	Pin 1
Data Compliment (- signal)	Pin 2	Pin 2
Data True (+ signal)	Pin 3	Pin 3
Not Used		Pin 4 - Do Not Use
Not Used		Pin 5 - Do Not Use



## INSTALLATION

The unit should be mounted using a mounting clamp (not provided) and affixing it to the mounting bracket that is provided with the unit. Always ensure that the unit is firmly fixed to avoid vibration and slipping during operation. Always ensure that the structure to which you are attaching the unit is secure and is able to support at least 10 times the unit's weight. Also, always use a safety cable that can hold 12 times the weight of the unit when installing the fixture. The equipment must be installed by a professional, and it must be installed in a place where it is out of the reach of people's grasp.

### REAR LAYOUT



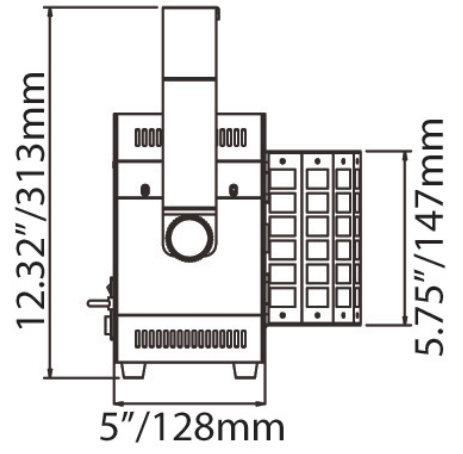
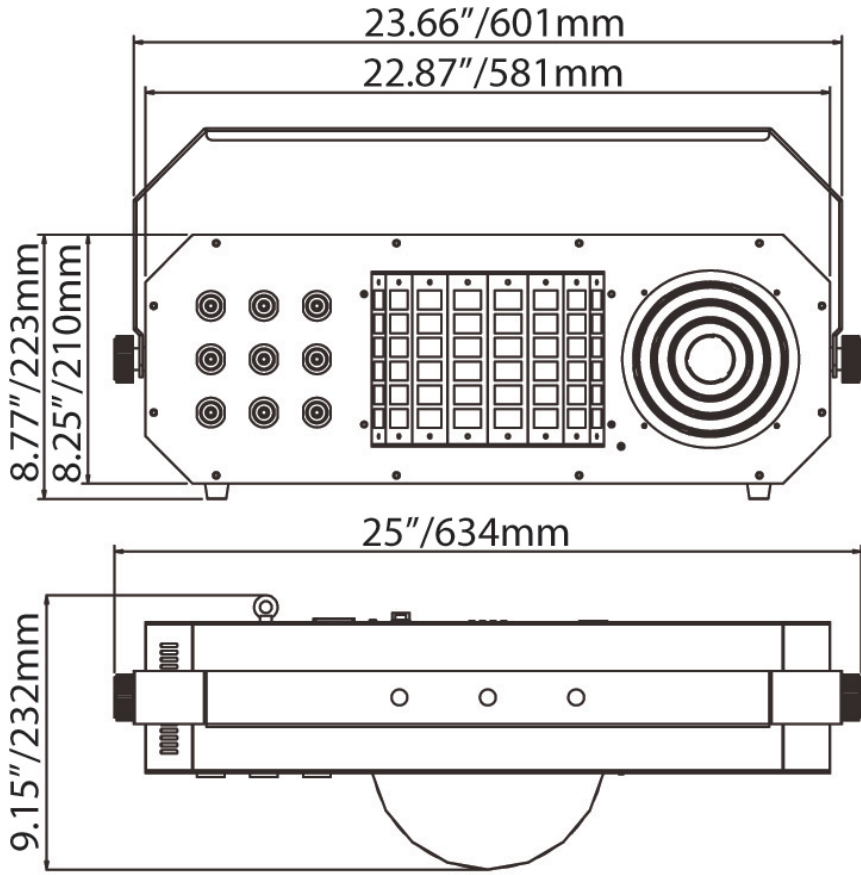
1. Function Display: Used to show the various menus and selected functions.

BUTTON	
MENU	To select the programming functions
UP	To go forward in the selected functions
DOWN	To go backward in the selected functions
ENTER	To confirm the selected functions

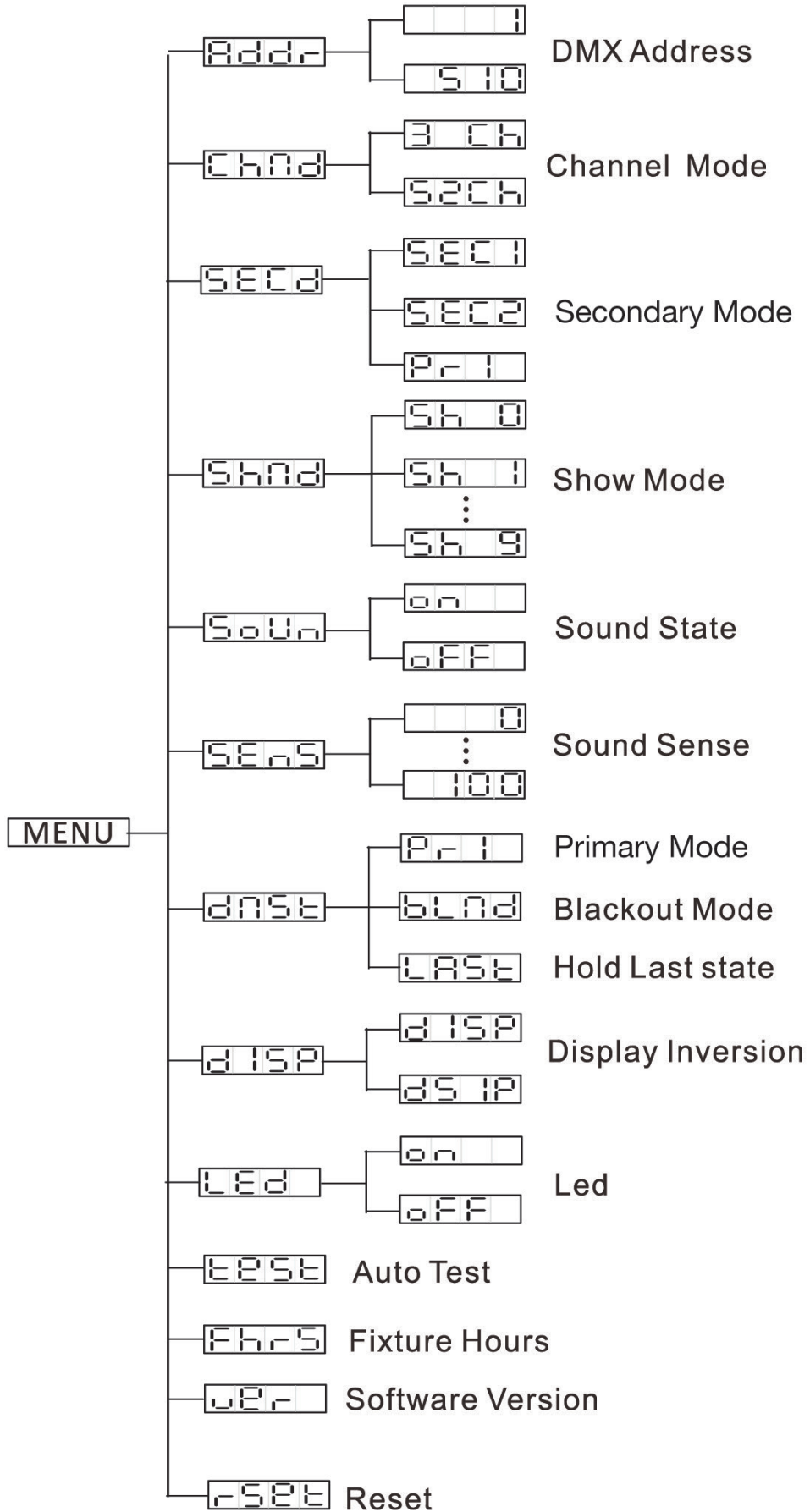
LED ON	
PRI	Primary mode
SEC	Secondary mode
SOUND	
DMX	

2. Power On/Off: To turn on/off the fixture.
3. DMX In/Out: For DMX512 links, use 3-pin XLR plug cable to link the units together.
4. Fuse (T2A): Protect the unit from damage due to over current.
5. Power In/Out: Used to connect to power supply or next fixture in the chain.

# CAD DRAWING



# SYSTEM MENU



## SYSTEM MENU

**System Menu:** When making adjustments, press **ENTER** to confirm your setup, then press and hold the **MENU** button for at least 3 seconds. To exit without making any adjustments, press the **MENU** button. The display will lock after 30 seconds, and can be unlocked by pressing and holding the **MENU** button for 3 seconds.

### **ADDR - DMX Address Setting.**

1. Press the either the **MENU**, **UP**, or **DOWN** buttons until “ADDR” is displayed, then press **ENTER**.
2. The current address will now be displayed and flashing. Press the **UP** or **DOWN** buttons to find your desired address. Press **ENTER** to set your desired DMX address.

### **CHND - This will let select your desired DMX channel mode.**

1. Press the **MENU** button until “CHND” is displayed, then press **ENTER**. The current DMX channel mode will be displayed.
2. Press the **UP** or **DOWN** buttons to find your desired DMX channel mode, then press **ENTER** to confirm and exit.

### **SECD - This will let you set unit as a primary or secondary in a primary/secondary configuration.**

1. Press the **MENU** button until “SECD” is displayed, then press **ENTER**. Either “PRI”, “SEC 1”, or “SEC 2” will be displayed.
2. Press the **UP** or **DOWN** buttons until your desired setting is displayed, and press **ENTER** to confirm.

**NOTE:** In a Primary-Secondary configuration, if one fixture is set to Primary and the next is set to “SEC 2”, the fixtures will now have contrasting movement to each other.

### **SHND - Show modes 0-9 (Factory programs).**

1. Press the **MENU** button until “SHND” is displayed, then press **ENTER**.
2. “Sh X” will now be displayed, “X” representing a number between 0-6. Shows 1-6 are factory programs, while show “0” is random mode. Use the **UP** or **DOWN** buttons to find your desired show.
3. When you have found your desired show, press **ENTER**, then press and hold the **MENU** button for at least 3 seconds to activate. After you have set your desired show, it can be changed at any time using the **UP** or **DOWN** buttons.

### **SOUN - Sound Active mode.**

1. Press the **MENU** button until “SOUN” is displayed, then press **ENTER**.
2. The display will show either “ON” or “OFF”. Press the **UP** or **DOWN** buttons to select “ON” to activate sound active mode, or “OFF” to deactivate sound active mode.
3. Press **ENTER** to confirm.

### **SENS - In this mode you can adjust the sound sensitivity.**

1. Press the **MENU** button until “SENS” is displayed, then press **ENTER**.
2. A number between 0-100 will be displayed. Press the **UP** or **DOWN** buttons to adjust the sound sensitivity. 0 is the least sensitive, and 100 is the most sensitive.
3. When you have found your desired setting, press **ENTER** to confirm.

## SYSTEM MENU

**DNST - This mode defines the behavior of the fixture in the event that DMX signal is lost or interrupted, or if power is lost.**

1. Press the MENU button until “DNST” is displayed, and either “MASL”, “BLND”, or “LAST” will be displayed beneath.
2. Press ENTER and the bottom choice will begin to flash. Use the UP or DOWN buttons to choose an operating mode you would like the unit to start up in when power is applied or the DMX signal is lost.
  - **LAST** - If the DMX signal is lost, the fixture will stay in the last DMX setting. If power is applied and this mode is set, the unit will automatically go into the last DMX set up.
  - **PRI (Primary-Secondary)** - If the DMX signal is lost or power is applied, the unit will automatically go into Primary-Secondary mode and run a built-in show.
  - **BLAC (Blackout)** - If the DMX signal is lost or interrupted, the unit will automatically go into stand by mode.
3. Press ENTER to confirm your desired set up.

**DISP - This function will reverse the display 180°.**

1. Press the MENU button until “DISP” is displayed, and press ENTER.
2. Press ENTER to “flip” the display. Press ENTER to “flip” it again. Press ENTER when you have made your desired setup.

**LED - With this function, the LED display can be set to turn off after 10 seconds.**

1. Press the MENU button until “LED” is displayed, then press ENTER.
2. The display will show either “ON” or “OFF”. Press the UP or DOWN buttons to select “ON” or “OFF.” “ON” will keep the LED display on at all times, while “OFF” will turn the LED display off after 10 seconds of inactivity.

**TEST - This function will run a self test program.**

1. Press the MENU button until “TEST” is displayed, then press ENTER.
2. The fixture will now run a self test.

**FHRS - This function displays the running time of the unit.**

1. Press the MENU button until “FHRS” is displayed, then press ENTER.
2. The running time of the fixture will now be displayed. Press MENU to exit.

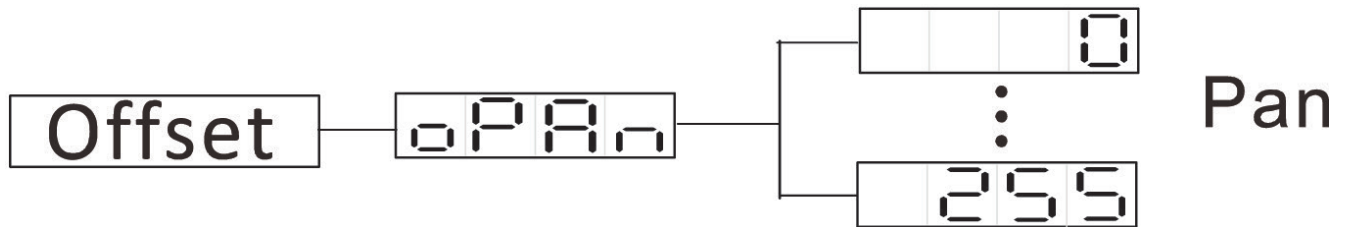
**VER - Use this function to display the Software version of the unit.**

1. Press the the MENU button until “VER” is displayed, then press ENTER.
2. The display will show the software version.

**RSET - This function will reset the unit.**

1. Press the MENU button until “RSET” is displayed. Press the ENTER button and the unit will reset itself.

## OFFSET MENU



To enter the home position adjustment menu, press and hold the ENTER button for at least 5 seconds. In this submenu you are able to adjust the original position of the beam and gobo motors and laser motors.

### **oPAn - Adjustment of the beam motor.**

1. Press and hold the ENTER button for at least 5 seconds, then press the UP or DOWN buttons so that "oPAn" is displayed. Press ENTER.
2. Use the UP and DOWN buttons to make your adjustments, and then press ENTER to confirm. Press the MENU button for one second to exit.

## OPERATION

**Universal DMX Control:** This function allows you to use a universal DMX-512 controller to control the matrix lights, moonflower rotation, strobing, and the visual ring colors. A DMX controller allows you to create unique programs tailored to your individual needs.

- The Boom Box FX3 has 2 DMX channel modes: a 3-channel mode, and a 52-channel mode. See the **DMX Traits** section of this manual for full details.
- To control your fixture in DMX mode, follow the set-up procedures described in the **DMX Setup** section of this manual, as well as the set-up specifications that are included with your DMX controller.
- Follow the instructions in the **System Menu** section of this manual to select your desired DMX channel mode and set the DMX address.
- For longer cable runs (more than a 100 feet) use a terminator on the last fixture.
- For help operating in DMX mode consult the manual included with your DMX controller.

**Sound Active Mode:** This mode allows a single unit or several units linked together to run to the beat of the music.

1. Press the MENU button until “Soun” is displayed, and press ENTER.
2. Press the UP or DOWN buttons to either activate or deactivate sound active mode, and press ENTER. The unit will now run to the beat of the music.
3. The sound sensitivity can be adjusted by pressing the MENU button until “Sens” is displayed, and then press ENTER. Use the UP or DOWN buttons to adjust the sound sensitivity, 0 being the least sensitive, and 100 being the most sensitive.

**Show Mode:** This mode allows a single unit or several units linked together to run 1 of 9 built-in shows.

1. Press the MENU button until “Shnd” is displayed, and press ENTER.
2. Press the UP or DOWN buttons to find your desired show and press ENTER. The unit will now run your chosen built-in program.

## PRIMARY-SECONDARY SET UP

This function will allow you to link up to 16 units together and operate without a controller. In a Primary-Secondary set up, one unit will act as the controlling unit and the others will react to the controlling unit's programs. Any unit can act as a Primary or as a Secondary.

1. Using approved DMX data cables, daisy chain your units together via the XLR connectors on the rear panels of the units. Remember that the Male XLR connector is the input and the Female XLR connector is the output. The first unit in the chain (primary) will use the female XLR connector only, and the last unit in the chain will use the male XLR connector only. For longer cable runs we suggest using a terminator on the last fixture.
2. On the Primary unit, press the MENU button until "SECD" is displayed, and press ENTER. Use the UP and DOWN buttons to scroll to the "PRI" setting, and press ENTER.
3. After setting the Primary unit, find and set your desired operating mode.
4. On the secondary units, press the MENU button until "SECD" is displayed, and press ENTER. Choose either "SEC1" or "SEC2" and press ENTER. See the **System Menu** section of this manual for more information.
5. The secondary units will now follow the primary unit.

## POWER CORD DAISY CHAIN

With this feature you can connect the fixtures to one another using the IEC input and output sockets.

***The maximum number of units that can be linked in this way is as follows:***

- ***8 fixtures maximum @ 120V***
- ***16 fixtures maximum @ 230V***

After the maximum amount of fixtures has been reached, a new power outlet will need to be used to accommodate any additional units. All fixtures must be of the same make and model type. DO NOT mix fixtures.



## UC IR/AIRSTREAM CONTROL

### WIRELESS SETUP

There are many factors that can affect and/or interrupt a wireless signal, including walls, glass, metal, objects, and people. Therefore, the following guidelines are recommended in order to maximize the chances of having a clear path for the wireless signal to reach the device:

- Install the device a minimum of 9.8 ft (3m) above audiences and/or ground level.
- Arrange the wireless antenna in an upright, vertical position.
- Position devices in direct line of sight of the transmitting controller.

Careful planning and testing of the selected installation location is critical to ensure optimum and reliable wireless operation.



### UC IR REMOTE

The unit should respond to commands issued from the UC IR Remote. **NOTE: The unit can only be controlled when it has been set to Primary mode. The unit will NOT respond to commands when it has been set to Secondary mode.**



## UC IR/AIRSTREAM CONTROL

### WIRELESS FUNCTIONS

The UC IR (sold separately) infrared remote gives you control of various functions (See below). To control the fixture you must aim the remote at the front of the fixture and be no more than 30 feet away.

The Boom Box FX3 is also compatible with the Airstream IR app. The IR transmitter is available through any ADJ dealer or through the ADJ parts website. Plug the transmitter into the headphone jack of your iOS phone or tablet. To control your IR fixture you must raise the volume to the maximum on your iOS phone or tablet, aim the transmitter at the front of the fixture, and be no more than 15 feet away. After you have purchased the Airstream IR transmitters, the app is a free download from the app store for your iOS phone or tablet. The app comes with 3 pages of control depending on the IR fixture you are using. Please see below for IR functions including the corresponding app page.

### *Works with App page 1.*

**STAND BY** - Pressing this button will blackout the fixture. Press the button again to return to the initial state.

**FULL ON** - Hold this button down to fully light up the unit. When the button is released, the unit will return to its previous state.

**STROBE** - No defined function on this unit.

**FADE/GOBO** - Press this button and then press one of the numeral buttons to select your desired show.

**“DIMMER +” and “DIMMER -”** - No defined function on this unit.

**COLOR** - Press this button and then press one of the numeral buttons to select your desired show.

**1-9** - Use buttons 1-9 to select your desired show when show mode is activated.

**SOUND ON & OFF** - Use the buttons to activate and deactivate sound active mode.

**SHOW 0** - Press this button to activate show 0 and show mode. Use buttons 1-9 to select your desired show.

## DMX TRAITS

CHANNEL		DMX VALUE	FUNCTION
3CH	52CH		
	1	000 - 255	<b>Matrix Red LED 1</b> , 0% to 100%
	2	000 - 255	<b>Matrix Green LED 1</b> , 0% to 100%
	3	000 - 255	<b>Matrix Blue LED 1</b> , 0% to 100%
	4	000 - 255	<b>Matrix Red LED 2</b> , 0% to 100%
	5	000 - 255	<b>Matrix Green LED 2</b> , 0% to 100%
	6	000 - 255	<b>Matrix Blue LED 2</b> , 0% to 100%
	7	000 - 255	<b>Matrix Red LED 3</b> , 0% to 100%
	8	000 - 255	<b>Matrix Green LED 3</b> , 0% to 100%
	9	000 - 255	<b>Matrix Blue LED 3</b> , 0% to 100%
	10	000 - 255	<b>Matrix Red LED 4</b> , 0% to 100%
	11	000 - 255	<b>Matrix Green LED 4</b> , 0% to 100%
	12	000 - 255	<b>Matrix Blue LED 4</b> , 0% to 100%
	13	000 - 255	<b>Matrix Red LED 5</b> , 0% to 100%
	14	000 - 255	<b>Matrix Green LED 5</b> , 0% to 100%
	15	000 - 255	<b>Matrix Blue LED 5</b> , 0% to 100%
	16	000 - 255	<b>Matrix Red LED 6</b> , 0% to 100%
	17	000 - 255	<b>Matrix Green LED 6</b> , 0% to 100%
	18	000 - 255	<b>Matrix Blue LED 6</b> , 0% to 100%
	19	000 - 255	<b>Matrix Red LED 7</b> , 0% to 100%
	20	000 - 255	<b>Matrix Green LED 7</b> , 0% to 100%
	21	000 - 255	<b>Matrix Blue LED 7</b> , 0% to 100%
	22	000 - 255	<b>Matrix Red LED 8</b> , 0% to 100%
	23	000 - 255	<b>Matrix Green LED 8</b> , 0% to 100%
	24	000 - 255	<b>Matrix Blue LED 8</b> , 0% to 100%
	25	000 - 255	<b>Matrix Red LED 9</b> , 0% to 100%
	26	000 - 255	<b>Matrix Green LED 9</b> , 0% to 100%
	27	000 - 255	<b>Matrix Blue LED 9</b> , 0% to 100%
	28		<b>Matrix Strobe</b>
		000 - 007	Close
		008 - 015	Open
		016 - 131	Strobing, slow to fast
		132 - 139	Open
		140 - 181	Fast Close, Slow Open
		182 - 189	Open
		190 - 231	Fast Open, Slow Close
CONTINUED ON NEXT PAGE			

## DMX TRAITS

CHANNEL		DMX VALUES	FUNCTION
3CH	52CH		
	28		<b>Matrix Strobe (continued)</b>
		232 - 239	Open
		240 - 247	Random Strobing
		248 - 255	Open
	29	000 - 255	<b>Matrix Master Dimmer, 0% to 100%</b>
	30	000 - 255	<b>Beamer Red LED</b>
	31	000 - 255	<b>Beamer Green LED</b>
	32	000 - 255	<b>Beamer Blue LED</b>
	33	000 - 255	<b>Beamer White LED</b>
	34		<b>Beamer Strobe</b>
		000 - 007	Close
		008 - 015	Open
		016 - 131	Strobing, slow to fast
		132 - 139	Open
		140 - 181	Fast Close, Slow Open
		182 - 189	Open
		190 - 231	Fast Open, Slow Close
		232 - 239	Open
		240 - 247	Random Strobing
		248 - 255	Open
	35	000 - 255	<b>Beamer Master Dimmer, 0% to 100%</b>
	36	000 - 255	<b>Beamer Motor Movement</b>
	37	000 - 255	<b>Beamer Motor Speed, slow to fast</b>
	38	000 - 255	<b>1st Ring, Red LED, 0% to 100%</b>
	39	000 - 255	<b>1st Ring, Green LED, 0% to 100%</b>
	40	000 - 255	<b>1st Ring, Blue LED, 0% to 100%</b>
	41	000 - 255	<b>2nd Ring, Red LED, 0% to 100%</b>
	42	000 - 255	<b>2nd Ring, Green LED, 0% to 100%</b>
	43	000 - 255	<b>2nd Ring, Blue LED, 0% to 100%</b>
	44	000 - 255	<b>3rd Ring, Red LED, 0% to 100%</b>
	45	000 - 255	<b>3rd Ring, Green LED, 0% to 100%</b>
	46	000 - 255	<b>3rd Ring, Blue LED, 0% to 100%</b>
	47	000 - 255	<b>4th Ring, Red LED, 0% to 100%</b>
	48	000 - 255	<b>4th Ring, Green LED, 0% to 100%</b>
	49	000 - 255	<b>4th Ring, Blue LED, 0% to 100%</b>

CONTINUED ON NEXT PAGE

## DMX TRAITS

CHANNEL		DMX VALUES	FUNCTION
3CH	52CH		
1	50		<b>Show Mode</b>
		000 - 069	No Function
		070 - 079	Show 1
		080 - 089	Show 2
		090 - 099	Show 3
		100 - 109	Show 4
		110 - 119	Show 5
		120 - 129	Show 6
		130 - 139	Show 7
		140 - 209	Show 8
		210 - 249	Show 9
		250 - 255	Show 0
		2	51
3	52		<b>Special Functions</b>
		000 - 139	No Function
		140 - 209	Reset All
		210 - 249	No Function
		250 - 255	Sound Active

## FUSE REPLACEMENT

Disconnect the unit from its power source, and remove the power cord from the unit. The fuse holder is located next to the I.E.C. power connection. Use a phillips head screw-driver to remove the fuse holder, then remove the fuse located inside the fuse holder and replace with the new fuse. Install the fuse holder and new fuse and secure it.

## CLEANING

Due to fog residue, smoke, and dust, cleaning of the internal and external optical lenses and mirror should be carried out periodically to optimize light output. Cleaning frequency depends on the environment in which the fixture operates (i.e. smoke, fog residue, dust, dew). In heavy club use, we recommend cleaning on a monthly basis. Periodic cleaning will ensure longevity and crisp output.

- Use normal glass cleaner and a soft cloth to wipe down the outside casing.
- Use a brush to wipe down the cooling vents and fan grill.
- Clean the external optics and mirror with glass cleaner and a soft cloth every 20 days.
- Clean the internal optics with glass cleaner and a soft cloth every 30-60 days.
- Always be sure to dry all parts completely before plugging the unit back in.

## TROUBLE SHOOTING

Trouble Shooting: Listed below are a few common problems that you may encounter, with potential solutions.

### ***No light output from the unit:***

- Check that the external fuse has not blown. The fuse is located on the rear panel of the unit.
- Check that the fuse holder is fully seated.

### ***Unit does not respond to sound:***

- Low frequencies (bass) should cause the unit to react to sound. Tapping on the microphone or quiet or high pitched sounds may not activate the unit.
- Check the sound sensitivity level.

## LIMITED WARRANTY (USA ONLY)

- A. ADJ Products, LLC hereby warrants, to the original purchaser, ADJ Products, LLC products to be free of manufacturing defects in material and workmanship for a prescribed period from the date of purchase (see specific warranty period on reverse). This warranty shall be valid only if the product is purchased within the United States of America, including possessions and territories. It is the owner's responsibility to establish the date and place of purchase by acceptable evidence, at the time service is sought.
- B. For warranty service, you must obtain a Return Authorization number (RA#) before sending the product back—please contact ADJ Products, LLC Service Department at 800-322-6337. Send the product only to the ADJ Products, LLC factory. All shipping charges must be prepaid. If the requested repairs or service (including parts replacement) are within the terms of this warranty, ADJ Products, LLC will pay return shipping charges only to a designated point within the United States. If the entire instrument is sent, it must be shipped in its original package and packaging material. No accessories should be shipped with the product. If any accessories are shipped with the product, ADJ Products, LLC shall incur no liability whatsoever for loss of or damage to any such accessories, nor for the safe return thereof.
- C. This warranty is void if the product serial number and/or labels are altered or removed; if the product is modified in any manner which ADJ Products, LLC concludes, after inspection, affects the reliability of the product; if the product has been repaired or serviced by anyone other than the ADJ Products, LLC factory unless prior written authorization was issued to purchaser by ADJ Products, LLC; if the product is damaged because it was not properly maintained as set forth in the product instructions, guidelines and/or user manual.
- D. This is not a service contract, and this warranty does not include maintenance, cleaning, or periodic checkup. During the period specified above, ADJ Products, LLC will replace defective parts at its expense with new or refurbished parts, and will absorb all expenses for warranty service and repair labor by reason of defects in material or workmanship. The sole responsibility of ADJ Products, LLC under this warranty shall be limited to the repair of the product, or replacement thereof, including parts, at the sole discretion of ADJ Products, LLC. All products covered by this warranty were manufactured after August 15, 2012, and bear identifying marks to that effect.
- E. ADJ Products, LLC reserves the right to make changes in design and/or improvements upon its products without any obligation to include these changes in any products theretofore manufactured.
- F. No warranty, whether expressed or implied, is given or made with respect to any accessory supplied with products described above. Except to the extent prohibited by applicable law, all implied warranties made by ADJ Products, LLC in connection with this product, including warranties of merchantability or fitness, are limited in duration to the warranty period set forth above. And all warranties, whether expressed or implied, including warranties of merchantability or fitness, are limited in duration to the warranty period set forth above. The consumer's and/or dealer's sole remedy shall be such repair or replacement as is expressly provided above; and under no circumstances shall ADJ Product, LLC be liable for any loss and/or damage, direct and/or consequential arising out of the use of, and/or inability to use this product.
- G. This warranty is the only written warranty applicable to ADJ Products, LLC products, and supersedes all prior warranties and written descriptions of warranty terms and conditions heretofore published.

### MANUFACTURER'S LIMITED WARRANTY PERIODS:

- Non-LED Lighting Products = 1-Year (365 Days) (Including Special Effect Lighting, Intelligent Lighting, UV lighting, Strobes, Fog Machines, Bubble Machines, Mirror Balls, Par Cans, Trussing, Lighting Stands, Power/Data Distribution, etc. excluding LED and lamps)
- Laser Products = 1-Year (365 Days) (excluding laser diodes which have a 6-Month Limited Warranty)
- LED Products = 2-Year (730 Days) (excluding batteries which have a 180 Day Limited Warranty)
- NOTE: 2-Year (730 Days) Limited Warranty ONLY applies to product purchased within the United States. StarTec Series = 1-Year (365 Days) (excluding batteries which have a 180 Day Limited Warranty)
- ADJ DMX Controllers = 2 Year (730 Days)
- American Audio Products = 1 Year (365 Days)

## SPECIFICATIONS

<b>Model:</b>	Boom Box FX3
<b>Voltage:</b>	100V ~ 240V, 50/60Hz
<b>LED:</b>	88 x 0.2W RGB 3-in-1 LEDs 9 x 3W RGB 3-in-1 LEDs 2 x 10W 4-in-1 RGBW LEDs
<b>Power Draw:</b>	75W
<b>Fuse:</b>	2A
<b>Power Cord Daisy Chain:</b>	8 Fixtures Max (120V) 16 Fixtures Max (230V)
<b>Dimensions:</b>	9.15" (L) x 22.87" (W) x 8.77" (H) 232mm x 581mm x 223mm (w/o bracket) 9.15" (L) x 23.66" (W) x 12.32" (H) 232mm x 601mm x 313mm (w/ bracket)
<b>Weight:</b>	14 lbs. / 6.5 kgs.
<b>Duty Cycle:</b>	None
<b>DMX Channels:</b>	2 DMX Modes: 3-channel or 52-channel
<b>Sound Active:</b>	Yes
<b>Working Position:</b>	Any Safe, Secure Position
<b>Warranty:</b>	1 Year (365 Days)

*Please Note: Specifications and improvements in the design of this unit and this manual are subject to change without any prior written notice.*

ADJ Products, LLC  
6122 S. Eastern Ave. Los Angeles, CA 90040 USA  
Tel: 323-582-2650 / Fax: 323-725-6100  
Web: [www.adj.com](http://www.adj.com) / E-mail: [info@americandj.com](mailto:info@americandj.com)

### Follow Us!



[Facebook.com/adjlighting](https://www.facebook.com/adjlighting) [Twitter.com/adjlighting](https://twitter.com/adjlighting)  
[YouTube.com/adjlighting](https://www.youtube.com/adjlighting) [Instagram: adj\\_lighting](https://www.instagram.com/adj_lighting)

A.D.J. Supply Europe B.V.  
Junostraat 2  
6468 EW Kerkrade  
The Netherlands  
[service@adjgroup.eu](mailto:service@adjgroup.eu) / [www.adj.com](http://www.adj.com)  
Tel: +31 45 546 85 00 / Fax: +31 45 546 85 99





