



# Attero Tech by QSC Axon C1

Single-Gang Networked Audio  
Controller

### Features

- Ethernet-based control solution for the Q-SYS Ecosystem and other third-party AV products supporting UDP, TCP/IP control
- Available Q-SYS control plugin - no programming required
- Menu customization with unIFY Control Panel and control mapping with Q-SYS Designer plugin
- High-Contrast OLED display provides easy-to-read menus and status
- Simple controls facilitate simple user experience over assigned AV system functions
- Assignable LED light bar, provides optional feedback for zone level and system state
- In-wall, single gang design allows simple and unobtrusive installation
- Minimalist design includes both black and white Decora faceplates to provide aesthetic appeal to a variety of venues
- PoE powered - simple, single CAT-5e/CAT-6 cable installation



### Applications: Hospitality AV • Retail AV • Education • Corporate AV

The Axon C1 is an assignable control solution for networked AV systems. The C1 features small form factor, single gang Decora in-wall design with an OLED display and rotary encoder for simple AV system control of volume, mute and preset recall. The C1 integrates seamlessly into the Q-SYS Ecosystem and features a control plugin that removes the need for custom programming during integration. Given its flexible nature, the C1 is capable of controlling virtually any Ethernet-based, third-party audio DSP or AV equipment.

### Overview:



# Axon C1 Details

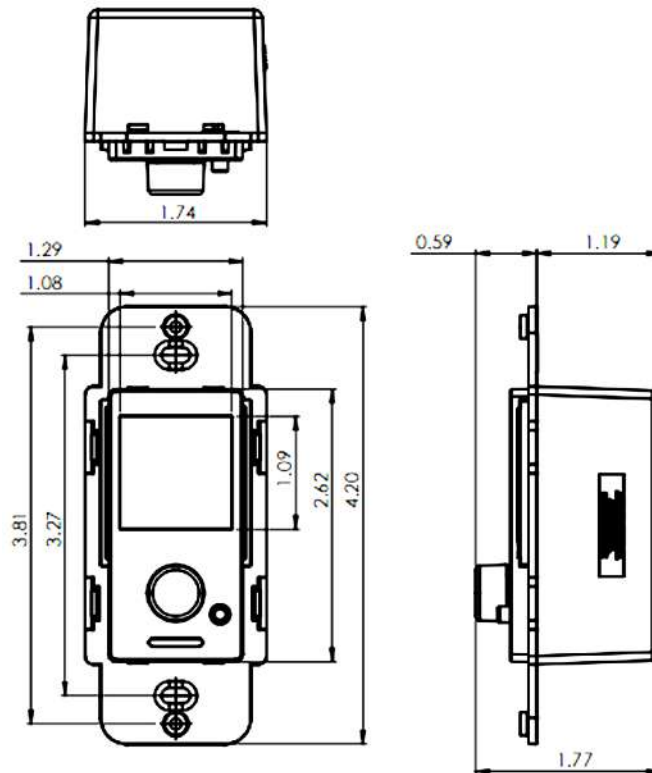
## Control & Display

System Details	Axon C1
User interface	One rotary / pushbutton encoder knob; one pushbutton toggle selector
Display type	1.5 in (38.1 mm) diagonal high-contrast OLED display
Status indicator	RGB LED bar, adjustable brightness

## Specifications

System Details	Axon C1
Network physical layer	Ethernet
Network connector(s)	RJ-45
Network transmission speed	100 Mbps
PoE power	802.3af Class 0
Power consumption	< 2 W Max
Device width	1.74 in (44.19 mm)
Device height	4.2 in (106.68 mm)
Device depth	1.77 in (44.96 mm) In-wall: 1.19 in (30.23 mm)
Device weight	0.25 lbs (0.113 kg)
Certifications	FCC Part 15, Subpart B, Class A EMC CE (EN55032 EMC / EN55035 ESD) WEEE RoHS REACH
Operating temperature	0° C to 40° C

## Dimensions:



# Axon C1 Details

## Application Example: hotel conference rooms/banquet halls

The Axon C1 wall controllers provide simple zone control in commercial venues, such as hotel meeting and event centers, where the audio is often managed by a network AV system. Ethernet connectivity, and the ability to tailor the menu content for the venue provides a cost effective control solution with powerful simplicity.

