

- NOTES:**
1. THE CUSTOM INTERFACE BRACKET REQUIRED FOR YOUR FLAT PANEL (NOT SHOWN) WILL ADD BETWEEN 1/2" AND 2" IN DEPTH AND MAY AFFECT THE LOCATION OF THE FLAT PANEL ON THE MOUNT.
  2. ALLOW FOR A MINIMUM OF 1.5" OVERHANG ON ALL SIDES OF SHELF BELOW FLAT PANEL.
  3. ALSO SEE PSB-XXXX DRAWING (CUSTOM INTERFACE BRACKET) TO CALCULATE CORRECT FLAT PANEL LOCATION.
  4. FLAT PANEL HEIGHT MUST BE USED TO CALCULATE MINIMUM STORAGE AREA HEIGHT.



**CHIEF MANUFACTURING INC.**  
**PRODUCT ORDER NUMBER IS: CM2C40**  
**PHONE: 1-800-582-6480**

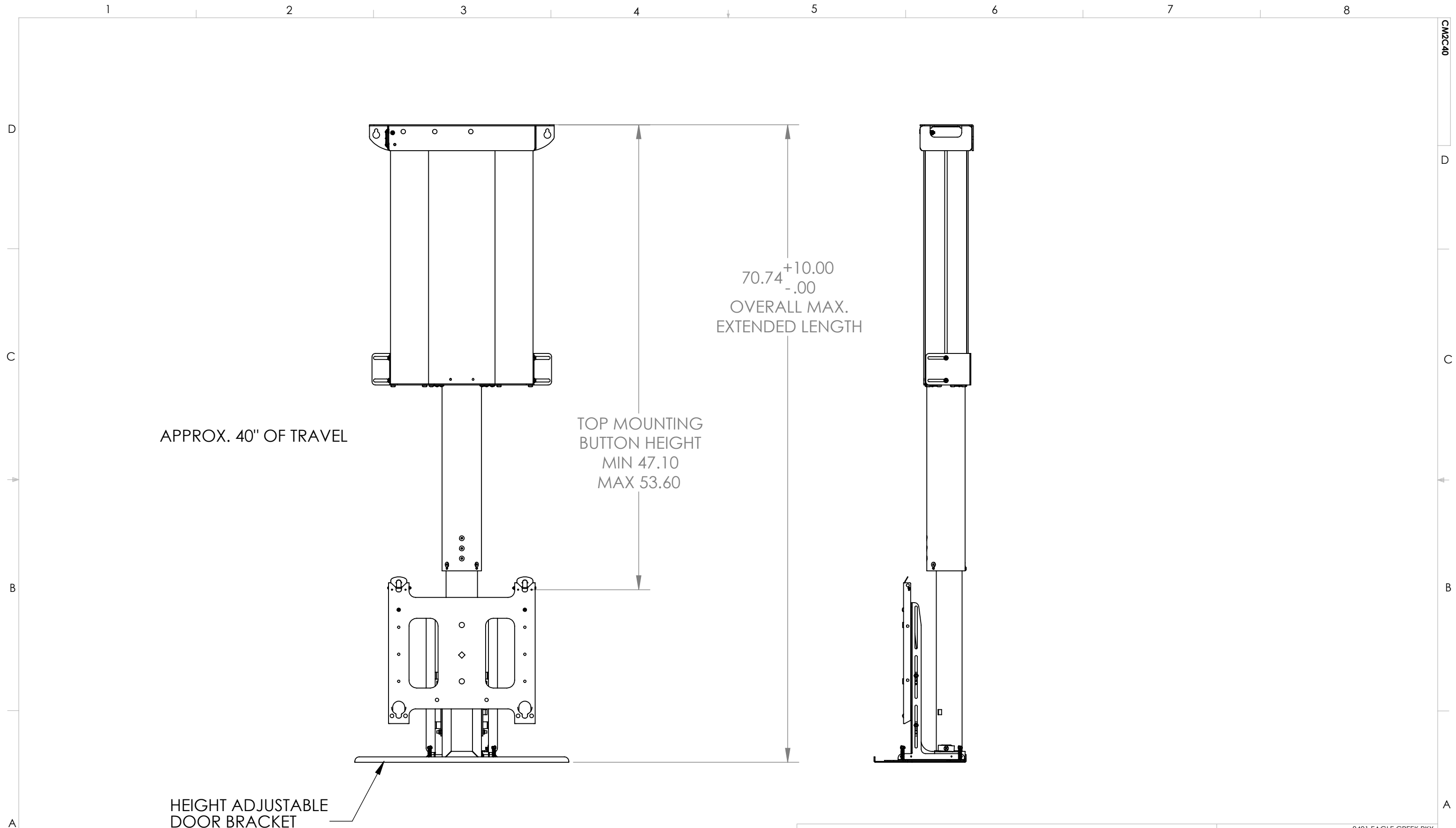
SHEET SCALE = 1:12

**THE INFORMATION AND DESIGNS CONTAINED IN THIS DRAWING ARE CONFIDENTIAL AND THE PROPRIETARY PROPERTY OF MILESTONE AV TECHNOLOGIES NEITHER THIS DESIGN NOR ANY INFORMATION CONTAINED IN THIS DRAWING MAY BE REPRODUCED OR DISCLOSED TO OTHERS WITHOUT THE EXPRESS WRITTEN CONSENT OF MILESTONE AV TECHNOLOGIES.**

**CHIEF**  
 8401 EAGLE CREEK PKY  
 SUITE #700  
 SAVAGE, MN 55378  
 PHONE: 952-894-6280  
 FAX: 877-894-6918

TITLE  
**CUSTOMER PRINT  
 CM2C40**

SIZE | DWG. NO.  
**B | CM2C40**



**CHIEF MANUFACTURING INC.**  
**PRODUCT ORDER NUMBER IS: CM2C40**  
**PHONE: 1-800-582-6480**

SHEET SCALE = 1:10

**THE INFORMATION AND DESIGNS CONTAINED IN THIS DRAWING ARE CONFIDENTIAL AND THE PROPRIETARY PROPERTY OF MILESTONE AV TECHNOLOGIES NEITHER THIS DESIGN NOR ANY INFORMATION CONTAINED IN THIS DRAWING MAY BE REPRODUCED OR DISCLOSED TO OTHERS WITHOUT THE EXPRESS WRITTEN CONSENT OF MILESTONE AV TECHNOLOGIES.**



8401 EAGLE CREEK PKY  
 SUITE #700  
 SAVAGE, MN 55378  
 PHONE: 952-894-6280  
 FAX: 877-894-6918

TITLE  
**CUSTOMER PRINT**  
**CM2C40**

SIZE DWG. NO.  
**B CM2C40**