

The CS-304 outdoor speaker features stainless steel hardware for all-weather durability. It is designed to offer the high intelligibility of weather-resistant horns combined with the high sound quality of dynamic speakers. The CS-304 employs the rotary switch that facilitates impedance changes. It also employs a constant directivity horn for clear sound output over its horizontal range of 90° operation.

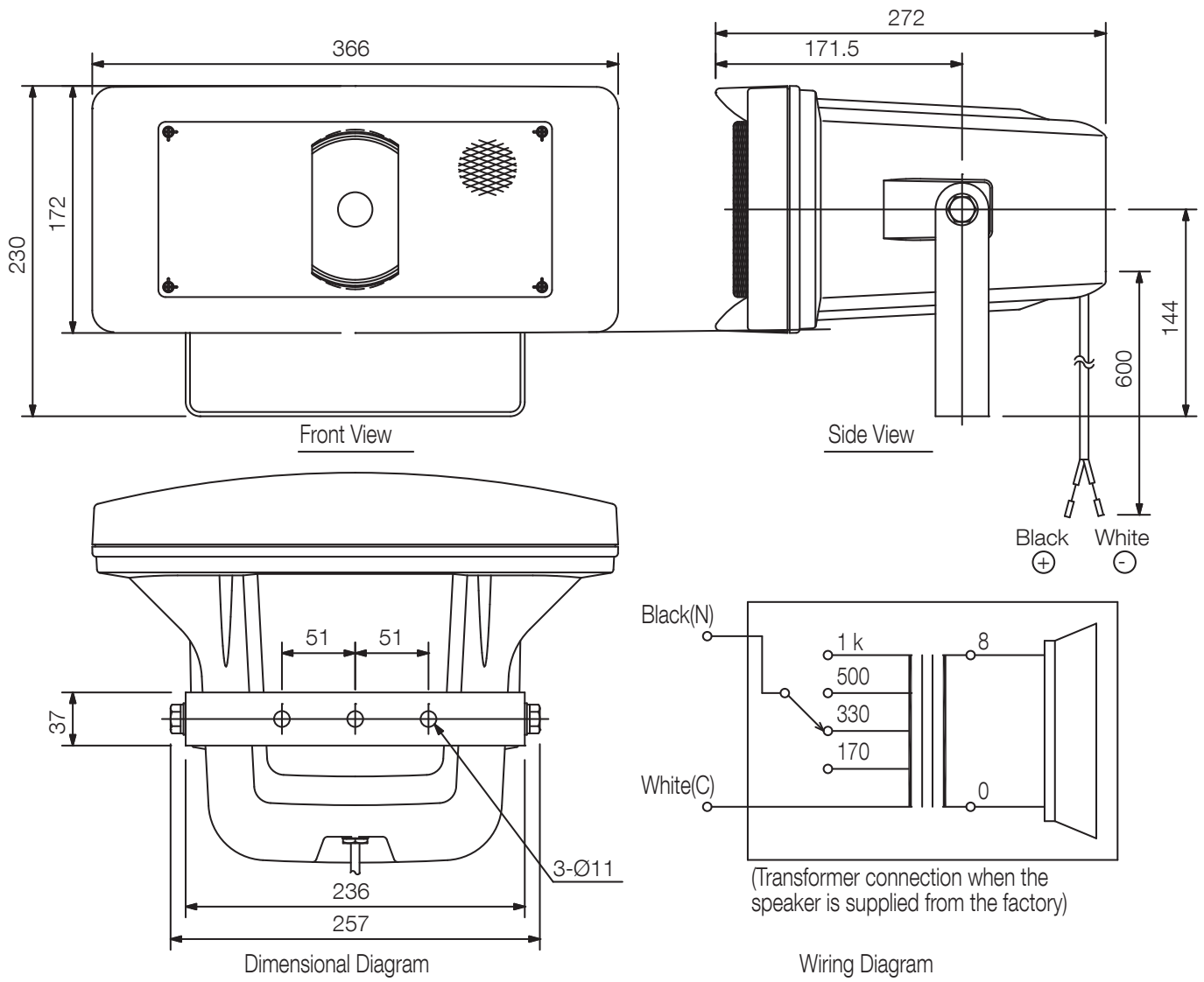


Order no: CS-304 EU

### Specifications

Frequency response	120 Hz - 15 kHz
Sensitivity (1#V, 1#n)	98 dB
Speaker component	12 cm cone-type
Directivity angle horizontal	90 °
Rated input (High Impedance)	30 W
Tappings	100 V : 330 Ω (30 W) / 500 Ω (20 W) / 1 kΩ (10 W) 70 V : 170 Ω (30 W) / 330 Ω (15 W) / 500 kΩ (10 W) / 1 kΩ (5 W)
Dimensions (W x H x D)	366 x 230 x 272 mm
Dimensions (ø x D)	x 272 mm
Finish	ABS resin, paint, off-white (RAL 9010 or equivalent) Bracket: Stainless steel
Operating temperature	-10 °C to +55 °C

### Appearance



UNIT:mm

SCALE:1/5