

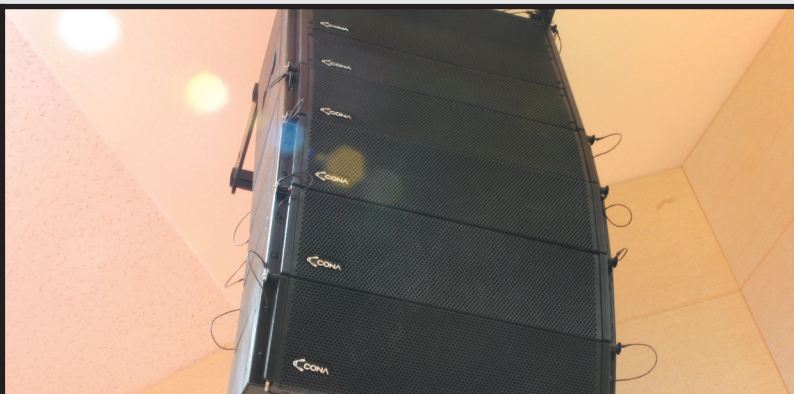
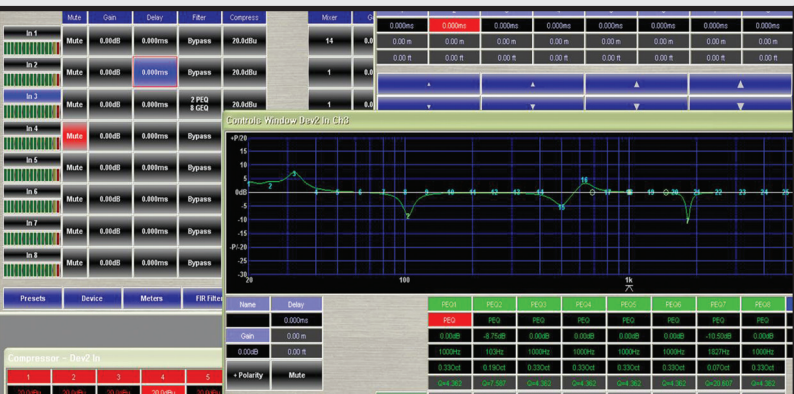
CSP 4.8

Digital Signal Processor

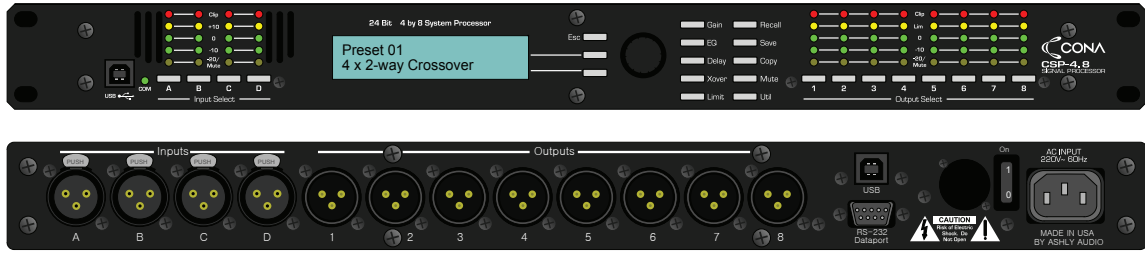


features

- DSP function
(8band PEQ, 31band GEQ, Delays, Mixer, Input-Compressor, In / Output-Crossover, RMS-Limiter)
- Backlite 2 x 16 character LCD display
- 24 bit, 48kHz delta-Sigma A/D converters with 128x oversampling
- PC control of the unit through a USB jack
- CSP-Series software
- 1U Rack Size
- Intuitive user interface

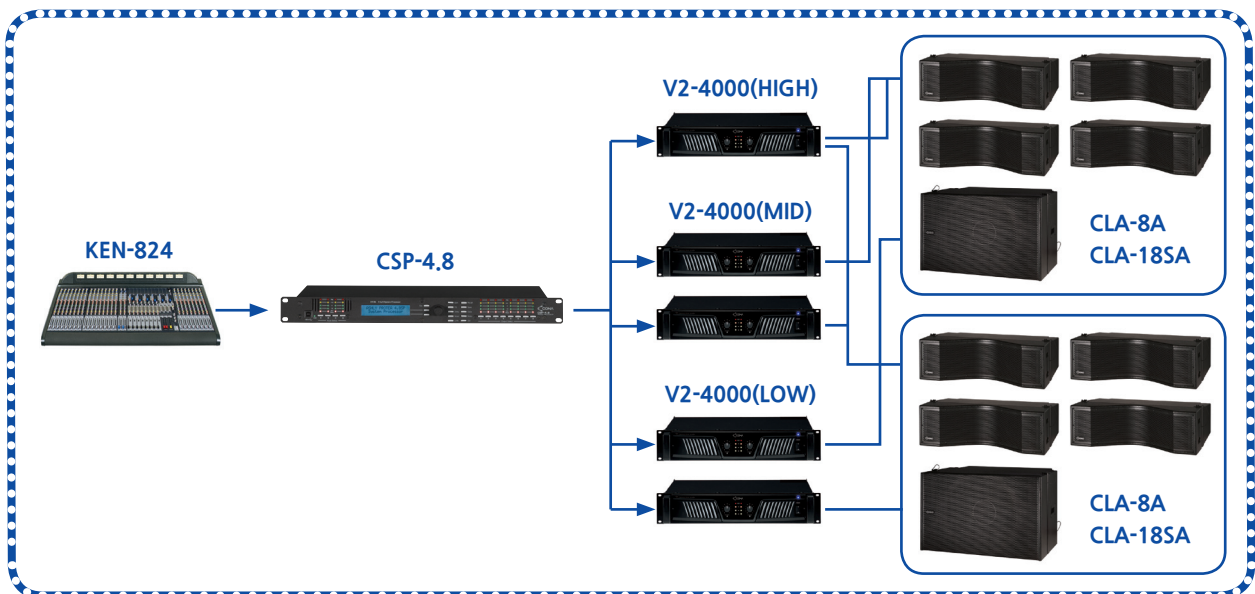


CSP-4.8



- 4 in, 8 out Digital Signal Processor
- Intuitive user interface
- DSP Function : Gain, Parametric EQ, Filter, Time delay, Crossover, Compressor, Limiter, Matrix
- Free In / Out assign
- Control by front panel or PC
- USB, RS232 interface
(Apply to PC control and Preset value provided front panel USB port)
- XLR balance audio in / output
- In / Output Delay adjustable to 682ms
- 24 bit, 48 khz delta-sigma A/D Converter
- 2 x 20 Character LCD Front Panel - Channel, Function setting
- Offer software only for CSP 4.8
- 1U size

Application



Inter-M Corporation (IMK)

653-5 Banghak-Dong, Dobong-Ku, Seoul, Korea

Overseas Sales Team

Tel : +82-2-2289-8141~7 / Fax : +82-2-2289-8149 / E-mail : overseas@inter-m.com

♣ Specifications and design subject to change without notice.