

# COMPACT CABINET SUBWOOFER

## D8

### Overview

The Sonance D8 subwoofer features two powerful opposable 8" square drivers, wireless connectivity and our SONARC for subwoofers DSP technology, all within a sleek ultra-compact cabinet.

### Key Features

#### Aesthetics

- Extruded aluminum enclosure
- Smallest dual 8" subwoofer on the market to date
- Extruded Aluminum cabinet with a matte black or matte white finish
- Cloth grilles

#### Performance

- Counter Vibration Control
- Built-in wireless receiver
- 16 bands of automatic EQ

#### Installation

- Easy set up
- App driven room correction software
- Options to connect using line level inputs, speaker level inputs, or Sonance built in wireless receiver (wireless transmitter sold separately)



D8 BLK

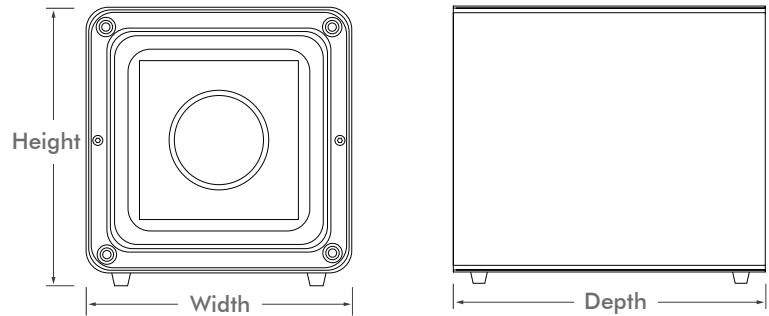


D8 WHT



## Dimensions

Width:	7 1/2" (191mm)
Height:	8" (203mm)
Depth:	9" (229mm)



## Specifications

<b>Model:</b>	D8
<b>SKU:</b>	Black 93359, White 93374
<b>Unit of Measure:</b>	Each
<b>Woofers:</b>	Two 8" (203mm) ultra long throw, glass fiber cone, rubber surround
<b>Frequency Response:</b>	32Hz - 250Hz $\pm$ 3dB
<b>Enclosure Material:</b>	Extruded aluminum with a matte black finish or a matte white finish
<b>Power Output:</b>	300 watts RMS (600 watts peak)
<b>Inputs:</b>	Line-level, speaker-level and low latency wireless
<b>Controls:</b>	Crossover, phase and bypass
<b>Room Correction Setup:</b>	App controlled Sonarc automatic in-room equalization
<b>Grille Material:</b>	Black cloth grilles (BLK) or gray cloth grilles (WHT)
<b>Shipping Weight:</b>	13.85 lbs (6.30kg)

## Recommended Products



### Wireless Transmitter

SKU 93360

### LIMITED TWO (2) YEAR WARRANTY

Sonance warrants to the first end-user purchaser that this Sonance-brand product ("Product"), when purchased from an authorized Sonance Dealer/Distributor, will be free from defective workmanship and materials for the period stated below. Sonance will, at its option and expense, either repair the defect or replace the Product with a new or remanufactured Product or a reasonable equivalent. **Please visit our website and owner's e-Manual for complete warranty and exclusion information.**



©2018 Sonance. All rights reserved.

Sonance and Visual Performance are registered trademarks of Dana Innovations.

Due to continuous product improvement, all features and specifications are subject to change without notice.

For the latest Sonance product specification information visit our website: [www.sonance.com](http://www.sonance.com)

SONANCE • 991 Calle Amanecer • San Clemente, CA 92673 USA  
 (949) 492-7777 • FAX: (949) 361-5151 • Technical Support: (949) 492-7777  
[www.sonance.com](http://www.sonance.com)