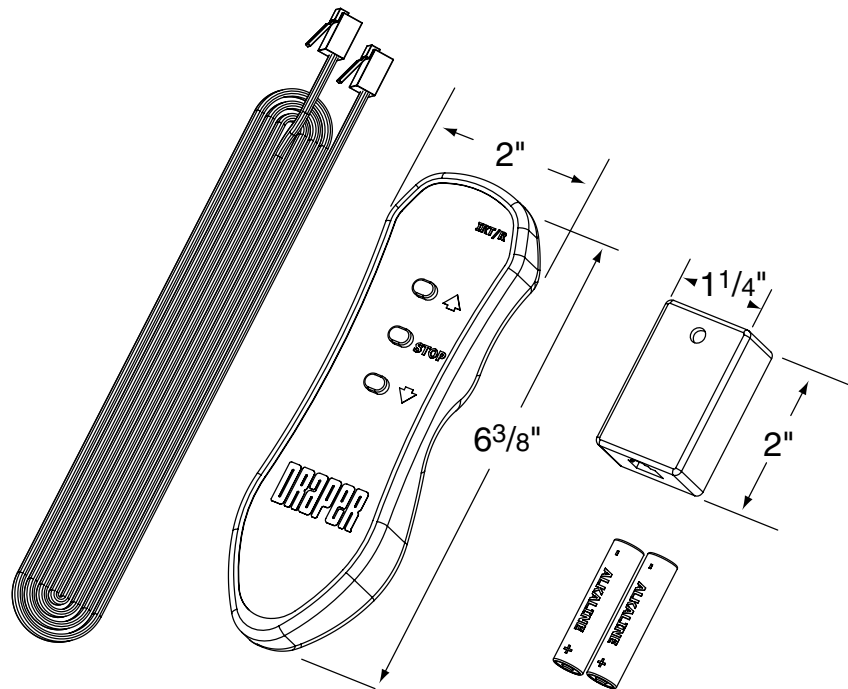


Technical Data Sheet

Lift IR Kit—Infrared Transmitter/Receiver By Draper

- USES:** Up, Down and Stop control of a Lift Low Voltage Control via IR (infrared).
- COMPATIBILITY:** The Lift IR Kit can be used with either the Lift Low Voltage Control. Other controls may be connected to the Lift Low Voltage Control simultaneously:
a. Lift LV Switch low voltage wall switch (or Auxiliary control systems employing "dry" contacts).
b. Lift RF Kit radio frequency remote control package (splitter required).
With the Lift Low Voltage Control, for simultaneous use of an IR and RF splitter is required. The Lift IR Kit operates on a proprietary IR protocol.
The Lift IR Transmitter part of this package is available as a replacement part.
- CONTACTS:** None. This package merely consists of the transmitter and receiver. The contacts are part of the Lift Low Voltage Control.
- RATING:** Not available. The Lift IR Kit operates on IR protocol.
- DESCRIPTION:** The Lift IR Kit is a package consisting of a receiver and hand-held transmitter which control a Lift Low Voltage Control via infrared. Its range with fresh batteries is approx. 50 feet. The 1-channel transmitter is approx. 2" wide, 6³/₈" long, and 1" thick. Operates on two AAA batteries (included). The receiver is approx. 1¹/₄" x 2" x ³/₄", with a 10' long data cable, which plugs into a standard RJ-11 plug on the Lift Low Voltage Control. It must be located within sight of the transmitter user.
- PART NUMBERS:** 121251—Lift IR Kit Transmitter and Receiver
121250—Lift IR Transmitter only

ILLUSTRATION:



DRAPER

