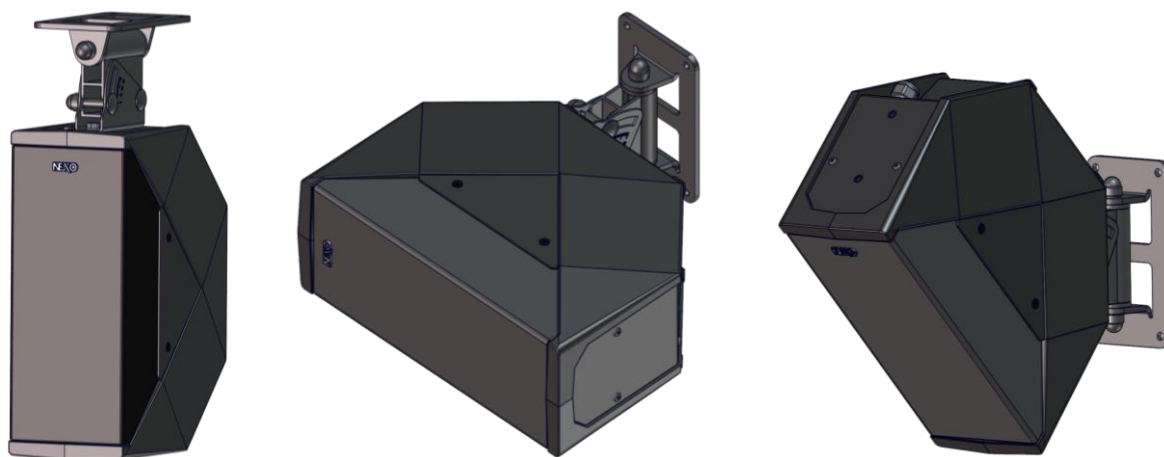
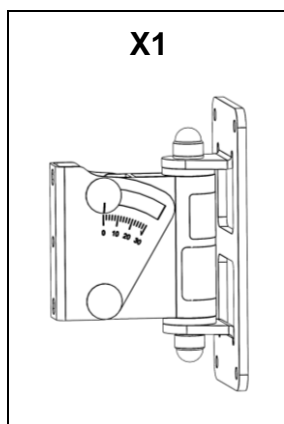


Speaker Wall Mount. 0°- 30°

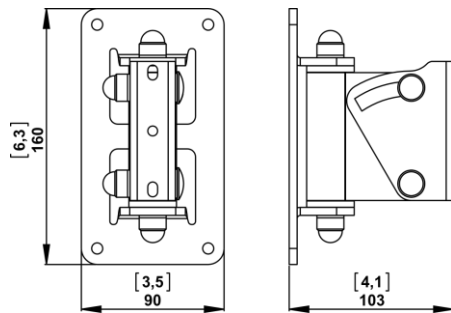


Contents:



Weight: 0.5 kg / 1.1 lb

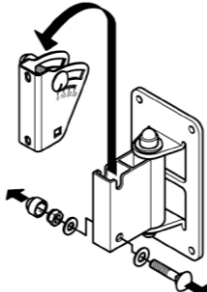
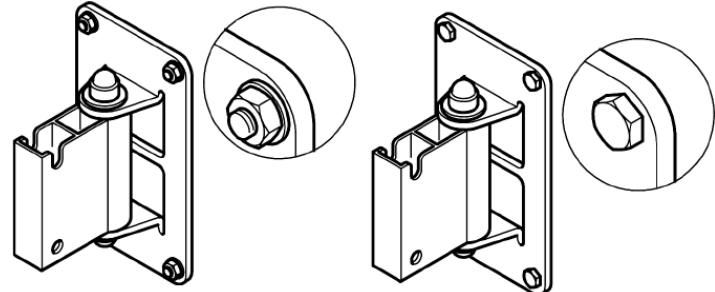
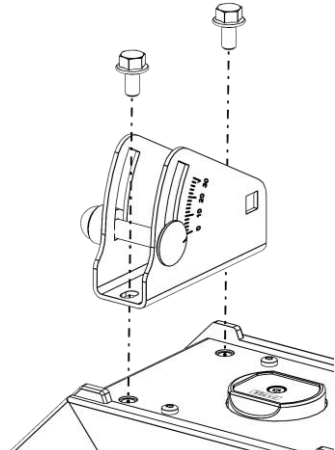
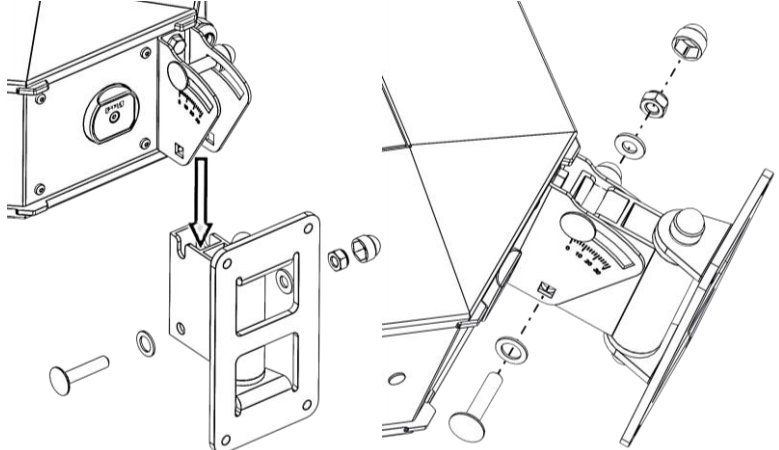
Dimensions:



Safety Notes:

- Max load capacity: 15kg / 33lb.
- For use only by trained installers.
- For use only at proper walls with adequate anchors.
- Inspect bolted assemblies periodically.
- For indoor use only.

Use:

Separate speaker holder from wall plate.	Screw the bracket to the wall (fasteners are not supplied).
	
Screw speaker plate to Nexo Speaker (use <u>only</u> screws provided with Nexo Speaker).	Place the speaker holder with Nexo speaker into the wall bracket. Fix by tightening bolted assembly.
	

- **NEXO** cannot accept responsibility for accidents caused by any factor other than defects in this product itself.

NEXO

www.nexo.fr

ZA du pre de la Dame Jeanne
60128 PLAILLY - France