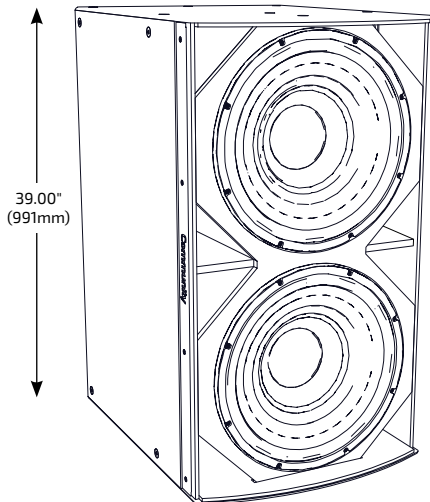


**I SERIES**

Subwoofer 600

# IS6-218

 MEDIUM POWER DUAL 18-INCH  
SUBWOOFER

**APPLICATIONS**
**SMALL TO MEDIUM SIZE VENUES**

 Houses of Worship · Auditoriums · Restaurants  
Meeting Rooms · Theaters · Corporate A/V Systems

**LARGER SIZE VENUES**

 Arenas · Stadiums · Night Clubs · Theaters  
Themed Entertainment · Larger Houses of Worship

**DESCRIPTION**

I SERIES Subwoofer 600 loudspeakers provide exemplary acoustic performance, modular flexibility and elegant aesthetics for modern performance venues. Designed to support the goals of systems integrators and consultants both acoustically and mechanically, I SERIES Subwoofers provide a broad range of sizes and capabilities that can be specifically matched to the needs of any modern venue.

Each cabinet was carefully designed to provide matching heights, face widths and suspension point locations for seamless integration into flown arrays with I SERIES full-range models. The broad range of optional low profile fly rails, fly frames and modular array brackets reduces design and installation time while also providing improved aesthetics and nearly limitless integration possibilities.

The IS6-218 is a direct radiating subwoofer with large, balanced ports that provide optimal enclosure tuning and even air pressure distribution to the driver cones, reducing distortion and extending system longevity. Drivers are loaded into individual air volumes within the enclosure, isolating their performance from one another. This arrangement not only provides additional protection to drivers in case of failures, but also allows the designer to implement directional subwoofer techniques, like steered end-fire arrays and cardioid patterns, within a single enclosure when using any I SERIES dual driver subwoofer model.

**FEATURES**

- Long excursion ferrite LF drivers with FEA-optimized motors and symmetric movement suspension
- Matched-size enclosure and aligned suspension point for seamless flown array integration
- 1400W continuous power handling (5600W peak)
- High sensitivity design minimizes power compression losses and required amplifier size
- Isolated driver air volumes allow use of directional steering techniques within a single enclosure

**TECHNICAL SPECIFICATIONS<sup>1</sup>**

<b>Operating Mode</b>	Single or Dual Amp		
<b>Operating Environment</b>	Indoor or Weather-Resistant Outdoor		
<b>Operating Range<sup>2</sup></b>	32 Hz to 145 Hz		
<b>Transducers</b>	2 x 18" (457mm) double-treated cones with 4" (102mm) inner/outer wound voice coil, ferrite construction		
<b>Continuous Power Handling<sup>3</sup> @ Nominal Impedance</b>	Single Amp Dual Amp	75V 75V	1400W @ 4 ohms (5600W peak) 700W @ 8 ohms (2800W peak) (each)
<b>Nominal Sensitivity<sup>4</sup></b>	Half Space Whole Space	@ 1W 107 dB 101 dB	@ 2.83V 110 dB 104 dB
<b>Nominal Maximum SPL<sup>5</sup></b>	Half Space Whole Space	Peak 144 dB 138 dB	Continuous 138 dB 132 dB
<b>Equalized Sensitivity<sup>6</sup></b>	Half Space Whole Space	@ 1W 102 dB 96 dB	@ 2.83V 105 dB 99 dB
<b>Equalized Maximum SPL<sup>7</sup></b>	Half Space Whole Space	Peak 139 dB 133 dB	Continuous 133 dB 127 dB
<b>Recommended Amplifiers</b>	Single Amp Dual Amp	1400W - 2800W @ 4 ohms, (75V - 106V) 700W - 1400W @ 8 ohms, (75V - 106V) (each driver)	

**PHYSICAL**

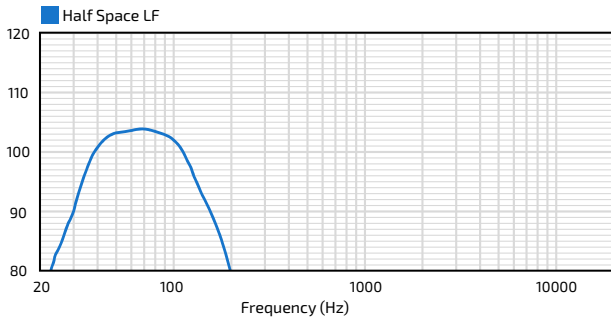
<b>Input Connection</b>	(2) 4 position screw terminal blocks
<b>Mounting Points</b>	(24) M10 threaded rigging points Indoor; (23 in Outdoor model)
<b>Environmental</b>	Outdoor: IP55W per IEC 60529, MIL-STD-810G
<b>Weight</b>	170 lbs (77.1 kg) subwoofer only
<b>Dimensions H x W x D</b>	39.00" x 22.10" x 28.89" (991 x 561 x 734 mm)
<b>Finish</b>	Refer to the Technical Drawing

**OPTIONS**

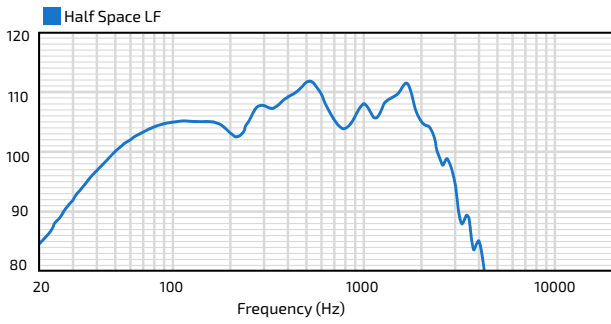
<b>Accessories</b> (Refer to BalancePoint™ Flyware Accessory Guide for complete listing)	Rigging kits include: <b>BFR22</b> : BalancePoint™ Fly Rails; <b>IAF55</b> : Isometric Array Frame; <b>VAB-BFR38</b> : Sub Above Vert. Array; <b>HAB3</b> : Sub/Dual 2-Way Horiz. Array; <b>HVS3</b> : Multiple Horiz./Vert. Array Kits with Sub Behind Array Options; <b>TPK</b> : Tight Pack Kit; <b>IUB1153WRG</b> : Reinforced 304SS U-Bracket (WR models only)
<b>Configure-to-Order (CTO)</b>	Custom color, Custom cable lengths on outdoor version

# IS6-218 MEDIUM POWER DUAL 18-INCH SUBWOOFER

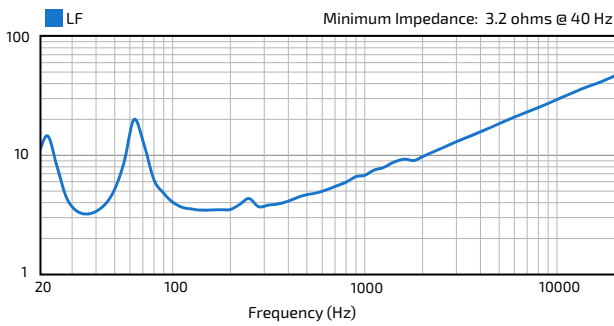
## AXIAL PROCESSED RESPONSE (dB)<sup>8</sup>



## AXIAL SENSITIVITY (dB SPL)<sup>9</sup>



## IMPEDANCE (Ohms)



# IS6-218 MEDIUM POWER DUAL 18-INCH SUBWOOFER

## TECHNICAL DRAWING / DIMENSIONS / FINISH

**H x W x D**

39.00" x 22.10" x 28.89"  
(991 x 561 x 734 mm)

**Unit Weight**

170 lbs (77.1 kg) loudspeaker only

**Shipping Weight**

190 lbs (86.2 kg)

**Indoor Models:**

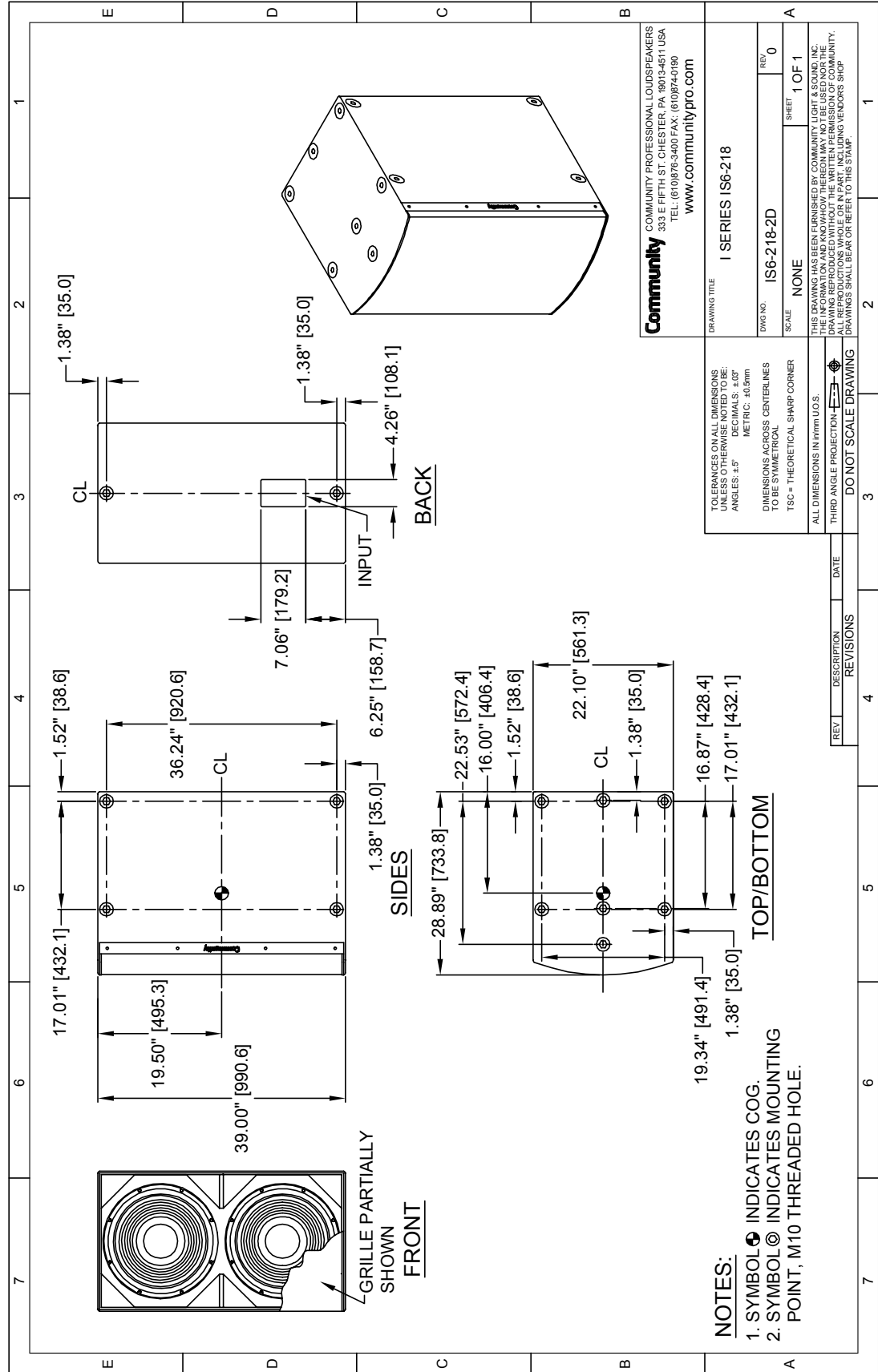
**Grille:** Powder-coated perforated steel backed with color-matched acoustically transparent woven fabric. Black (RAL#9005) or White (RAL#9003)

**Enclosure / Finish:** Black (RAL#9004) or White (RAL#9003) low gloss, uniformly textured painted 15mm Baltic Birch plywood.

**\*Outdoor Models:**

**Grille:** Marine grade aluminum with zinc-rich dual-layer powder-coat, featuring NeverWet™ treated acoustically transparent woven black fabric backing. Grey (RAL#7047)

**Enclosure / Finish:** 15mm PolyGlas, Grey, heavily textured industrial-grade exterior-rated coating. Black, White or Custom colors upon request.



\*Note: The outdoor model drawing is available at communitypro.com - Input panel and mounting point locations, and the unit weight will vary from indoor model (shown).

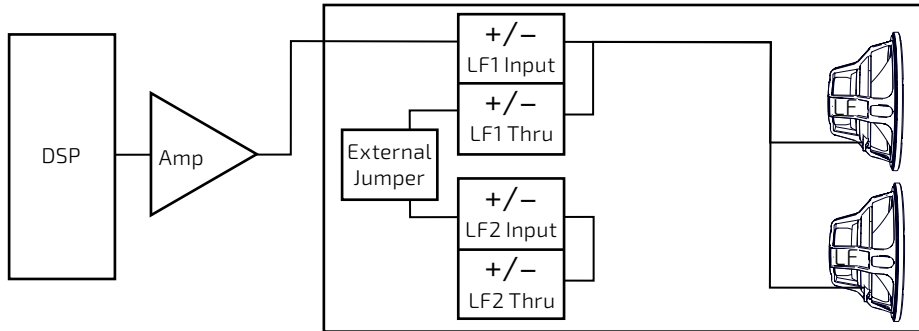
## I SERIES

Subwoofer 600

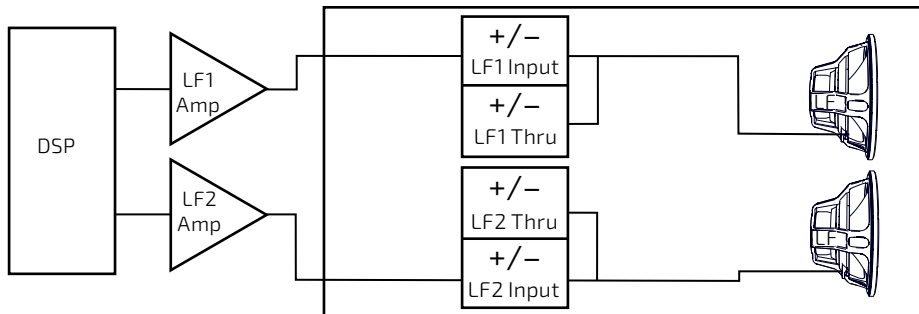
# IS6-218

MEDIUM POWER DUAL 18-INCH  
SUBWOOFER

### CONNECTION DIAGRAMS

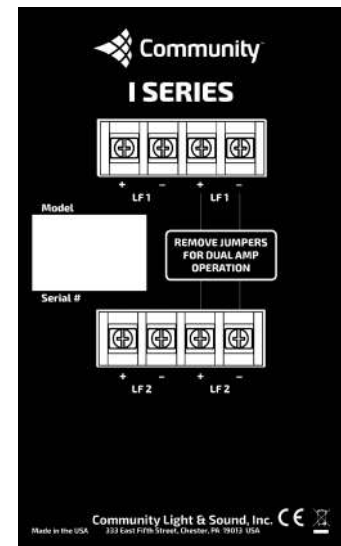


Single amp



Dual amp

### INPUT PANEL



### NOTES

- PERFORMANCE SPECIFICATIONS** All measurements are taken indoor using a time-windowed and processed to eliminate room effects, approximating an anechoic environment, a distance of 6.0 m. All acoustic specifications are rounded to the nearest whole number. An external DSP with settings provided by Community Professional Loudspeakers is required to achieve the specified performance; further performance gains can be realized using Community's dSPEC226 loudspeaker processor with FIR power response optimization.
- OPERATING RANGE** The frequency range in which the axial processed response remains within 10dB of the average SPL.
- CONTINUOUS POWER HANDLING** Maximum continuous input voltage (and the equivalent power rating, in watts, at the stated nominal impedance) that the system can withstand, without damage, for a period of 2 hours using an EIA-426-B defined spectrum; with recommended signal processing and protection filters.
- NOMINAL SENSITIVITY** Averaged SPL over the operating range with an input voltage that would produce 1 Watt at the nominal impedance and the averaged SPL over the operating range with an input voltage of 2.83 Volts, respectively; swept sine wave axial measurements with no external processing applied in whole space, except where indicated.
- NOMINAL MAXIMUM SPL** Calculated based on nominal / peak power handling, respectively, and nominal sensitivity; exclusive of power compression.
- EQUALIZED SENSITIVITY** The respective SPL levels produced when an EIA-426-B signal is applied to an equalized loudspeaker system at a level which produces a total power of 1 Watt, in sum, to the loudspeaker subsections and at a level which produces a total voltage, in sum, of 2.83 volts to the loudspeaker subsections, respectively; each referenced to a distance of 1 meter.
- EQUALIZED MAXIMUM SPL** The SPL produced when an EIA-426-B signal is applied to an equalized loudspeaker system, at a level which drives at least one subsection to its rated continuous input voltage limit, referenced to a distance of 1 meter. The peak SPL represents the 2:1 (6dB) crest factor of the EIA-426-B test signal.
- AXIAL PROCESSED RESPONSE** The axial magnitude response of the complete loudspeaker system and each pass band capable of being driven by an independent amplification channel with recommended signal processing applied. 1/6 octave smoothing applied.
- AXIAL SENSITIVITY** The SPL plotted against frequency, in all operating modes and for each pass band capable of being driven by an independent amplification channel, for a 1 Watt swept sine wave, referenced to 1 meter with no signal processing. 1/6 octave smoothing applied.

Data presented on this spec sheet represents a selection of the basic performance specifications for the model. These specifications are intended to allow the user to perform a fair, straightforward evaluation and comparison with other loudspeaker spec sheets. For a detailed analysis of this loudspeaker's performance, please download the GLL file and/or the CLF file from our website: [communitypro.com](http://communitypro.com).