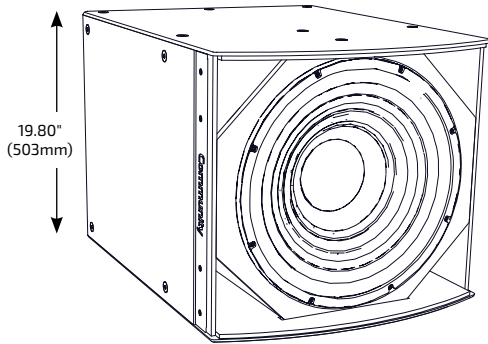


**I SERIES**

Subwoofer 800

# IS8-118

 HIGH POWER SINGLE 18-INCH  
SUBWOOFER

**APPLICATIONS**
**SMALL TO MEDIUM SIZE VENUES**

 Houses of Worship · Auditoriums · Restaurants  
Meeting Rooms · Theaters · Corporate A/V Systems

**LARGER SIZE VENUES**

 Arenas · Stadiums · Night Clubs · Theaters  
Themed Entertainment · Larger Houses of Worship

**DESCRIPTION**

I SERIES Subwoofer 800 loudspeakers provide exemplary acoustic performance, modular flexibility and elegant aesthetics for modern performance venues. Designed to support the goals of systems integrators and consultants both acoustically and mechanically, I SERIES Subwoofers provide a broad range of sizes and capabilities that can be specifically matched to the needs of any modern venue.

The compact, low-profile single driver I SERIES subwoofers are ideal for distributed or concealed sub-bass and are the perfect choice for ground stack applications. Additionally, each cabinet was carefully designed to provide matching face widths and suspension point locations for seamless integration into flown arrays with I SERIES full-range models when additional LF extension is needed but a compact appearance is required. The broad range of optional low profile fly rails, fly frames and modular array brackets reduces design and installation time while also providing improved aesthetics and nearly limitless integration possibilities.

The IS8-118 is a compact, direct radiating subwoofer with large, balanced ports that provide optimal enclosure tuning and even air pressure distribution to the driver cones, reducing distortion and extending system longevity. FEA optimized linear suspensions and high flux neodymium motors with long linear excursion capabilities provide exceptionally deep bass for the enclosure's size.

**FEATURES**

- High-flux, linear neodymium motors with demodulation rings for very low distortion
- Matched-size enclosure and aligned suspension point for seamless flown array integration
- 1600W continuous power handling (6400W peak)
- Long, linear excursion ensures deep, clean bass extension at maximum output
- Isolated driver air volumes allow use of directional steering techniques within a single enclosure

**TECHNICAL SPECIFICATIONS<sup>1</sup>**

<b>Operating Mode</b>	Single Amp		
<b>Operating Environment</b>	Indoor or Weather-Resistant Outdoor		
<b>Operating Range<sup>2</sup></b>	31 Hz to 145 Hz		
<b>Transducer</b>	1 x 18" (457mm) double-treated cone with 4" (102mm) voice coil, triple demodulation rings, neodymium construction		
<b>Continuous Power Handling<sup>3</sup> @ Nominal Impedance</b>	Single Amp	113V	1600W @ 8 ohms (6400W peak)
<b>Nominal Sensitivity<sup>4</sup></b>	Half Space	@ 1W 99 dB	@ 2.83V 99 dB
	Whole Space	93 dB	93 dB
<b>Nominal Maximum SPL<sup>5</sup></b>	Half Space	Peak 137 dB	Continuous 131 dB
	Whole Space	131 dB	125 dB
<b>Equalized Sensitivity<sup>6</sup></b>	Half Space	@ 1W 99 dB	@ 2.83V 99 dB
	Whole Space	93 dB	93 dB
<b>Equalized Maximum SPL<sup>7</sup></b>	Half Space	Peak 137 dB	Continuous 131 dB
	Whole Space	131 dB	125 dB
<b>Recommended Amplifiers</b>	Single Amp	1600W - 3200W @ 8 ohms, (113V - 160V)	

**PHYSICAL**

<b>Input Connection</b>	(2) Screw terminal blocks (4-position)
<b>Mounting Points</b>	(24) M10 threaded rigging points Indoor; (22 in Outdoor model)
<b>Environmental</b>	Outdoor: IP55W per IEC 60529, MIL-STD-810G
<b>Weight</b>	98 lbs (44.5 kg) subwoofer only
<b>Dimensions H x W x D</b>	19.80" x 22.10" x 28.89" (503 x 561 x 734 mm)
<b>Finish</b>	Refer to the Technical Drawing

**OPTIONS**

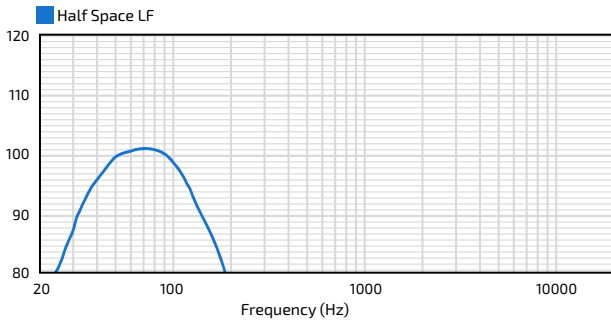
<b>Accessories</b> (Refer to BalancePoint™ Flyware Accessory Guide for complete listing)	<i>Rigging kits include:</i> <b>BFR22:</b> BalancePoint™ Fly Rails; <b>IAF40/IAF55:</b> Isometric Array Frame; <b>HAB:</b> Sub/Dual 2-Way Horiz. Array; <b>HVS:</b> Multiple Horiz./Vert. Array Kits with Sub Behind Array Options; <b>DFS:</b> Downfill Splay Kit; <b>TPK:</b> Tight Pack Kit; <b>IUB0002WRG:</b> Reinforced 3045S U-Bracket (WR models only)
<b>Configure-to-Order (CTO)</b>	Custom color, Custom cable lengths on outdoor version

Community strives to improve its products on a continual basis. Specifications are therefore subject to change without notice.

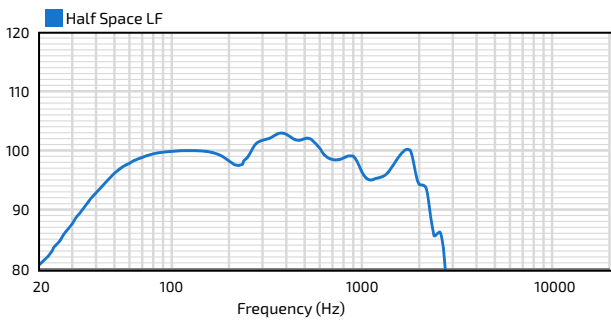
# IS8-118

HIGH POWER SINGLE 18-INCH  
SUBWOOFER

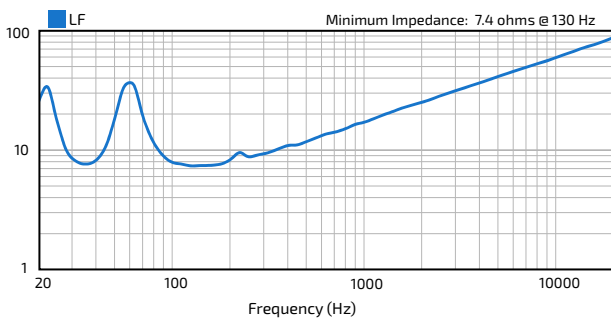
## AXIAL PROCESSED RESPONSE (dB)<sup>8</sup>



## AXIAL SENSITIVITY (dB SPL)<sup>9</sup>



## IMPEDANCE (Ohms)



# IS8-118

HIGH POWER SINGLE 18-INCH SUBWOOFER

## TECHNICAL DRAWING / DIMENSIONS / FINISH

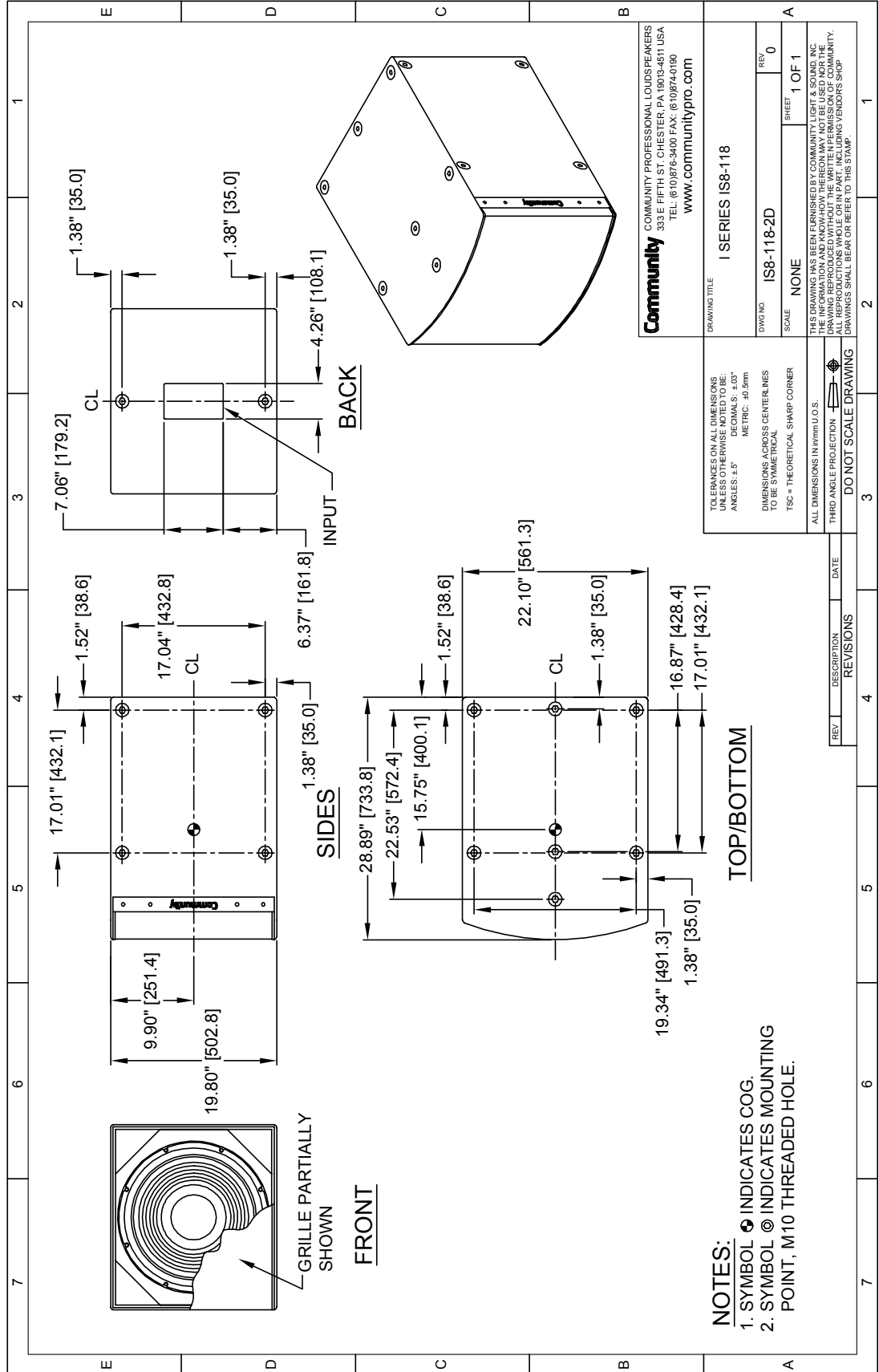
**H x W x D**  
19.80" x 22.10" x 28.89"  
(503 x 561 x 734 mm)

**Unit Weight**  
98 lbs (44.5 kg) loudspeaker only

**Shipping Weight**  
112 lbs (50.8 kg)

**Indoor Models:**  
**Grille:** Powder-coated perforated steel backed with color-matched acoustically transparent woven fabric. Black (RAL#9005) or White (RAL#9003)  
**Enclosure / Finish:** Black (RAL#9004) or White (RAL#9003) low gloss, uniformly textured painted 15mm Baltic Birch plywood.

**\*Outdoor Models:**  
**Grille:** Marine grade aluminum with zinc-rich dual-layer powder-coat, featuring NeverWet™ treated acoustically transparent woven black fabric backing. Grey (RAL#7047)  
**Enclosure / Finish:** 15mm PolyGlas, Grey, heavily textured industrial-grade exterior-rated coating. Black, White or Custom colors upon request.



- NOTES:**
1. SYMBOL ● INDICATES COG.
  2. SYMBOL ⊙ INDICATES MOUNTING POINT, M10 THREADED HOLE.

\*Note: The outdoor model drawing is available at [communitypro.com](http://communitypro.com) - Input panel and mounting point locations, and the unit weight will vary from indoor model (shown).

**Community**  
COMMUNITY PROFESSIONAL LOUDSPEAKERS  
333 E FIFTH ST, CHESTER, PA 19013-4511 USA  
TEL: (610)876-3400 FAX: (610)874-0190  
[www.communitypro.com](http://www.communitypro.com)

DRAWING TITLE		I SERIES IS8-118	
DWG NO.	REV	SHEET	1 OF 1
IS8-118-2D	0		
SCALE		NONE	

TOLERANCES ON ALL DIMENSIONS UNLESS OTHERWISE NOTED TO BE:  
DECIMALS: ±.00"  
METRIC: ±0.5mm  
ANGLES: ±.5°  
DIMENSIONS ACROSS CENTER LINES TO BE SYMMETRICAL  
TSC = THEORETICAL SHARP CORNER

ALL DIMENSIONS IN mm U.O.S.  
THIRD ANGLE PROJECTION

DO NOT SCALE DRAWING

REV	DESCRIPTION	DATE
	REVISIONS	

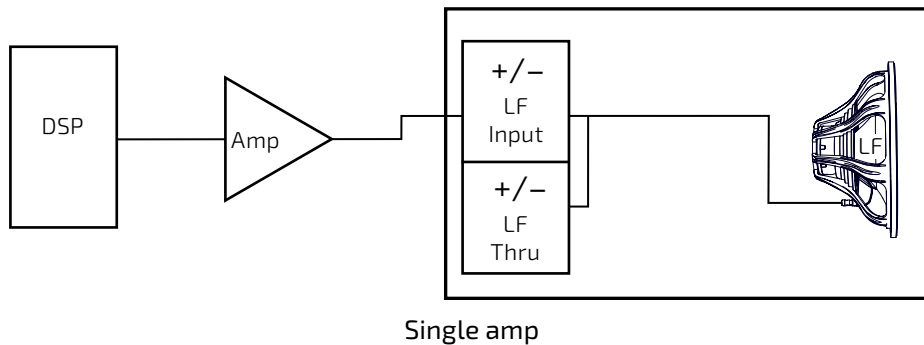
## I SERIES

Subwoofer 800

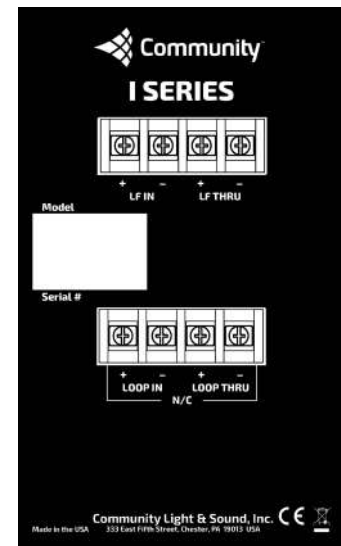
# IS8-118

HIGH POWER SINGLE 18-INCH  
SUBWOOFER

### CONNECTION DIAGRAM



### INPUT PANEL



### NOTES

- PERFORMANCE SPECIFICATIONS** All measurements are taken indoor using a time-windowed and processed to eliminate room effects, approximating an anechoic environment, a distance of 6.0 m. All acoustic specifications are rounded to the nearest whole number. An external DSP with settings provided by Community Professional Loudspeakers is required to achieve the specified performance; further performance gains can be realized using Community's dSPEC226 loudspeaker processor with FIR power response optimization.
- OPERATING RANGE** The frequency range in which the axial processed response remains within 10dB of the average SPL.
- CONTINUOUS POWER HANDLING** Maximum continuous input voltage (and the equivalent power rating, in watts, at the stated nominal impedance) that the system can withstand, without damage, for a period of 2 hours using an EIA-426-B defined spectrum; with recommended signal processing and protection filters.
- NOMINAL SENSITIVITY** Averaged SPL over the operating range with an input voltage that would produce 1 Watt at the nominal impedance and the averaged SPL over the operating range with an input voltage of 2.83 Volts, respectively; swept sine wave axial measurements with no external processing applied in whole space, except where indicated.
- NOMINAL MAXIMUM SPL** Calculated based on nominal / peak power handling, respectively, and nominal sensitivity; exclusive of power compression.
- EQUALIZED SENSITIVITY** The respective SPL levels produced when an EIA-426-B signal is applied to an equalized loudspeaker system at a level which produces a total power of 1 Watt, in sum, to the loudspeaker subsections and at a level which produces a total voltage, in sum, of 2.83 volts to the loudspeaker subsections, respectively; each referenced to a distance of 1 meter.
- EQUALIZED MAXIMUM SPL** The SPL produced when an EIA-426-B signal is applied to an equalized loudspeaker system, at a level which drives at least one subsection to its rated continuous input voltage limit, referenced to a distance of 1 meter. The peak SPL represents the 2:1 (6dB) crest factor of the EIA-426-B test signal.
- AXIAL PROCESSED RESPONSE** The axial magnitude response of the complete loudspeaker system and each pass band capable of being driven by an independent amplification channel with recommended signal processing applied. 1/6 octave smoothing applied.
- AXIAL SENSITIVITY** The SPL plotted against frequency, in all operating modes and for each pass band capable of being driven by an independent amplification channel, for a 1 Watt swept sine wave, referenced to 1 meter with no signal processing. 1/6 octave smoothing applied.

Data presented on this spec sheet represents a selection of the basic performance specifications for the model. These specifications are intended to allow the user to perform a fair, straightforward evaluation and comparison with other loudspeaker spec sheets. For a detailed analysis of this loudspeaker's performance, please download the GLL file and/or the CLF file from our website: [communitypro.com](http://communitypro.com).