

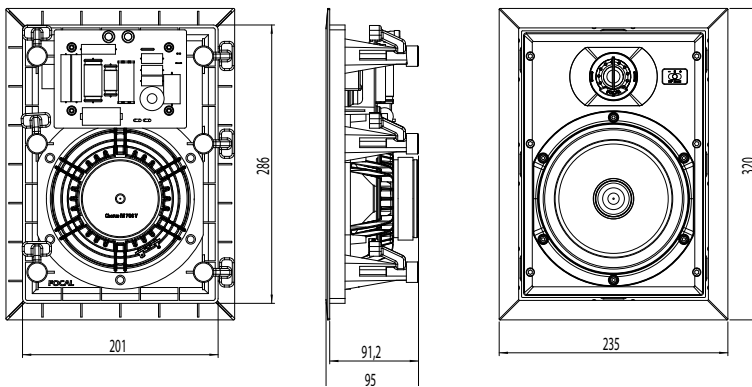
# IW 706 V

## 8Ω In-Ceiling Line



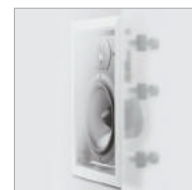
### Key points

- 2 way In Wall speaker.
- Speaker ready for painting (removable logo and protection kit supplied).
- Al/Mg inverted dome tweeter: the best space dispersion in the market, plus the sound quality.
- Rotating tweeter for total control of directivity.
- Polyglass cone woofer: clearness and definition in the midrange register (voice).
- Tweeter level adjustment: optimum acoustic integration.



### Technical specifications

|                                     |   |
|-------------------------------------|---|
| Max. power                          | 150W  |
| Nominal power                       | 75W   |
| Sensitivity at 1W/1m (1kHz)         | 89dB  |
| Bandwidth (± 3dB)                   | 65Hz - 28kHz  |
| Opening angle (at 1kHz/4kHz, -6dB)  | 170°/180°   |
| Nominal impedance                   | 8Ω  |
| Passive crossover cut-off frequency | 2 600Hz   |
| Drivers                             | 6 <sup>1</sup> / <sub>2</sub> " (165mm) glass fiber woofer/midrange<br>1" (25mm) Al/Mg inverted dome adjustable tweeter |
| Frame dimensions (diameter)         | 9 <sup>15</sup> / <sub>16</sub> " (253mm)   |
| Cut-out dimensions (diameter)       | 8 <sup>11</sup> / <sub>16</sub> " (221mm)   |
| Cut-out depth                       | 3 <sup>5</sup> / <sub>8</sub> " (92mm)  |
| Weight                              | 4.19lb (1.9kg)  |
| Color                               | White   |



## The invisible great Focal sound.

The Focal Professional Commercial Integration range is the answer to two fundamental constraints:

- offering very high quality sound audio solutions
- promoting product integration to preserve architectural harmony.

### Applications :

The Focal IW 706 V loudspeaker can be installed in numerous applications such as: conference rooms, shopping malls, lecture halls, restaurants, corridors, shops, swimming-pools, hotels, boats, museums, meeting rooms, ...

### Packaging

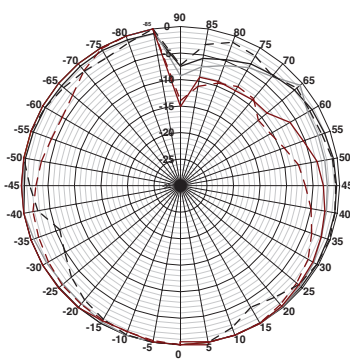
- 1 IW 706 V speaker
- 1 cut-out template
- 1 protective mask
- 1 key to remove the grille
- 1 removable Focal logo

### Environmental characteristics

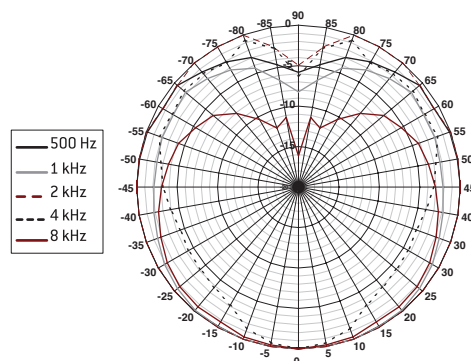
|                     |                   |
|---------------------|-------------------|
| Ambient temperature | -25 °C to + 55 °C |
| Watertightness      | Dampenvironment   |

### Electrical diagram

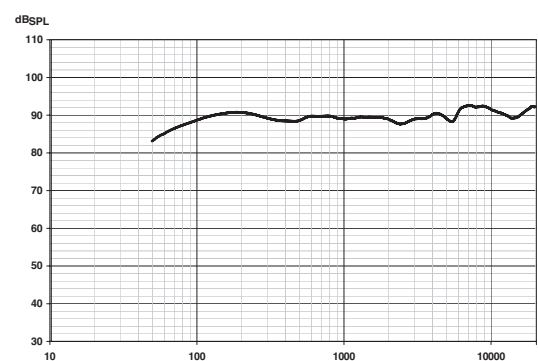
Vertical directivity



Horizontal directivity



Frequency response



### IW 706 V speaker level calculation table

| Power/Distance | 1 meter | 2 meters | 5 meters | Summary               | 125Hz | 250Hz | 500Hz | 1kHz | 2kHz | 4kHz | 8kHz |
|----------------|---------|----------|----------|-----------------------|-------|-------|-------|------|------|------|------|
| 1 watt         | 89dB    | 83dB     | 75dB     | NPA (1W/1m)[dB]       | 90    | 89    | 89    | 89   | 89   | 87   | 87   |
| 5 watts        | 96dB    | 90dB     | 82dB     | NPA (20W/1m)[dB]      | 103   | 102   | 102   | 102  | 102  | 100  | 100  |
| 10 watts       | 99dB    | 93dB     | 85dB     | opening angle at -6dB | 180°  | 180°  | 180°  | 175° | 150° | 90°  | 110° |
| 20 watts       | 102dB   | 96dB     | 88dB     |                       |       |       |       |      |      |      |      |

### Values of average ambient level examples

|       |   |
|-------|---|
| 110dB | Discotheque                                       |
| 90dB  | Pub, stadium during a goal                        |
| 80dB  | Multipurpose room, station, stadium terraces      |
| 70dB  | Supermarket, shop, swimming-pool, ice-rink        |
| 60dB  | Conference room, office, museum, place of worship |
| 50dB  | Classroom   |
| 25dB  | Quiet room  |

### IW 706 V speaker coverage area

| Speaker height / ground | 2.5m             | 3m               | 4m               | 5m                |
|-------------------------|------------------|------------------|------------------|-------------------|
| 1 speaker for           | 15m <sup>2</sup> | 30m <sup>2</sup> | 80m <sup>2</sup> | 150m <sup>2</sup> |