

CEILING SPEAKER

CS-05F/10F/15F/MCS-20F/30F/80F



FEATURES

CS-05F/10F/15F

- ✦ Contains a premium grade speaker unit
- ✦ Best reliability
- ✦ The beautiful and graceful cabinet design
- ✦ Easy installing and convenience
- ✦ Full Range of 1 way speaker system (6 inch unit)
- ✦ Multi-tap switch offers an easy way to change taps on a transformer(CS-10F/15F)

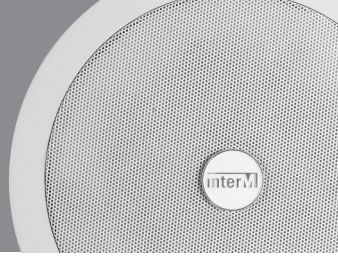
MCS-20F/30F/80F

- ✦ Contains a premium grade speaker unit
- ✦ Best reliability
- ✦ The beautiful and graceful cabinet design
- ✦ Easy installing and convenience
- ✦ 2 Way speaker system (6" -2way coaxial type)
- ✦ Multi-tap switch offers an easy way to change taps on a transformer

SPECIFICATIONS

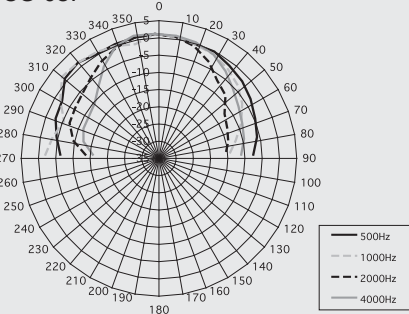
Spec \ MODEL	CS-05F	CS-10F	CS-15F	MCS-20F	MCS-30F	MCS-80F
Rated Power	5W(3W)	6W	12W	20W	30W	80W
Impedance	COM	COM	COM	COM	COM	COM
	3.3kΩ	1.7kΩ	800Ω	500Ω	330Ω	125Ω
	5kΩ	4kΩ	1kΩ	1kΩ	500Ω	250Ω
	10kΩ	8kΩ	2kΩ	2kΩ	1kΩ	500Ω
Frequency Response	300Hz-10kHz(-10dB)	150Hz-15kHz	150Hz-15kHz	150Hz-20kHz	150Hz-20kHz	150Hz-20kHz
SPL (1W/1M)	86dB(300,400,500,600Hz Avg.)	92dB	93dB	92dB	93dB	93dB
Weight(Set)	680g/1.5lb	850g/1.8lb	900g/1.9lb	2kg/4.4lb	2.42kg/5.3lb	3.57kg/7.8lb
Dimensions(Set)	230(ø)x100(D)mm/9(ø)x4(D)in			230(ø)x180(D)mm/9(ø)x7(D)in		

* Design and specification are subject to be changed for the improvement of product quality without pre notice.

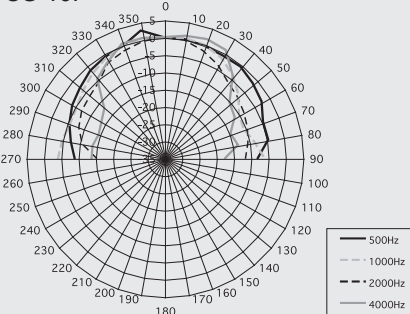


Polar Diagram

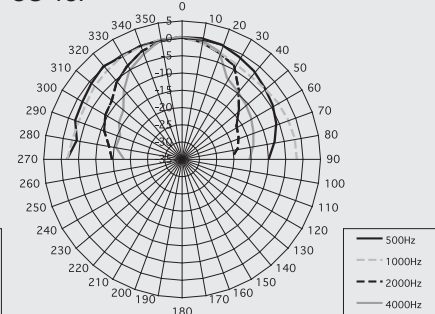
► CS-05F



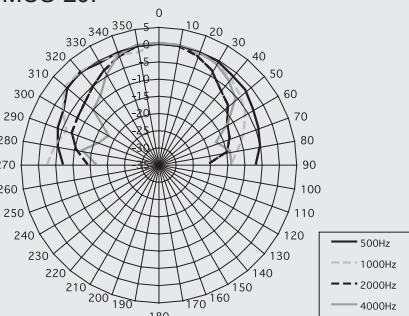
► CS-10F



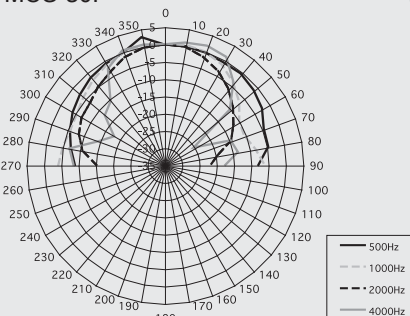
► CS-15F



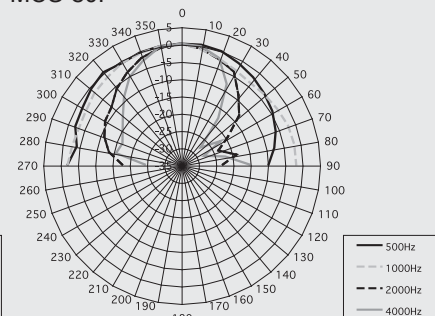
► MCS-20F



► MCS-30F

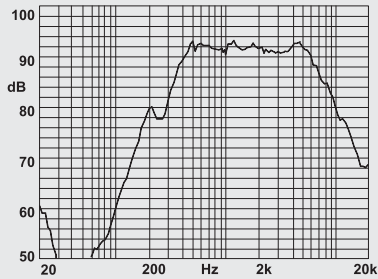


► MCS-80F

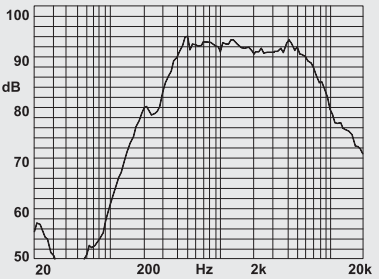


Frequency Response

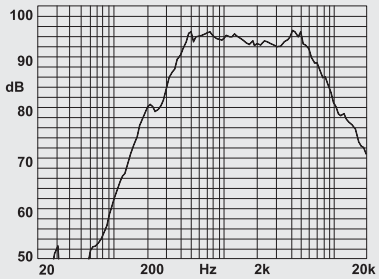
► CS-05F



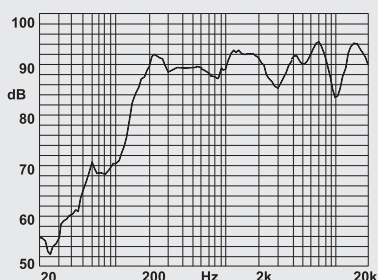
► CS-10F



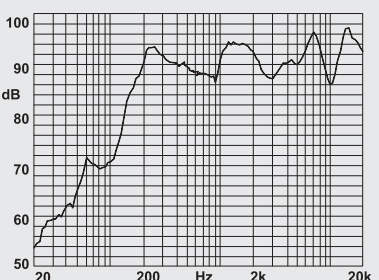
► CS-15F



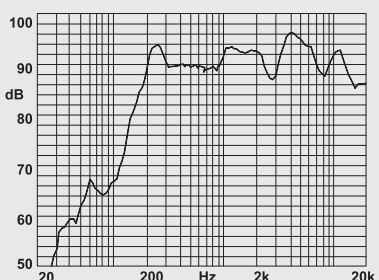
► MCS-20F



► MCS-30F



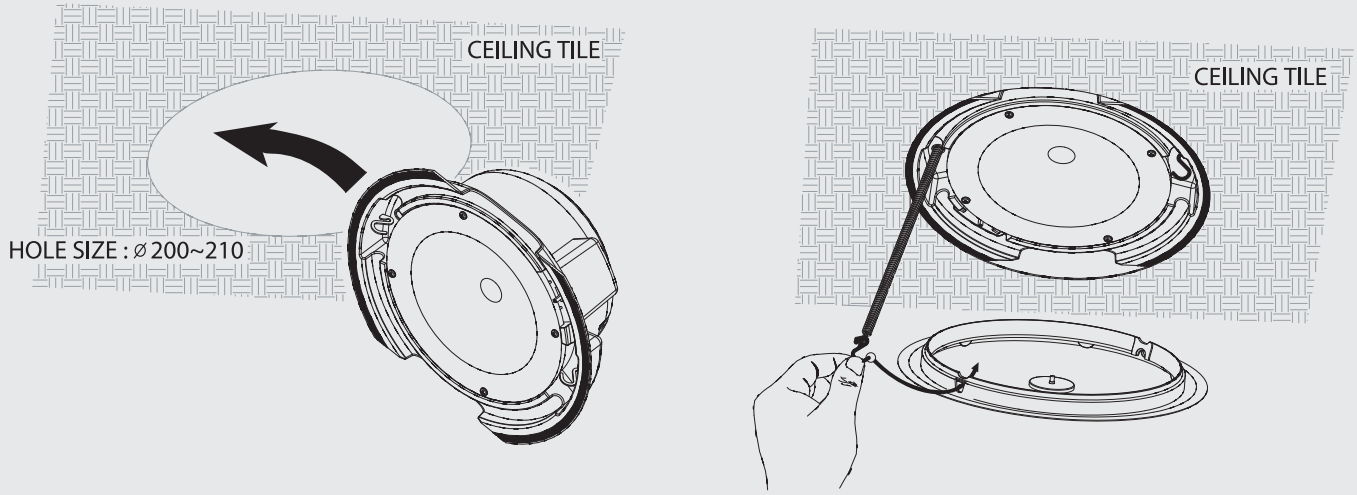
► MCS-80F



CS-05F/10F/15F/MCS-20F/30F/80F

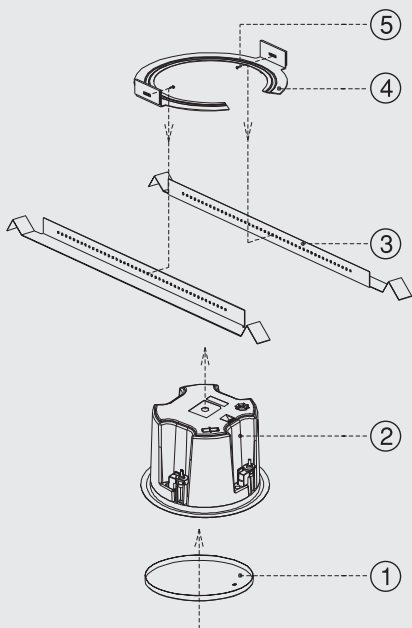
Inserting Speaker Into Ceiling

▶ CS-05F/10F/15F

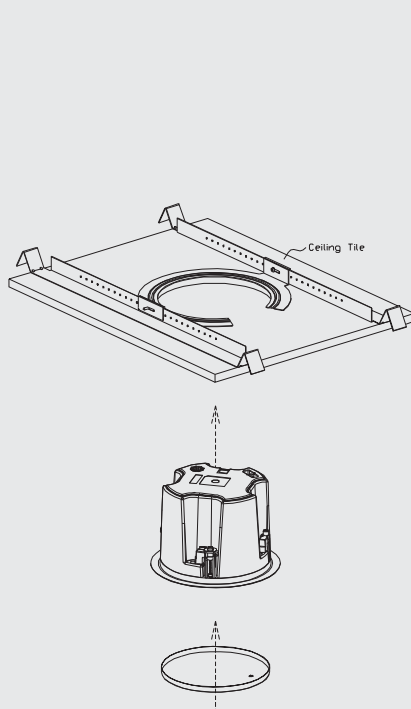


Ceiling Speaker Part-List/Inserting Speaker Into Ceiling

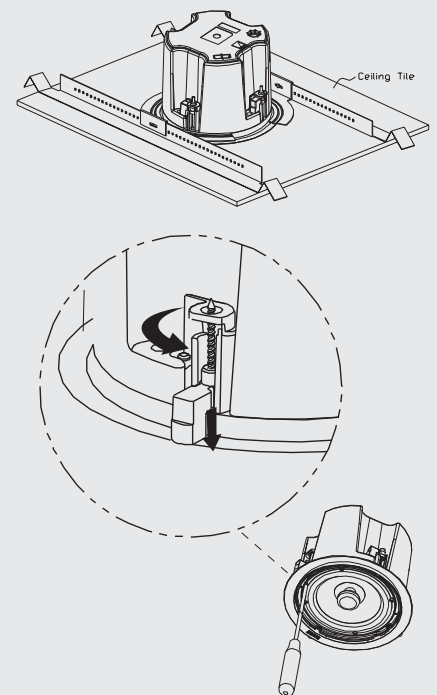
▶ MCS-20F/30F/80F



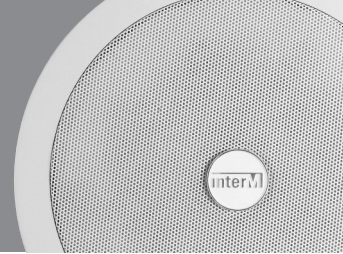
5	SCREW 1WPTC 4 x 12B	2
4	BKT-RING	1
3	BKT-RAIL	2
2	SET	1
1	GRILL COVER	1
NO	NAME	QTY



※ Ceiling Hole Size : Ø200~Ø205

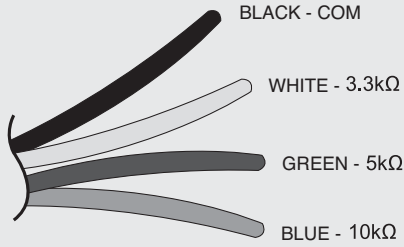


1. Turn clockwise and fit carefully until approaching ceiling or BKT-RING.
2. Put GRILL-COVER on the hall of SET and press to be combined.



INPUT TERMINAL

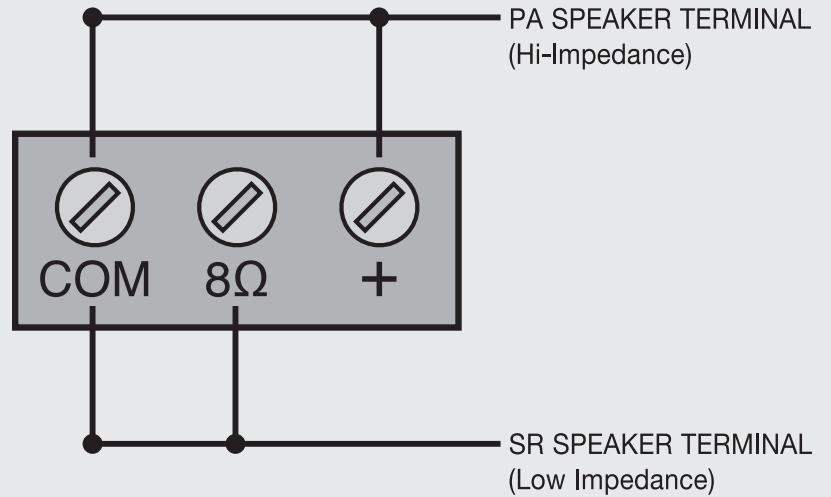
▶ CS-05F



▶ CS-10F/15F

COM(-) BLACK
 (+) RED

▶ MCS-20F/30F/80F



OUTPUT TERMINAL

▶ CS-10F

1.7kΩ (6W) 4kΩ (2.5W) 8kΩ (1.25W)



PA SPEAKER 6W / 2.5W / 1.25W
 The impedance switch selects a different range of values on a transformer

▶ CS-15F

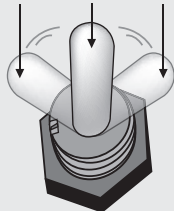
800Ω (12W) 1kΩ (10W) 2kΩ (5W)



PA SPEAKER 12W / 10W / 5W
 The impedance switch selects a different range of values on a transformer

▶ MCS-20F

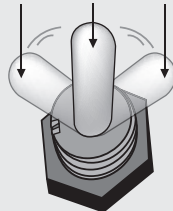
2kΩ (5W) 1kΩ (10W) 500Ω (20W)



PA SPEAKER 5W / 10W / 20W
 The impedance switch selects a different range of values on a transformer

▶ MCS-30F

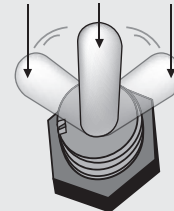
1kΩ (10W) 500Ω (20W) 330Ω (30W)



PA SPEAKER 10W / 20W / 30W
 The impedance switch selects a different range of values on a transformer

▶ MCS-80F

500Ω (20W) 250Ω (40W) 125Ω (80W)



PA SPEAKER 20W / 40W / 80W
 The impedance switch selects a different range of values on a transformer

Inter-M Corporation

- Office : 719, DOBONG-RO, DOBONG-GU, SEOUL, KOREA
 - Tel : +82-2-2289-8140~8, Fax : +82-2-2289-8149
 - Home page: <http://www.inter-m.com>, E-mail: overseas@inter-m.com

Inter-M Corp. (IMA)

- Office : 5666 CORPORATE AVE. CYPRESS, CA 90630
 - Tel : +1-714-828-2200, Fax : +1-714-828-2210
 - E-mail : info@inter-m.net, Home Page : www.inter-m.net