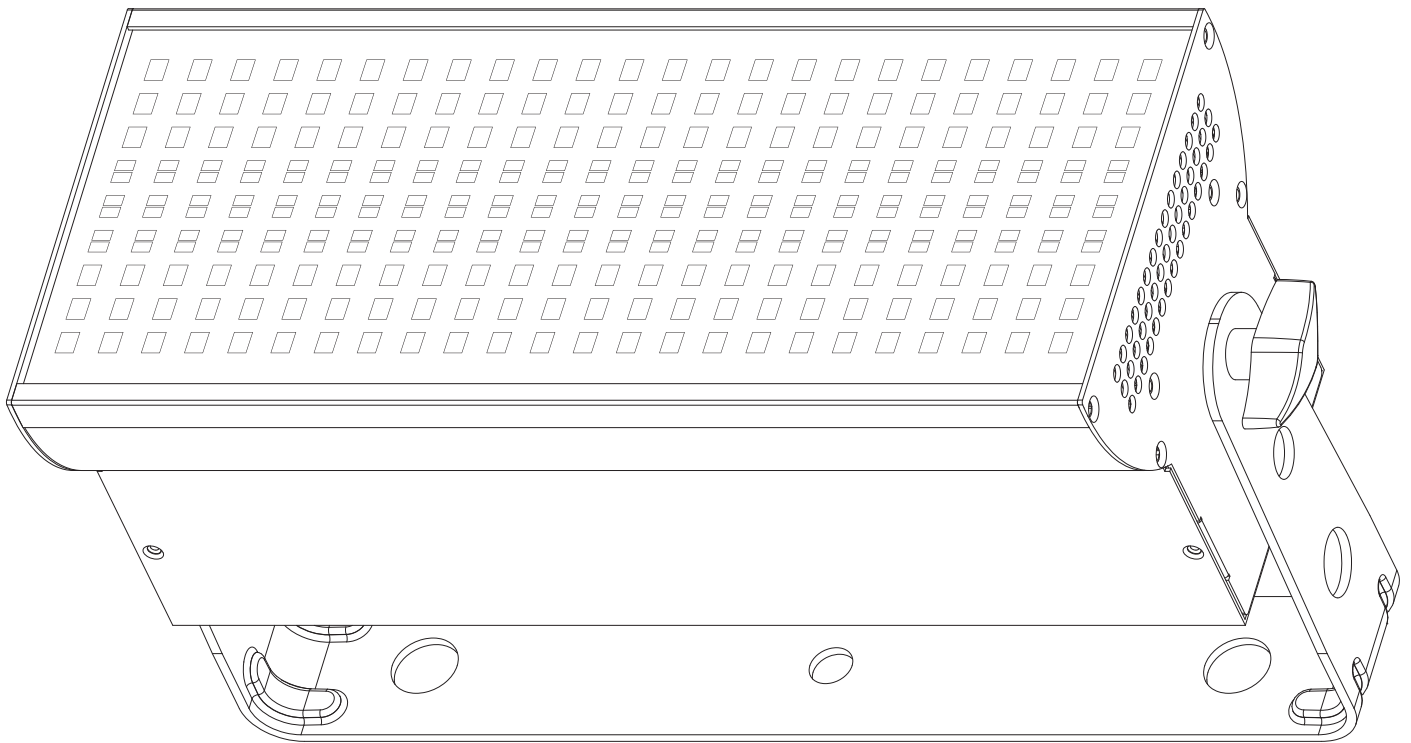




JOLT 300



User Instructions

©2020 ADJ Products, LLC all rights reserved. Information, specifications, diagrams, images, and instructions herein are subject to change without notice. ADJ Products, LLC logo and identifying product names and numbers herein are trademarks of ADJ Products, LLC. Copyright protection claimed includes all forms and matters of copyrightable materials and information now allowed by statutory or judicial law or hereinafter granted. Product names used in this document may be trademarks or registered trademarks of their respective companies and are hereby acknowledged. All non-ADJ Products, LLC brands and product names are trademarks or registered trademarks of their respective companies.

ADJ Products, LLC and all affiliated companies hereby disclaim any and all liabilities for property, equipment, building, and electrical damages, injuries to any persons, and direct or indirect economic loss associated with the use or reliance of any information contained within this document, and/or as a result of the improper, unsafe, insufficient and negligent assembly, installation, rigging, and operation of this product.

FCC STATEMENT

This device complies with Part 15 of the FCC Rules. Operation is subject to the following two conditions: (1) this device may not cause harmful interference, and (2) this device must accept any interference received, including interference that may cause undesired operation.

FCC RADIO FREQUENCY INTERFERENCE WARNINGS & INSTRUCTIONS

This product has been tested and found to comply with the limits as per Part 15 of the FCC Rules. These limits are designed to provide reasonable protection against harmful interference in a residential installation. This device uses and can radiate radio frequency energy and, if not installed and used in accordance with the included instructions, may cause harmful interference to radio communications. However, there is no guarantee that interference will not occur in a particular installation. If this device does cause harmful interference to radio or television reception, which can be determined by turning the device off and on, the user is encouraged to try to correct the interference by one or more of the following methods:

- Reorient or relocate the device.
- Increase the separation between the device and the receiver.
- Connect the device to an electrical outlet on a circuit different from which the radio receiver is connected.
- Consult the dealer or an experienced radio/TV technician for help.

DOCUMENT VERSION

Due to additional product features and/or enhancements, an updated version of this document may be available online.

Please check www.adj.com for the latest revision/update of this manual before beginning installation and/or programming.

Date	Document Version	Software Version \geq	DMX Channel Mode	Notes
01/03/20	1	1.01	4 / 8 / A10 / B10 / 12 / 15 / A18 / B18	Initial Version
11/04/20	2	1.02	4 / 8 / A10 / B10 / 12 / 15 / A18 / B18	Updated System Menu.

Europe Energy Saving Notice

Energy Saving Matters (EuP 2009/125/EC)

Saving electric energy is a key to help protecting the environment. Please turn off all electrical products when they are not in use. To avoid power consumption in idle mode, disconnect all electrical equipment from power when not in use. Thank you!

Introduction	3
Features Warranty Registration	4
Safety Guidelines	5
Overview	6
Installation	7
DMX Set Up	9
DMX Addressing	10
DMX Channel Modes & Values	11
Color Macro Chart	15
System Menu	17
Pixel Zone Control	22
Dimmer Curve Chart	23
Dimensional Drawings	24
Fuse Replacement Multiple Unit Power Linking	25
Trouble Shooting Cleaning	25
Limited Warranty (USA Only)	26
Technical Specifications	27

Unpacking: Thank you for purchasing the Jolt 300 by ADJ Products, LLC. Every unit has been thoroughly tested and has been shipped in perfect operating condition. Carefully check the shipping carton for damage that may have occurred during shipping. If the carton appears to be damaged, carefully inspect your fixture for any damage and be sure all accessories necessary to operate the unit has arrived intact. In the case damage has been found or parts are missing, please contact our toll free customer support number for further instructions. Do not return this unit to your dealer without first contacting customer support.

Introduction: The Jolt 300 is a DMX intelligent, multi-use strobe fixture. To optimize the performance of this product, please read these operating instructions carefully to familiarize yourself with the basic operations of this unit. ***This product is intended to be used by professionally trained personnel only and is not suitable for private use.***

Customer Support: Contact ADJ Service for any product related service and support needs. Also visit forums.adj.com with questions, comments or suggestions.

Parts: To purchase parts online visit:
<http://parts.americandj.com> (US)
<http://www.adjparts.eu> (EU)

ADJ SERVICE USA - Monday - Friday 8:00am to 4:30pm PST
Voice: 800-322-6337 | Fax: 323-582-2941 | support@adj.com

ADJ SERVICE EUROPE - Monday - Friday 08:30 to 17:00 CET
Voice: +31 45 546 85 60 | Fax: +31 45 546 85 96 | support@adj.eu

ADJ PRODUCTS LLC USA

6122 S. Eastern Ave. Los Angeles, CA. 90040
323-582-2650 | Fax 323-532-2941 | www.adj.com | info@adj.com

ADJ SUPPLY Europe B.V

Junostraat 2 6468 EW Kerkrade, The Netherlands
+31 (0)45 546 85 00 | Fax +31 45 546 85 99
www.adj.eu | info@adj.eu

ADJ PRODUCTS GROUP Mexico

AV Santa Ana 30 Parque Industrial Lerma, Lerma, Mexico 52000
+52 (728) 282-7070

Caution! There are no user serviceable parts inside this unit. Do not attempt any repairs yourself, doing so will void your manufactures warranty. In the unlikely event your unit may require service please contact ADJ Products, LLC.

PLEASE recycle the shipping carton when ever possible.

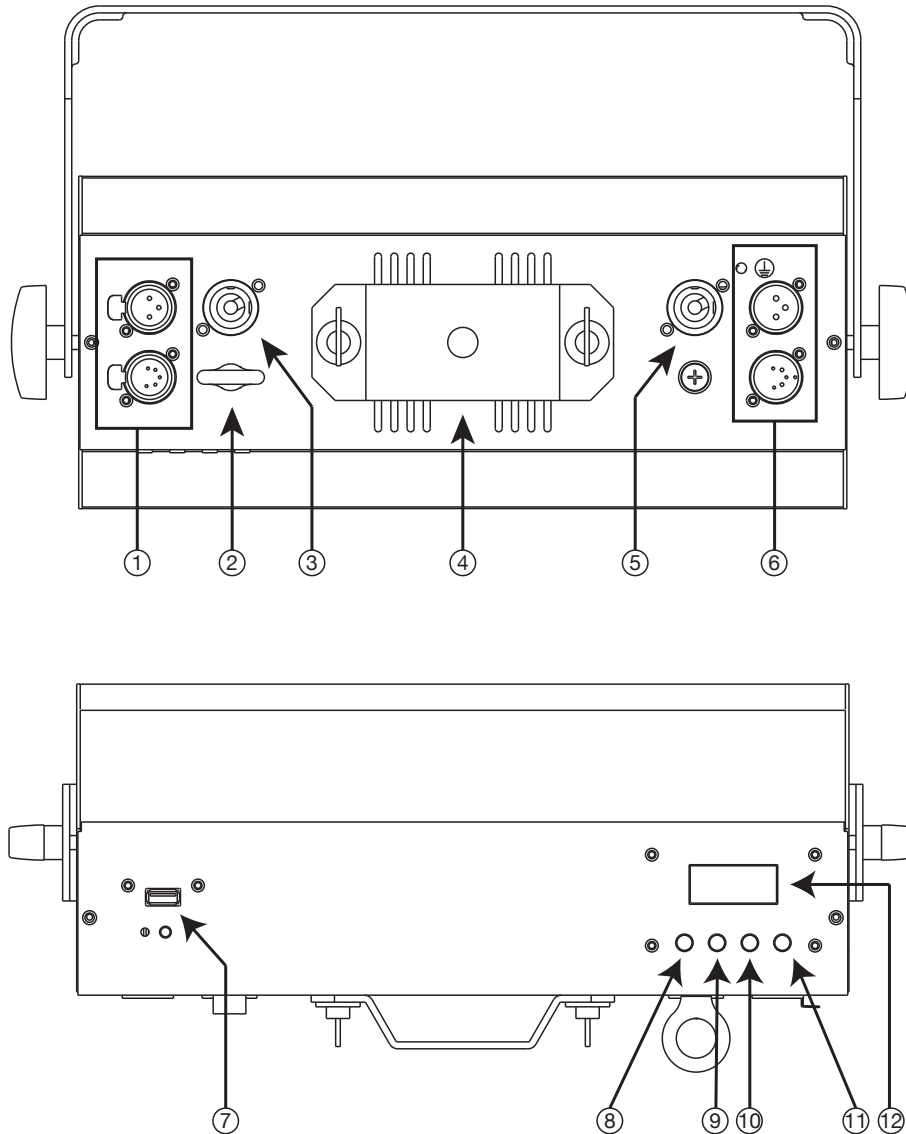
- DMX-512 protocol
- Multiple DMX Channel Modes
- Locking 3/5-Pin XLR Connectors In/Out
- Electronic Dimming 0-100%
- Pixel Control
- 6 Dimmer Modes and Dim Speed Control
- Multiple Unit Power Linking (See page 25)

Included:

- 1 x Locking Power Cable
- 1 x Omega Bracket (Attached to unit)
- 1 x UC IR Remote

The Jolt 300 carries a 2 year limited warranty. Please fill out the enclosed warranty card to validate your purchase. All returned service items whether under warranty or not, must be freight pre-paid and accompany a return authorization (R.A.) number. The R.A. number must be clearly written on the outside of the return package. A brief description of the problem as well as the R.A. number must also be written down on a piece of paper included in the shipping carton. If the unit is under warranty, you must provide a copy of your proof of purchase invoice. You may obtain a R.A. number by contacting our customer support team on our customer support number. All packages returned to the service department not displaying a R.A. number on the outside of the package will be returned to the shipper.

- Do not attempt to operate this unit if the power cord has been frayed or broken. Do not attempt to remove or break off the ground prong from the electrical cord. This prong is used to reduce the risk of electrical shock and fire in case of an internal short.
- Disconnect from main power before making any type of connection.
- Do not remove the cover under any conditions. There are no user serviceable parts inside.
- Never operate this unit when it's cover is removed.
- Never plug this unit in to a dimmer pack
- Always be sure to mount this unit in an area that will allow proper ventilation. Allow about 6" (15cm) between this device and a wall.
- Do not attempt to operate this unit, if it becomes damaged.
- During long periods of non-use, disconnect the unit's main power.
- Always mount this unit in safe and stable matter.
- Power-supply cords should be routed so that they are not likely to be walked on or pinched by items placed upon or against them, paying particular attention to the point they exit from the unit.
- Cleaning -The fixture should be cleaned only as recommended by the manufacturer. See page 25 for cleaning details.
- Heat -The appliance should be situated away from heat sources such as radiators, heat registers, stoves, or other appliances (including amplifiers) that produce heat.
- The fixture should be serviced by qualified service personnel when:
 - A. The power-supply cord or the plug has been damaged.
 - B. Objects have fallen, or liquid has been spilled into the fixture.
 - C. The fixture does not appear to operate normally or exhibits a marked change in performance.
 - D. The fixture has fallen and/or subjected to extreme handling.



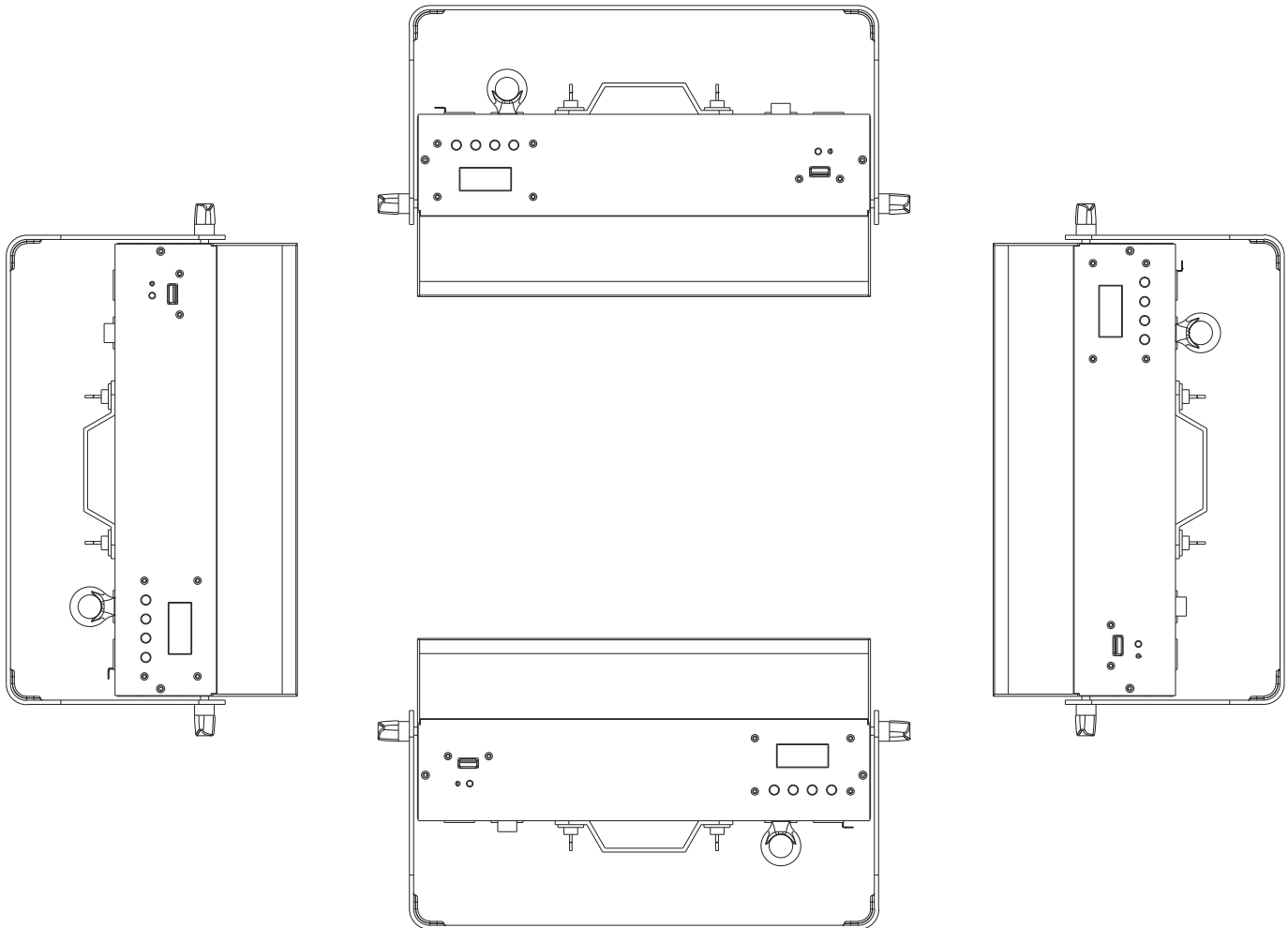
- 1. Locking 3/5-Pin XLR Connectors In
- 2. Safety Cable Attachment Point
- 3. Locking Power Connector In
- 4. Omega Bracket
- 5. Locking Power Connector Out
- 6. Locking 3/5-Pin XLR Connectors Out

- 7. Service Port
- 8. MENU Button
- 9. SETUP Button
- 10. UP Button
- 11. DOWN Button
- 12. Display

When installing the unit, the trussing or area of installation must be able to hold 10 times the weight without any deformation. When installing the unit must be secured with a secondary safety attachment, e.g. and appropriate safety cable. Never stand directly below the unit when mounting, removing, or servicing the unit.

Overhead mounting requires extensive experience, including calculating working load limits, installation material being used, and periodic safety inspection of all installation material and unit. If you lack these qualifications, do not attempt the installation yourself.

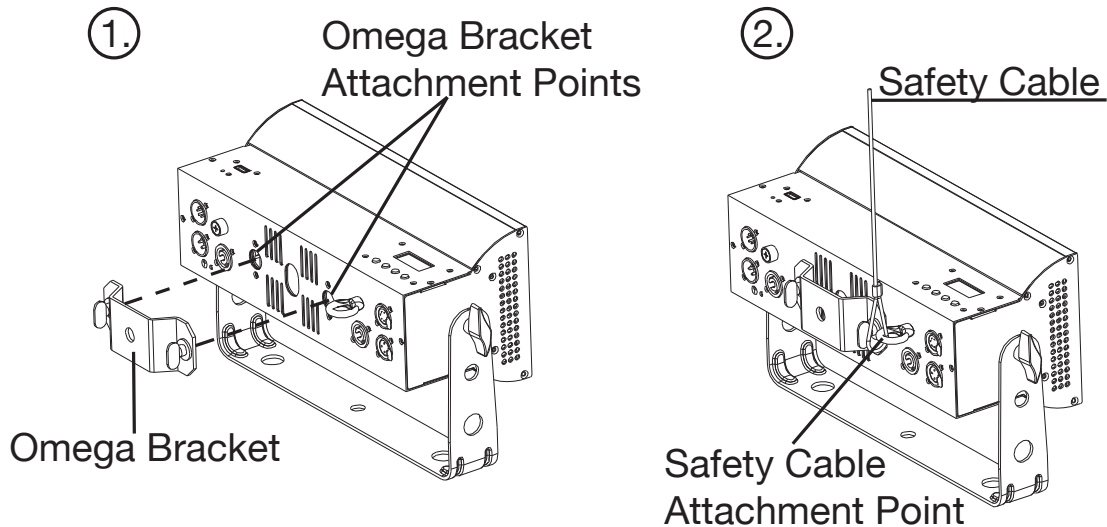
These installaiton should be checked by a skilled person once a year.



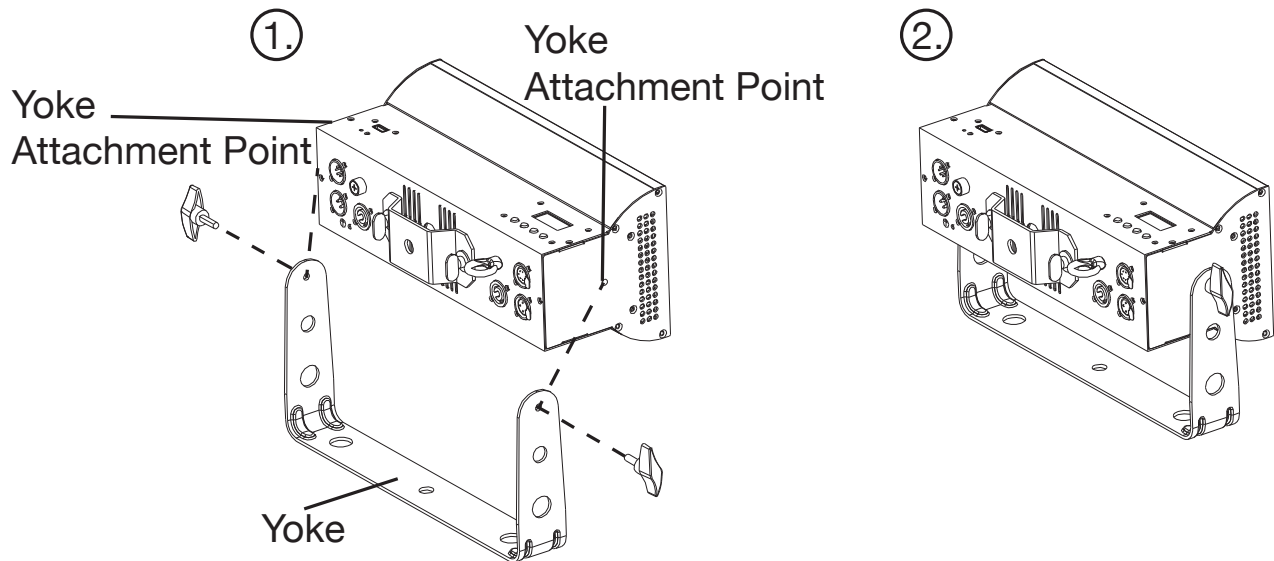
The Jolt 300 is fully operational in three different mounting positions, hanging upside-down from a ceiling or trussing, sideways on trussing, or set on a flat level surface. Be sure this fixture is kept at least 12m (40ft) away from any flammable materials (decoration etc.). Always use and install the supplied safety cable as a safety measure to prevent accidental damage and/or injury in the event the clamp fails (see next page). Never use the carrying handles for secondary attachment.

NOTICE: The suitable environmental temperature for this lighting fixture is between -25° C to 45° C. Do not place this lighting fixture in an environment where the temperatures are under or above the temperatures stated above. This will allow the fixture to run at its best and help prolong the fixture life.

OMEGA BRACKET & SAFETY CABLE ATTACHMENT



YOKE ATTACHMENT



Screw one clamp via a M12 screw and nut into the Omega bracket. Insert the quick-lock fasteners of the Omega bracket's into the respective holes on the bottom of the Jolt 300. Tighten the quick-lock fasteners fully clockwise. Pull the safety cable through the Safety Loop located on the bottom of the unit and over the trussing system or a safe fixation spot. Insert the end in the carabine and tighten the safety screw.

DMX-512: DMX is short for Digital Multiplex. This is a universal protocol used as a form of communication between intelligent fixtures and controllers. A DMX controller sends DMX data instructions from the controller to the fixture. DMX data is sent as serial data that travels from fixture to fixture via the DATA “IN” and DATA “OUT” XLR terminals located on all DMX fixtures (most controllers only have a DATA “OUT” terminal).

DMX Linking: DMX is a language allowing all makes and models of different manufactures to be linked together and operate from a single controller, as long as all fixtures and the controller are DMX compliant. To ensure proper DMX data transmission, when using several DMX fixtures try to use the shortest cable path possible. The order in which fixtures are connected in a DMX line does not influence the DMX addressing. For example; a fixture assigned a DMX address of 1 may be placed anywhere in a DMX line, at the beginning, at the end, or anywhere in the middle. When a fixture is assigned a DMX address of 1, the DMX controller knows to send DATA assigned to address 1 to that unit, no matter where it is located in the DMX chain.

Data Cable (DMX Cable) Requirements (For DMX Operation): The Jolt 300 can be controlled via DMX-512 protocol. The DMX address is set on the top rear panel of the Jolt 300. Your unit and your DMX controller require a standard 3-pin or 5-pin XLR connector for data input and data output. We recommend Accu-Cable DMX cables. If you are making your own cables, be sure to use standard 110-120 Ohm shielded cable (This cable may be purchased at almost all pro lighting stores). Your cables should be made with a male and female XLR connector on either end of the cable. Also remember that DMX cable must be daisy chained and cannot be split.

Special Note: Line Termination. When longer runs of cable are used, you may need to use a terminator on the last unit to avoid erratic behavior. A terminator is a 110-120 ohm 1/4 watt resistor which is connected between pins 2 and 3 of a male XLR connector (DATA + and DATA -). This unit is inserted in the female XLR connector of the last unit in your daisy chain to terminate the line. Using a cable terminator (ADJ part number Z-DMX/T) will decrease the possibilities of erratic behavior.

All fixtures should be given a DMX starting address when using a DMX controller, so the correct fixture responds to the correct control signal. This digital starting address is the channel number from which the fixture starts to “listen” to the digital control signal sent out from the DMX controller. The assignment of this starting DMX address is achieved by setting the correct DMX address on the digital control display on the fixture.

You can set the same starting address for all fixtures or a group of fixtures, or set different addresses for each individual fixture. Setting all fixtures to the same DMX address will cause all fixtures to react in the same way, in other words, changing the settings of one channel will affect all the fixtures simultaneously.

If you set each fixture to a different DMX address, each unit will start to “listen” to the channel number you have set, based on the quantity of DMX channels of each fixture. That means changing the settings of one channel will only affect the selected fixture.

In the case of the Jolt 300, when in 4 channel mode you should set the starting DMX address of the first unit to 1, the second unit to 5 (4 + 1), the third unit to 9 (5 + 4), and so on. (See the chart below for more details.)

Channel Mode	Unit 1 Address	Unit 2 Address	Unit 3 Address	Unit 4 Address
4 Channels	1	5	9	13
8 Channels	1	9	17	25
10 Channels	1	11	21	31
12 Channels	1	13	25	37
15 Channels	1	16	31	46
18 Channels	1	19	37	55

ADJ JOLT 300 DMX Channel Values & Functions Supports Software Version ≥ 1.0 Features subject to change without notice *Directions of effects and Pixel Control depends on the Pixel Flip Setting*									
4 Ch	8 Ch	A10 Ch	B10 Ch	12 Ch	15 Ch	A18 Ch	B18 Ch	VALUES	FUNCTIONS
1	1	1	1					000-255	RED (ALL) 0-100%
2	2	2	2					000-255	GREEN (ALL) 0-100%
3	3	3	3					000-255	BLUE (ALL) 0-100%
4	4	4	7					000-255	WHITE (ALL) 0-100%
				1	1	1	1	000-255	RED (ZONE 1) 0-100%
				2	2	2	2	000-255	GREEN (ZONE 1) 0-100%
				3	3	3	3	000-255	BLUE (ZONE 1) 0-100%
				4	4	4	13	000-255	WHITE (ZONE 1) 0-100%
				5	5	5	4	000-255	RED (ZONE 2) 0-100%
				6	6	6	5	000-255	GREEN (ZONE 2) 0-100%
				7	7	7	6	000-255	BLUE (ZONE 2) 0-100%
				8	8	8	14	000-255	WHITE (ZONE 2) 0-100%
				9	9	9	7	000-255	RED (ZONE 3) 0-100%
				10	10	10	8	000-255	GREEN (ZONE 3) 0-100%
				11	11	11	9	000-255	BLUE (ZONE 3) 0-100%
				12	12	12	15	000-255	WHITE (ZONE 3) 0-100%
	5	5				13		000-255	COLOR MACROS See pages 15-16 for Macro Chart

4 Ch	8 Ch	A10 Ch	B10 Ch	12 Ch	15 Ch	A18 Ch	B18 Ch	VALUES	FUNCTIONS
									AUTO PROGRAMS
								000-015	No Function
								016-022	Program 1
								023-029	Program 2
								030-036	Program 3
								037-043	Program 4
								044-050	Program 5
								051-057	Program 6
								058-064	Program 7
								065-071	Program 8
								072-078	Program 9
								079-085	Program 10
								086-092	Program 11
								093-099	Program 12
								100-106	Program 13
								107-113	Program 14
								114-120	Program 15
		6				14		121-127	Program 16
								128-134	Program 17
								135-141	Program 18
								142-148	Program 19
								149-155	Program 20
								156-161	Program 21
								162-169	Program 22
								170-176	Program 23
								177-183	Program 24
								184-190	Program 25
								191-197	Program 26
								198-204	Program 27
								205-211	Program 28
								212-218	Program 29
								219-225	Program 30
								226-232	Program 31
								233-239	Program 32
								240-249	Auto Run
								250-255	Sound Active
									PROGRAM SPEED/ SOUND SENSITIVITY
		7				15		000-255	Slow-Fast
								000-255	Least Sensitive-Most Sensitive
									SHUTTER & STROBE
								000-031	Closed (LED's Off)
								032-063	Open (LED's On)
								064-095	Strobing Slow-Fast
								096-127	Open (LED's On)
								128-159	Pulse Effect
								160-191	Open (LED's On)
								192-223	Random Strobing Slow-Fast
								224-255	Open (LED's On)
									MASTER DIMMER
	7	9			14	17		000-255	0%-100%

4 Ch	8 Ch	A10 Ch	B10 Ch	12 Ch	15 Ch	A18 Ch	B18 Ch	VALUES	FUNCTIONS
									DIMMER MODES
								000-020	Standard
								021-040	Stage
								041-060	TV
								061-080	Architectural
								081-100	Theatre
								101-120	Stage 2
									DIMMER DELAY TIME
								121	0.1Sec.
								122	0.2Sec.
								123	0.3Sec.
								124	0.4Sec.
								125	0.5Sec.
								126	0.6Sec.
								127	0.7Sec.
								128	0.8Sec.
								129	0.9Sec.
								130	1.0Sec.
								131	1.5Sec.
								132	2.0Sec.
								133	3.0Sec.
								134	4.0Sec.
								135	5.0Sec.
								136	6.0Sec.
								137	7.0Sec.
								138	8.0Sec.
								139	9.0Sec.
								140	10Sec.
								141-255	Default to Unit Setting

4 Ch	8 Ch	A10 Ch	B10 Ch	12 Ch	15 Ch	A18 Ch	B18 Ch	VALUES	FUNCTIONS		
			4				10		RGB SHUTTER & STROBE		
										000-031	Closed (LED's Off)
										032-063	Open (LED's On)
										064-095	Strobing Slow-Fast
										096-127	Open (LED's On)
										128-159	Pulse Effect
										160-191	Open (LED's On)
										192-223	Random Strobing Slow-Fast
								224-255	Open (LED's On)		
			5				11	000-255	RGB MASTER DIMMER 0%-100%		
			6				12		RGB DIMMER MODES		
										000-020	Standard
										021-040	Stage
										041-060	TV
										061-080	Architectural
										081-100	Theatre
										101-120	Stage 2
											DIMMER DELAY TIME
										121	0.1Sec.
										122	0.2Sec.
										123	0.3Sec.
										124	0.4Sec.
										125	0.5Sec.
										126	0.6Sec.
										127	0.7Sec.
										128	0.8Sec.
										129	0.9Sec.
										130	1.0Sec.
										131	1.5Sec.
										132	2.0Sec.
										133	3.0Sec.
										134	4.0Sec.
										135	5.0Sec.
								136	6.0Sec.		
								137	7.0Sec.		
								138	8.0Sec.		
								139	9.0Sec.		
								140	10Sec.		
								141-255	Default to Unit Setting		
			8				16		WHITE SHUTTER & STROBE		
										000-031	Closed (LED's Off)
										032-063	Open (LED's On)
										064-095	Strobing Slow-Fast
										096-127	Open (LED's On)
										128-159	Pulse Effect
										160-191	Open (LED's On)
										192-223	Random Strobing Slow-Fast
								224-255	Open (LED's On)		
			9				17	000-255	WHITE MASTER DIMMER 0%-100%		
			10				18	000-255	WHITE DIMMER MODES & DELAY TIME See RGB Dimmer Modes and Delay Times		

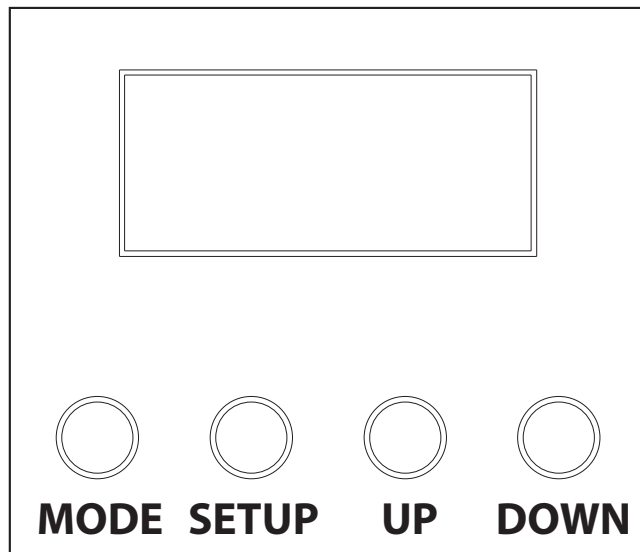
Color No.	DMX VAULE	RGBW COLOR INTENSITY			
		RED	GREEN	BLUE	WHITE
OFF	0	0	0	0	0
Color1	1-4	80	255	234	80
Color2	5-8	80	255	164	80
Color3	9-12	77	255	112	77
Color4	13-16	117	255	83	83
Color5	17-20	160	255	77	77
Color6	21-24	223	255	83	83
Color7	25-28	255	243	77	77
Color8	29-32	255	200	74	74
Color9	33-36	255	166	77	77
Color10	37-40	255	125	74	74
Color11	41-44	255	97	77	74
Color12	45-48	255	71	77	71
Color13	49-52	255	83	134	83
Color14	53-56	255	93	182	93
Color15	57-60	255	96	236	96
Color16	61-64	238	93	255	93
Color17	65-68	196	87	255	87
Color18	69-72	150	90	255	90
Color19	73-76	100	77	255	77
Color20	77-80	77	100	255	77
Color21	81-84	67	148	255	67
Color22	85-88	77	195	255	77
Color23	89-92	77	234	255	77
Color24	93-96	158	255	144	144
Color25	97-100	255	251	153	153
Color26	101-104	255	175	147	147
Color27	105-108	255	138	186	138
Color28	109-112	255	147	251	147
Color29	113-116	151	138	255	138
Color30	117-120	99	0	255	100
Color31	121-124	138	169	255	138
Color32	125-128	255	255	255	255

Color No.	DMX VAULE	RGBW COLOR INTENSITY			
		RED	GREEN	BLUE	WHITE
Color33	129-132	255	206	143	0
Color34	133-136	254	177	153	0
Color35	137-140	254	192	138	0
Color36	141-144	254	165	98	0
Color37	145-148	254	121	0	0
Color38	149-152	176	17	0	0
Color39	153-156	96	0	11	0
Color40	157-160	234	139	171	0
Color41	161-164	224	5	97	0
Color42	165-168	175	77	173	0
Color43	169-172	119	130	199	0
Color44	173-176	147	164	212	0
Color45	177-180	88	2	163	0
Color46	181-184	0	38	86	0
Color47	185-188	0	142	208	0
Color48	189-192	52	148	209	0
Color49	193-196	1	134	201	0
Color50	197-200	0	145	212	0
Color51	201-204	0	121	192	0
Color52	205-208	0	129	184	0
Color53	209-212	0	83	115	0
Color54	213-216	0	97	166	0
Color55	217-220	1	100	167	0
Color56	221-224	0	40	86	0
Color57	225-228	209	219	182	0
Color58	229-232	42	165	85	0
Color59	233-236	0	46	35	0
Color60	237-240	8	107	222	0
Color61	241-244	255	0	0	0
Color62	245-248	0	255	0	0
Color63	249-252	0	0	255	0
Color64	253-255	0	0	0	255

SYSTEM MENU

The fixture includes an easy to navigate system menu control panel display where all necessary settings and adjustments are made. (See image below) During normal operation, pressing the **MODE** button will access the fixture's main menu. Continue to press the **MODE** button to cycle through the system menu. When you reach your desired menu, press the **SETUP** button to scroll through the submenu. Use the **UP** and **DOWN** buttons to adjust the submenu. You may exit the main menu at any time without making any adjustments by pressing the **MODE** button.

To unlock the fixture, press and hold the **MODE** button for 5 seconds.



MENU	SUBMENU	OPTIONS	DESCRIPTION
DMX MODE	ADDR:	001-XXX	DMX Addressing
	CHAN:	04 / 08 / A10 / B10 / 12 / 15 / A18 / B18	DMX Channel Mode Selection
	NO:	HOLD / PROG / BLACK	DMX Lost Status
PERSON (PERSONALITY)	PRI:	ON / OFF	Primary Setting
	SEC:	ON / OFF	Secondary Setting
	IR:	ON / OFF	IR Remote Activation
	STANDARD / STAGE / TV / ARCHI / THEATRE / STAGE 2		Dimming Curve Modes
	SPEED: 0.1-0.9s ~ 1-10s		Dimming Speed
	1200 / 900-1500 / 2500 / 4000 / 5000 / 6000 / 10000 / 15000 / 20000 / 25000 (Hz)		LED Refresh Rate Setting
	GMA:	1.0 / 2.0 / 2.2 / 2.4 / 2.6 / 2.8	Gamma Brightness
	BACK:	OFF / 10S / 20S / 30S / 40S / 50S / 1M / 2M	Backlight Shutoff Time
	LOCK:	OFF / 30S / 1M~10M	Display Control Lock
	USB:	ON / OFF	USB Port Activation
	SOFT:	NO / YES	Software Update
REST:	NO / YES - Pass Code = 011	Restore Factory Settings	
MANUAL	RED:	000-255	Manual Control Settings
	GREN (Green):	000-255	
	BLUE:	000-255	
	WHIT (White):	000-255	
	COLOR (Macros):	000-255	
	STROB (Strobing):	000-255	
INTPROGRAMS (INTERNAL PROGRAMS)	Program 0	FADE: 00~16 / SPEED: 01~16 / SOUND: OF / ON	Program 0 with Adjustments
	Program 1	FADE: 00~16 / SPEED: 01~16 / SOUND: OF / ON	Program 1 with Adjustments
	Program 2	FADE: 00~16 / SPEED: 01~16 / SOUND: OF / ON	Program 2 with Adjustments
	Program 3	FADE: 00~16 / SPEED: 01~16 / SOUND: OF / ON	Program 3 with Adjustments
	Program 4	FADE: 00~16 / SPEED: 01~16 / SOUND: OF / ON	Program 4 with Adjustments
	Program 5	FADE: 00~16 / SPEED: 01~16 / SOUND: OF / ON	Program 5 with Adjustments
	Program 6	FADE: 00~16 / SPEED: 01~16 / SOUND: OF / ON	Program 6 with Adjustments
	Program 7	FADE: 00~16 / SPEED: 01~16 / SOUND: OF / ON	Program 7 with Adjustments
	Program 8	FADE: 00~16 / SPEED: 01~16 / SOUND: OF / ON	Program 8 with Adjustments
	Program 9	FADE: 00~16 / SPEED: 01~16 / SOUND: OF / ON	Program 9 with Adjustments
	Program 10	FADE: 00~16 / SPEED: 01~16 / SOUND: OF / ON	Program 10 with Adjustments
	Program 11	FADE: 00~16 / SPEED: 01~16 / SOUND: OF / ON	Program 11 with Adjustments
	Program 12	FADE: 00~16 / SPEED: 01~16 / SOUND: OF / ON	Program 12 with Adjustments
	Program 13	FADE: 00~16 / SPEED: 01~16 / SOUND: OF / ON	Program 13 with Adjustments
	Program 14	FADE: 00~16 / SPEED: 01~16 / SOUND: OF / ON	Program 14 with Adjustments
	Program 15	FADE: 00~16 / SPEED: 01~16 / SOUND: OF / ON	Program 15 with Adjustments
	Program 16	FADE: 00~16 / SPEED: 01~16 / SOUND: OF / ON	Program 16 with Adjustments

MENU	SUBMENU	OPTIONS	DESCRIPTION
PwronHr1	XXXXXXXXH		Total Power On Time (Not Resettable)
PwronHr2	XXXXXXXXH		Current Power On Time (Resettable)
PwronRst	Pass Code = 038		Reset Current Power On Time
NOW TMP	TMP: XXX F / XXX C		Current Temperature
MAX TMP1	TMP: XXX F / XXX C		Current Max. Temperature (Resettable) ⁽¹⁾
MAX TMP2	TMP: XXX F / XXX C		Max. Temperature (Not Resettable) ⁽²⁾
TMP RST	Pass Code = 038		Reset Current Max. Temperature
INFORMAT	R1-3 / G1-3 / B1-4 / W1-3 / RGBS / RGBD / RGBd / WSTR / WDIM / Wdel /MACR / PROG / SPEE / STRO / DIM / dely		Current DMX Values ⁽³⁾
	VX.XX		Current Software Version

Notes:

(1) Current Maximum Temperature - Maximum fixture temp. that has been recorded, before reset and after reset.

(2) Maximum Temperature - Overall maximum fixture temp. that has been recorded. (Not Resettable).

(3) DMX Value options depend on the DMX Channel mode setting.

DMX MODE - The submenus listed under **DMX MODE** are as follows: **ADDR (Address)**, **CHAN (Channel Mode)**, and **NO (No DMX Status)**.

- **ADDR** - In this submenu you are able to find and set your desired DMX address.
- **CHAN** - In this submenu you are able to find and set your desired DMX channel mode.
- **NO** - This setting is used as a precaution mode in case the DMX signal is lost or interrupted. The operating mode chosen is the running mode the fixture will go into when the DMX signal is lost. Listed below are the 3 modes.
 - **HOLD** - This setting will have the fixture stay in the last DMX setup.
 - **BLACK** - This setting will have the fixture automatically go into blackout mode.
 - **PROG** - This setting will have the fixture run an internal program.

PERSONALITY - The submenus listed under **PERSONALITY** are as follows: **Primary**, **Secondary**, **IR**, **Dim Mode**, **LED Refresh Rate**, **GMA (Gamma)**, **BACK (BACKLIGHT)**, **USB**, **SOFT (SOFTWARE UPDATE)**, and **REST (RESET)**.

- **PRI** - Set the unit to act as the Primary unit in a primary-secondary set up.
- **SEC** - Set the unit to act as the Secondary unit in a primary-secondary set up.
- **IR** - In this submenu you can activate the IR sensor for use with IR remote.
- **STANDARD, STAGE, TV, ARCHI, THEATRE, STAGE 2** - In this submenu you are able to set your desired dimmer mode or dimming speed. See the dimmer curve chart on page 23 for more information.
- **1200, 900-1500, 2500, 4000-6000, 10000, 15000, 20000, 25000HZ** - In this submenu you are able to set your desired LED refresh rate.
- **GMA** - In this submenu you are able to set your desired gamma brightness.
- **BACK** - In this submenu you are able to adjust the display blackout time.
- **LOCK** - In this submenu you are able to adjust the display lock time.
- **USB** - In this submenu you are able to power the USB port on/off.
- **SOFT** - In this submenu you are able to update the unit to the latest software version.
- **REST** - In this submenu you are able to reset the unit to its factory (default) settings.

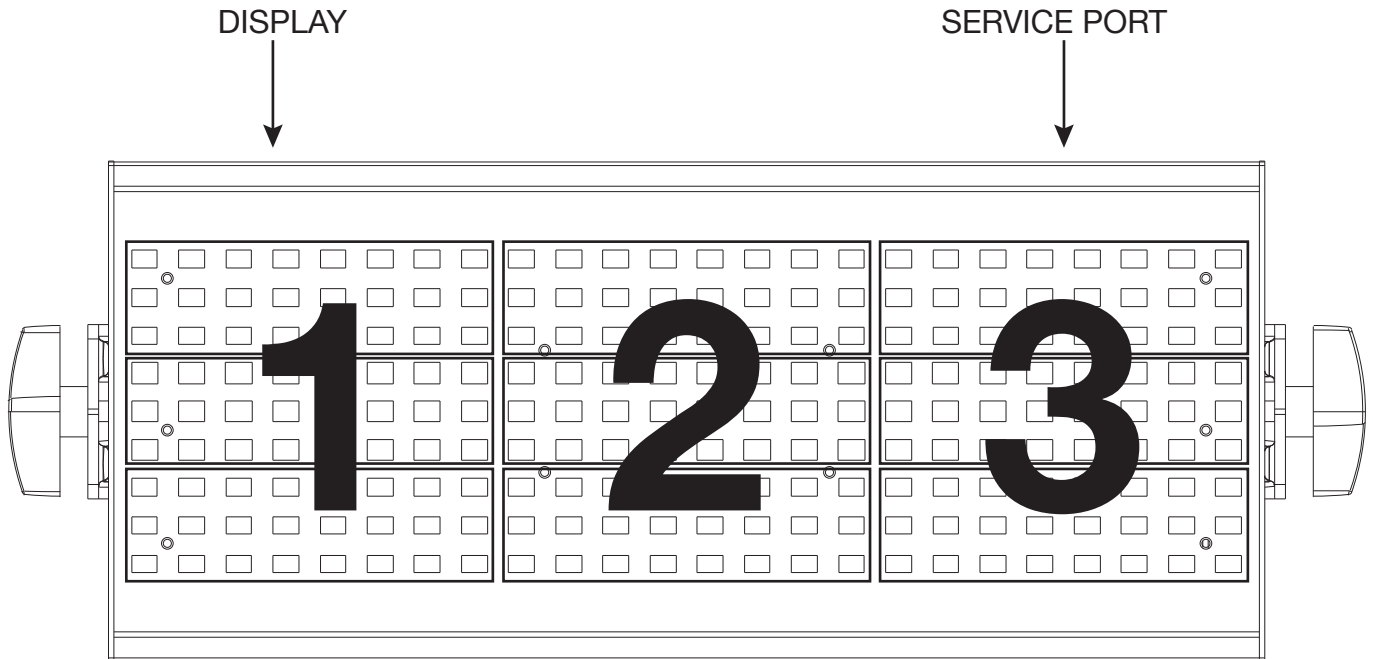
MANUAL - This submenu is for manual control and testing.

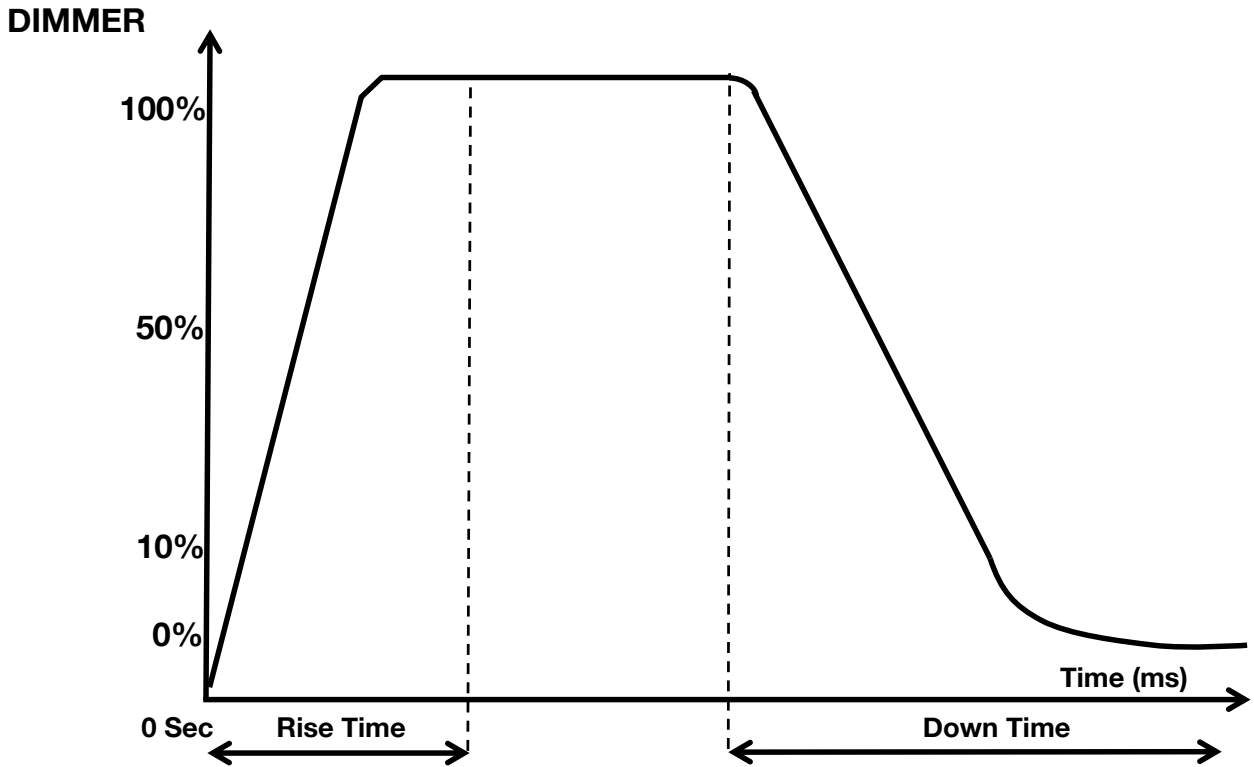
INTERNAL PROGRAMS - This menu allows you to select 1 of 16 (0-16) internal programs to run. The internal program speed and fade speeds are adjustable. The internal programs can also be run as sound active.

INFORMATION

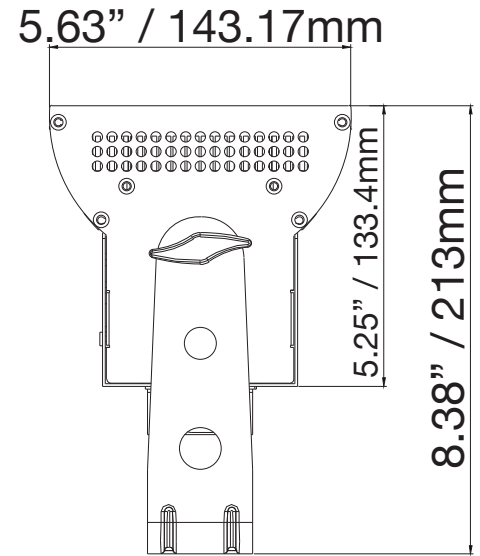
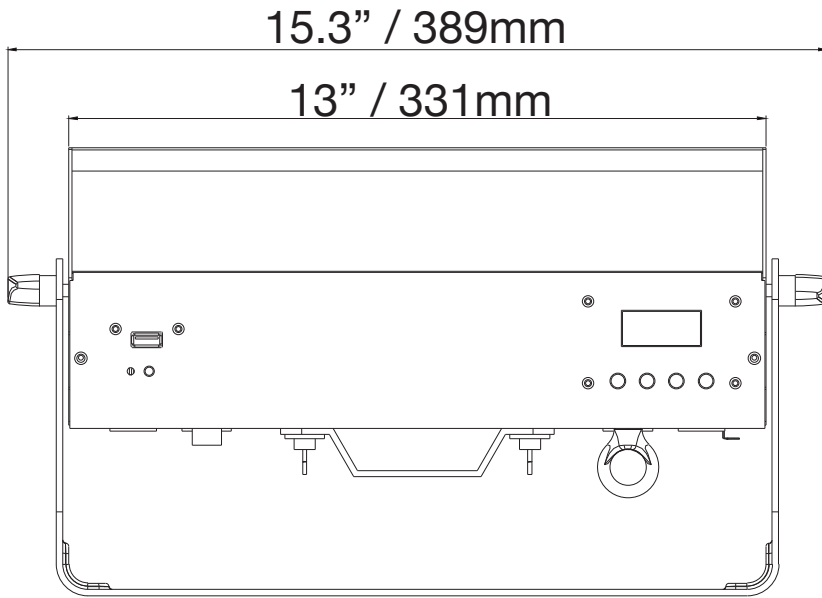
- **PwronHr1** - The **TOTAL** power ON running time of the unit is displayed. This time **CANNOT** be reset.
- **PwronHr2** - The **CURRENT** power ON running time of the unit is displayed. This running time may not be the same as the **TOTAL** power ON running time displayed under "**PwronHr1**". This time **CAN** be reset.
- **PwronRst** - Reset the **CURRENT** power ON running time that is displayed under "**PwronHr2**".
- **NOW TMP** - The current temperature of the unit will be displayed.
- **MAX TMP1** - The current maximum temperature (before reset) reached will be displayed. This recorded temperature **CAN** be reset.
- **MAX TMP2** - The maximum temperature reached will be displayed. This maximum temperature **CANNOT** be reset.
- **TMP RST** - Reset the **CURRENT** maximum temperature that is displayed under "**MAX TMP1**".
- **INFORMAT XXX (Current DMX Values)** - Displays the DMX values of any DMX channel that is currently in use. **NOTE: DMX value options depend on the current DMX channel mode setting.**
- **INFORMAT VX.XX (Software Version)** - Current software version is displayed.

This fixture features pixel zone control. See the diagram below, which illustrates the specific pixel zone set up.





Dimming Curve Ramp Effect	0 sec Fade Time		1 sec Fade Time	
	Rise Time (ms)	Down Time (ms)	Rise Time (ms)	Down Time (ms)
Standard (default)	0	0	0	0
Stage	780	1100	1540	1660
TV	1180	1520	1860	1940
Architectural	1380	1730	2040	2120
Theatre	1580	1940	2230	2280
Stage 2	0	1100	0	1660



Jolt 300

Fuse Replacement

Unplug the unit from any power source it may be connected to. Once the power has been disconnected, use a flat head screw driver to unscrew the fuse holder located on the bottom of the unit. Remove the bad fuse and replace with a new one, and screw the fuse holder back in.

Jolt 300

Multiple Unit Power Linking

With this feature you can connect the fixtures to one another using the power cable input and output sockets.

NOTE: USE CAUTION WHEN POWER LINKING OTHER FIXTURES AS THE POWER CONSUMPTION OF OTHER MODEL FIXTURES MAY EXCEED THE MAX POWER OUTPUT ON THIS FIXTURE! CHECK SILK SCREEN FOR MAX AMPS.

Jolt 300

Trouble Shooting

Listed below are a few common problems the user may encounter, with solutions.

Unit not responding to DMX:

1. Check that the DMX cables are connected properly and are wired correctly (pin 3 is “hot”; on some other DMX devices pin 2 may be ‘hot’). Also, check that all cables are connected to the right connectors; it does matter which way the inputs and outputs are connected.

Jolt 300

Cleaning

Due to fog residue, smoke, and dust cleaning the internal and external optical lenses must be carried out periodically to optimize light output.

1. Use normal glass cleaner and a soft cloth to wipe down the outside casing.
2. Clean the external optics with glass cleaner and a soft cloth every 20 days.
3. Always be sure to dry all parts completely before plugging the unit back in.

Cleaning frequency depends on the environment in which the fixture operates (i.e. smoke, fog residue, dust, dew).

MANUFACTURER'S LIMITED WARRANTY

- A. ADJ Products, LLC hereby warrants, to the original purchaser, ADJ Products, LLC products to be free of manufacturing defects in material and workmanship for a prescribed period from the date of purchase (see specific warranty period on reverse). This warranty shall be valid only if the product is purchased within the United States of America, including possessions and territories. It is the owner's responsibility to establish the date and place of purchase by acceptable evidence, at the time service is sought.
- B. For warranty service you must obtain a Return Authorization number (RA#) before sending back the product—please contact ADJ Products, LLC Service Department at 800-322-6337. Send the product only to the ADJ Products, LLC factory. All shipping charges must be pre-paid. If the requested repairs or service (including parts replacement) are within the terms of this warranty, ADJ Products, LLC will pay return shipping charges only to a designated point within the United States. If the entire instrument is sent, it must be shipped in its original package. No accessories should be shipped with the product. If any accessories are shipped with the product, ADJ Products, LLC shall have no liability whatsoever for loss of or damage to any such accessories, nor for the safe return thereof.
- C. This warranty is void if the serial number has been altered or removed; if the product is modified in any manner which ADJ Products, LLC concludes, after inspection, affects the reliability of the product; if the product has been repaired or serviced by anyone other than the ADJ Products, LLC factory unless prior written authorization was issued to purchaser by ADJ Products, LLC; if the product is damaged because not properly maintained as set forth in the instruction manual.
- D. This is not a service contract, and this warranty does not include maintenance, cleaning or periodic check up. During the period specified above, ADJ Products, LLC will replace defective parts at its expense with new or refurbished parts, and will absorb all expenses for warranty service and repair labor by reason of defects in material or workmanship. The sole responsibility of ADJ Products, LLC under this warranty shall be limited to the repair of the product, or replacement thereof, including parts, at the sole discretion of ADJ Products, LLC. All products covered by this warranty were manufactured after August 15, 2012, and bear indentifying marks to that effect.
- E. ADJ Products, LLC reserves the right to make changes in design and/or improvements upon its products without any obligation to include these changes in any products theretofore manufactured.

No warranty, whether expressed or implied, is given or made with respect to any accessory supplied with products described above. Except to the extent prohibited by applicable law, all implied warranties made by ADJ Products, LLC in connection with this product, including warranties of merchantability or fitness, are limited in duration to the warranty period set forth above. And no warranties, whether expressed or implied, including warranties of merchantability or fitness, shall apply to this product after said period has expired. The consumer's and/or Dealer's sole remedy shall be such repair or replacement as is expressly provided above; and under no circumstances shall ADJ Products, LLC be liable for any loss or damage, direct or consequential, arising out of the use of, or inability to use, this product.

This warranty is the only written warranty applicable to ADJ Products, LLC Products and supersedes all prior warranties and written descriptions of warranty terms and conditions heretofore published.

MANUFACTURER'S LIMITED WARRANTY PERIODS:

- **Non L.E.D. Lighting Products = 1-year (365 days) Limited Warranty** (Such as: Special Effect Lighting, Intelligent Lighting, UV lighting, Strobes, Fog Machines, Bubble Machines, Mirror Balls, Par Cans, Trussing, Lighting Stands etc. excluding LED and lamps)
- **Laser Products = 1 Year (365 Days) Limited Warranty** (excluding laser diodes which have a 6 month limited warranty)
- **L.E.D. Products = 2-year (730 days) Limited Warranty** (excluding batteries which have a 180 day limited warranty).
Note: 2 Year Warranty only applies to purchases within the United States.
- **StarTec Series = 1 Year Limited Warranty** (excluding batteries which have a 180 day limited warranty).
- **ADJ DMX Controllers = 2 Year (730 Days) Limited Warranty**

Model: Jolt 300

Voltage:	100V ~ 240V/50~60Hz
LEDs:	144 x 1.5W SMD (3-in-1) RGB LED's 144 x 0.5W SMD White LED's
Working Position:	Any safe working position
Power Draw:	226W
Fuse:	3A
Dimensions:	15.3" (L) x 5.63" (W) x 8.38" (H) 389 x 143.17 x 213mm
Weight:	10.5lbs. / 4.75 kgs
Colors:	RGB Color Mixing + White
DMX Channels:	8 DMX Modes: 4/8/A10/B10/12/15/A18/B18
Warranty:	2 Year (730 days)

Please Note: Specifications and improvements in the design of this unit and this manual are subject to change.