



K.2 Series Active Loudspeakers

Features

- Best in class audio performance
- 2000 Watt Class-D amplifier module
- Factory Presets and savable/recallable Scenes for commonly-used applications
- Multi-function digital display for control and selection of loudspeaker functions including cross-over, EQ, delay and frequency contour
- Intrinsic Correction™ tuning and loudspeaker management
- Directivity Matched Transition™ (DMT) design provides excellent power response and consistent performance across the listening area
- Refined, professional appearance looks great in any application
- Rugged ABS enclosure for long life and lasting durability
- Deployment in either main PA or floor monitor position
- Dual pole cup mounts (standard and 7.5 degree down-tilt)
- M10 fittings for flown applications
- Optional security panel prevents unauthorized tampering of controls
- Complete EASE and CAD information available online
- 6-Year Warranty with product registration



K8.2 | K10.2 | K12.2

The QSC K.2 Series™ represents the best-in-class loudspeaker for today's demanding audio professionals. The perfect combination of elegant design, superior audio performance, high functionality, simple and intuitive operation, and genuine QSC reliability, K.2 delivers extraordinary results for users in both portable and installed applications.

Advanced Power and DSP: The 2000 Watt power module delivers ample burst and continuous power for the loudspeaker's premium drivers. It has been designed with very low-noise fan cooling, enabling the enclosures to be used in settings where background noise must be kept to a minimum. Carefully tailored, subtle and sophisticated dynamics processing is used to protect the drivers from damage and the performance from distortion.

Presets: The user may select from an extensive list of factory preset EQ contours including Live, Dance, Monitor, and many more.

Scenes: Savable and recallable Scenes can store information like user EQ, Delay, and input configuration settings.

Inputs: A pair of balanced combo XLR/F plus 1/4" TRS connectors with independent gain control are provided. The first is equipped with selectable MIC/LINE (Microphone or Line) level input while the second offers selectable HI-Z/ LINE (High Impedance or Line) level input, specifically for musical instruments. Both inputs are connected directly to a pair of XLR/M throughput connectors so that the signals may be "daisy-chained" to another audio device. A 3.5 mm TRS input jack with independent gain control is also provided for connection of sources such as smart phones, computers, and MP3 players.

Outputs: In addition to the two throughput XLRs, a line-level output with the mixed signal from all inputs is also provided.

(An optional security cover (K.2 LOC) may be installed to prevent unauthorized tampering of settings)

Coverage: Directivity Matched Transition™ (DMT) design matches the coverage angle of the woofer at the cross-over frequency with the horn pattern to ensure uniform response across the coverage area. Intrinsic Correction™ techniques are also employed ensuring smooth power response from the loudspeaker. The result is an extremely accurate loudspeaker that behaves well in a wide range of acoustic spaces with little or no equalization.

Flexible Design: Each model is housed in a rugged ABS enclosure with a professional yet unobtrusive appearance that is at home in any application. Each model can be utilized in either main PA or floor monitor applications, while ergonomic handles and a heavy-duty steel grille with fabric lining further enhance overall appearance and functionality. The dual pole cups allow a zero or 7.5 degree downward tilt when deployed on a pole. This allows for more even coverage across the listening area and less problems due to rear wall reflections. For suspended applications, integrated M10 fittings with a single pullback are included to accommodate M10 eyebolts. An optional yoke mount accessory is also available for permanent installation to walls and ceilings or for temporary attachment to truss (requires 3rd party hardware).

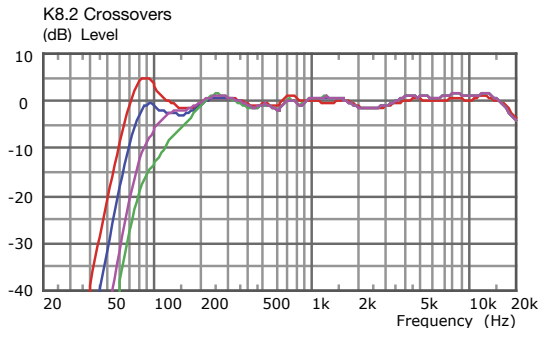
Robust QSC quality and reliability backed by a global 6-Year Warranty with product registration.

K.2 Series Specifications

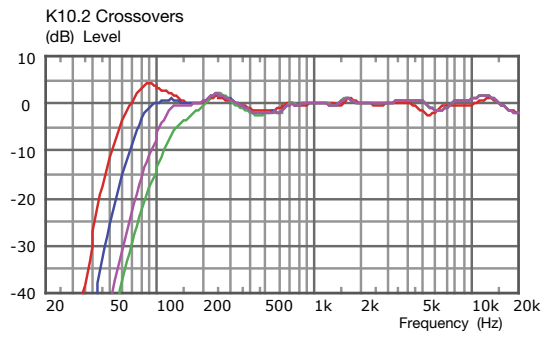
	K8.2	K10.2	K12.2
Configuration:	Multi-purpose, 2-way active loudspeaker		
LF Transducer:	203 mm (8 in) cone	254 mm (10 in) cone	305 mm (12 in) cone
HF Transducer:	35.6 mm (1.4 in) titanium diaphragm compression driver		
Frequency Response (-6 dB):	59 Hz - 20 kHz	56 Hz - 20 kHz	50 Hz - 20 kHz
Frequency Range (-10 dB):	55 Hz - 20 kHz	50 Hz - 20 kHz	45 Hz - 20 kHz
Nominal Coverage Angle:	105° Axisymmetric	90° Axisymmetric	75° Axisymmetric
Maximum Rated SPL1: Amplifier:	128 dB Peak 1 Class D Peak: 1800 W (LF), 225 W (HF)	30 dB Peak	132 dB Peak
Cooling:	Low-noise, variable speed fan		
Controls:	Power 3 x Level Rotary encoder 2 x selection buttons		
Indicators:	Monochrome LCD Display 45 mm x 25.4 mm (1.75 in x 1 in) 2 x Power LED (front and rear) 3 x Input Signal LED Input A MIC selected LED Input B HI-Z selected LED Limiter active LED		
Connectors:	2 x locking XLR/F ¼" combo (Mic/Line Input and Hi-Z/Line Input) 1 x 3.5 mm TRS (Stereo Input) 2 x XLR/M (Loop-thru Output) 1 x XLR/M (Mix Output) 1 x locking IEC power connector		
AC Power Input:	Universal power supply 100 – 240 VAC, 50 – 60 Hz		
AC Power Consumption 1/8th Power:	100 VAC, 2.1 A • 120 VAC, 1.9 A • 240 VAC, 1.1 A		
Enclosure Details			
Enclosure:	Impact Resistant ABS		
Attachment Points:	2 x M10 threaded inserts plus integrated Pull-Back		
Color:	Black (RAL 9011)		
Grille:	18 Gauge powder coated steel, internal cloth lining		
Dimensions (H x W x D):	449 x 280 x 269 mm 17.7 x 11 x 10.6 in	519 x 320 x 300 mm 20.4 x 12.6 x 11.8 in	602 x 356 x 350 mm 23.7 x 14 x 13.8 in
Net Weight:	12.2 kg (27 lb)	14.5 kg (32 lb)	17.7 kg (39 lb)
Shipping Weight:	14.4 kg (31.8 lb)	17.6 kg (38.8 lb)	21.7 kg (47.8 lb)
Regulatory:	CE, RAEE, UL, China RoHS, RoHS II, FCC Class B		
Optional Accessories:	K8 Tote, K8 Outdoor Cover M10 Kit-C, K.2 LOC (Lock-Out Cover) K8.2 Yoke	K10 Tote, K10 Outdoor Cover M10 Kit-C, K.2 LOC (Lock-Out Cover) K10.2 Yoke	K12 Tote, K12 Outdoor Cover M10 Kit-C, K.2 LOC (Lock-Out Cover) K12.2 Yoke

¹ Peak SPL is measured on-axis at 1 m, with dynamic pink noise.

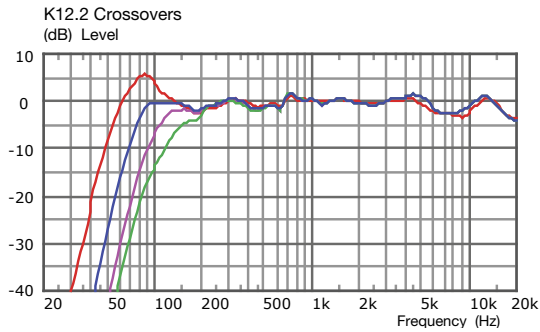
K8.2 On-Axis Frequency Response:



K10.2 On-Axis Frequency Response:



K12.2 On-Axis Frequency Response:



- Full Range
- 80 Hz
- 100 Hz
- 125 Hz

* With default EQ preset.



K12.2 on loudspeaker stand with 7.5 degree down-angle

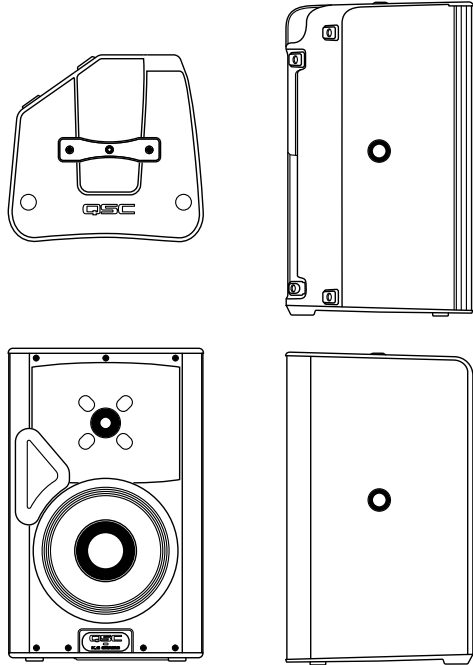


K10.2 shown with Yoke bracket (coupler sold separately)

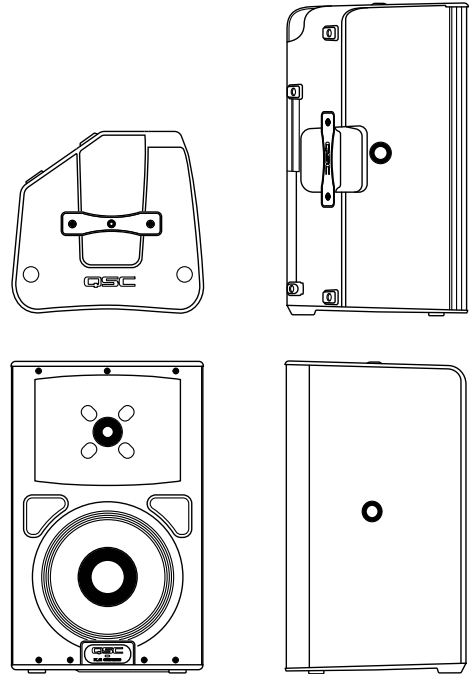


K8.2 shown in floor monitor position

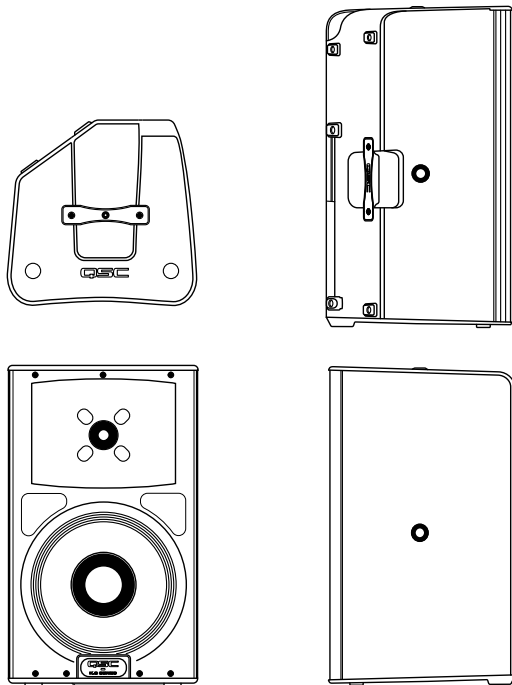
K8.2



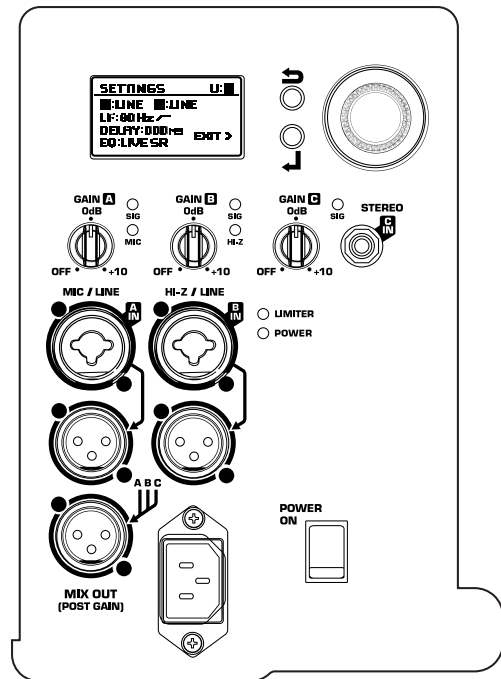
K10.2



K12.2



Back Panel



1477-2019-EN