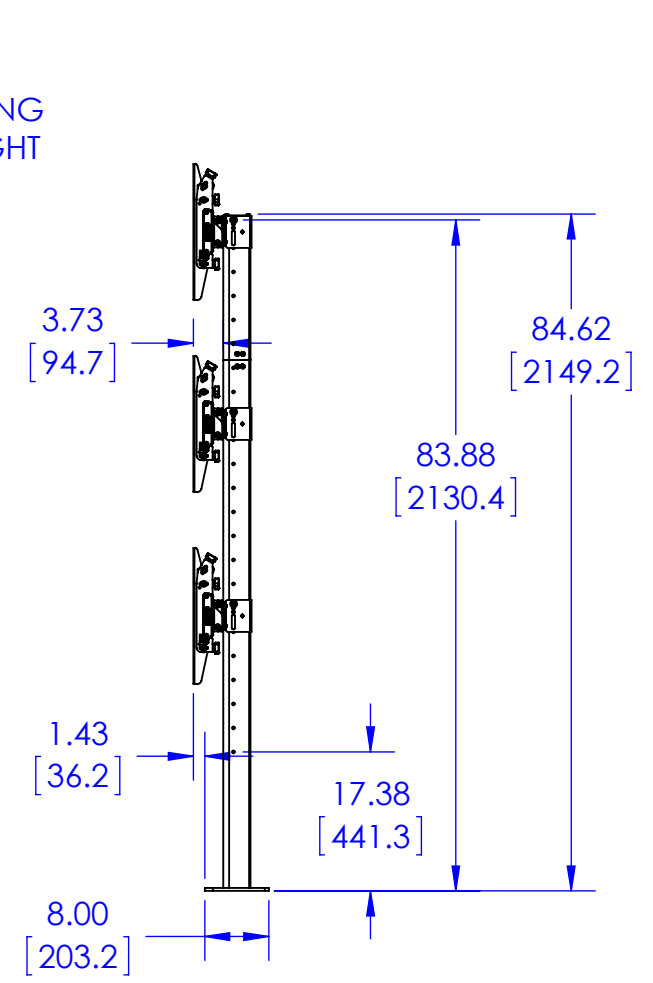
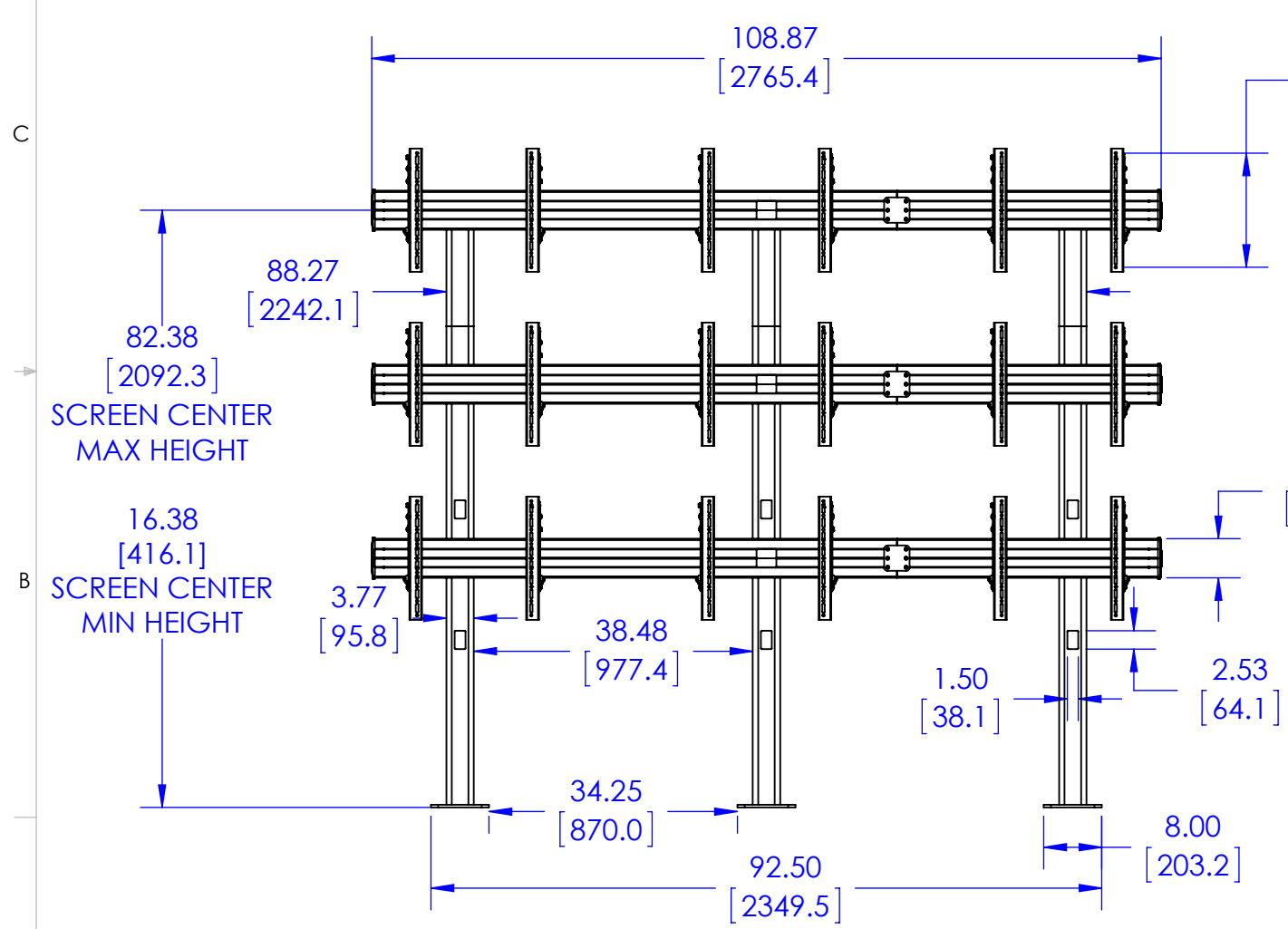
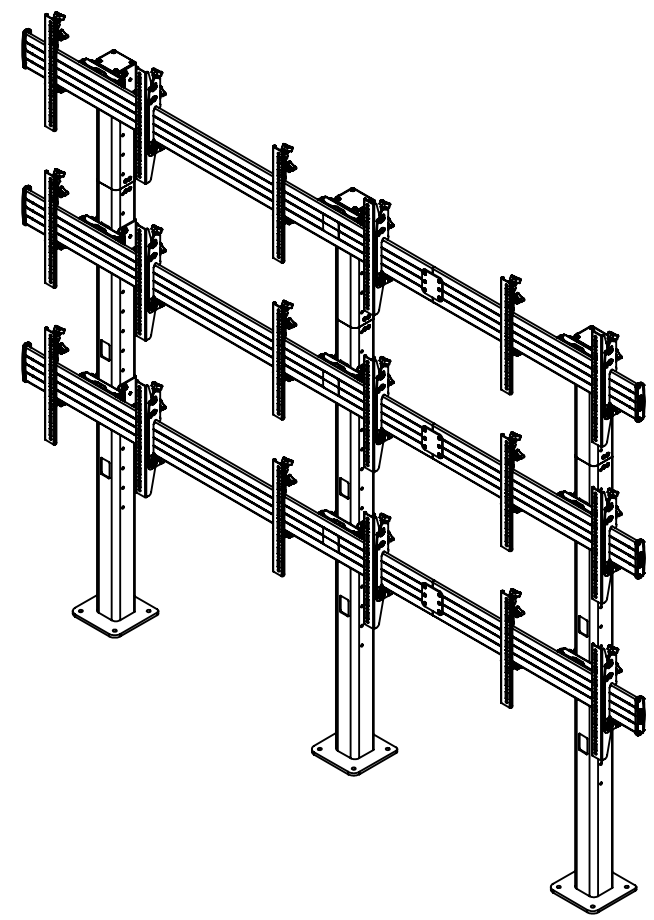


**MAX WEIGHT:  
100 LBS PER DISPLAY  
900 LBS TOTAL**

STATUS: MJS 12/17/2012 - RELEASED ON ECO: 500006872

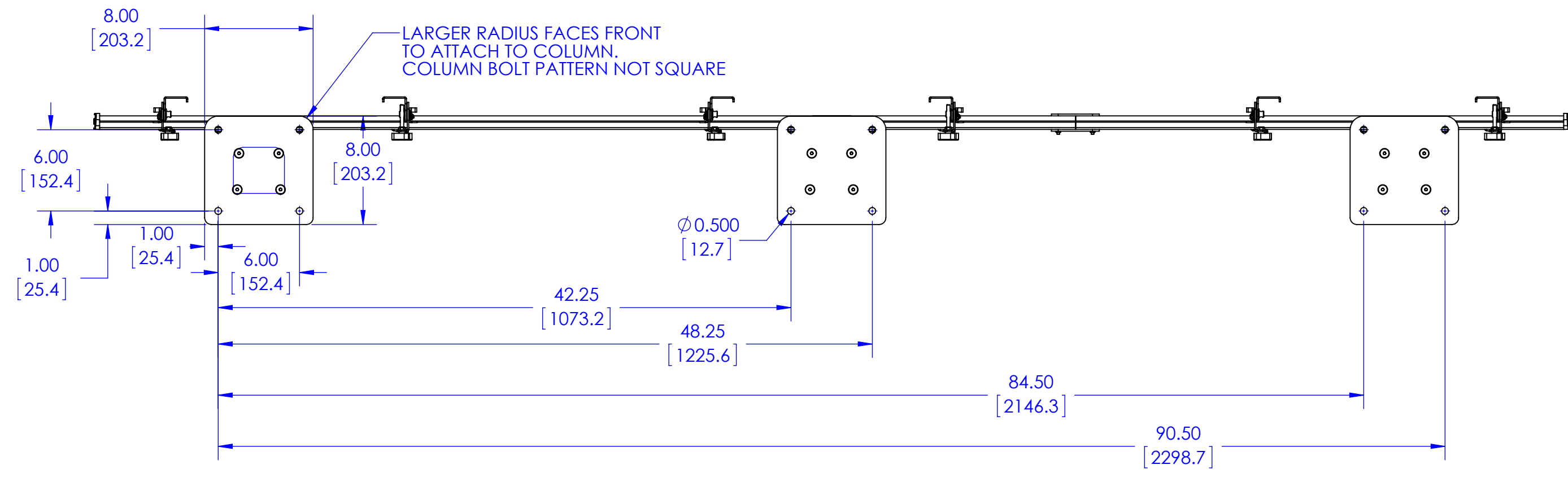
TECH-000127



**THE INFORMATION AND DESIGNS CONTAINED IN THIS DRAWING ARE CONFIDENTIAL AND THE PROPRIETARY PROPERTY OF MILESTONE AV TECHNOLOGIES NEITHER THIS DESIGN NOR ANY INFORMATION CONTAINED IN THIS DRAWING MAY BE REPRODUCED OR DISCLOSED TO OTHERS WITHOUT THE EXPRESS WRITTEN CONSENT OF MILESTONE AV TECHNOLOGIES.**

CAD GENERATED DRAWING, DO NOT MANUALLY UPDATE.			6436 CITY WEST PKWY EDEN PRAIRIE MN, 55344 PHONE: 866-977-3901 FAX: 877-894-6918	
DRAWN BY	MJS	12/6/2012		
ENG APPROVAL	MJS	12/6/2012	DESCRIPTION <b>LBM3X3U, BOLT DOWN FUSION 3X3 VIDEO WALL</b>	
MFG APPROVAL			MODEL NO. <b>LBM3X3U</b>	
QA APPROVAL			SIZE <b>B</b>	DWG. NO. <b>TECH-000127</b>
SHEET 1 OF 2		SCALE <b>1:24</b>	REV. <b>00</b>	

# BOTTOM VIEW FOR BOLT DOWN INSTALATION



THE INFORMATION AND DESIGNS CONTAINED IN THIS DRAWING ARE CONFIDENTIAL AND THE PROPRIETARY PROPERTY OF MILESTONE AV TECHNOLOGIES NEITHER THIS DESIGN NOR ANY INFORMATION CONTAINED IN THIS DRAWING MAY BE REPRODUCED OR DISCLOSED TO OTHERS WITHOUT THE EXPRESS WRITTEN CONSENT OF MILESTONE AV TECHNOLOGIES.

CAD GENERATED DRAWING, DO NOT MANUALLY UPDATE.			<p>6436 CITY WEST PKWY EDEN PRAIRIE MN, 55344 PHONE: 866-977-3901 FAX: 877-894-6918</p>
DRAWN BY	MJS	12/6/2012	
ENG APPROVAL	MJS	12/6/2012	DESCRIPTION <b>LBM3X3U, BOLT DOWN FUSION 3X3 VIDEO WALL</b>
MFG APPROVAL			
QA APPROVAL			
SHEET 2 OF 2			MODEL NO. <b>LBM3X3U</b>
SCALE	1:8	SIZE	DWG. NO. <b>B TECH-000127</b>
		REV.	00