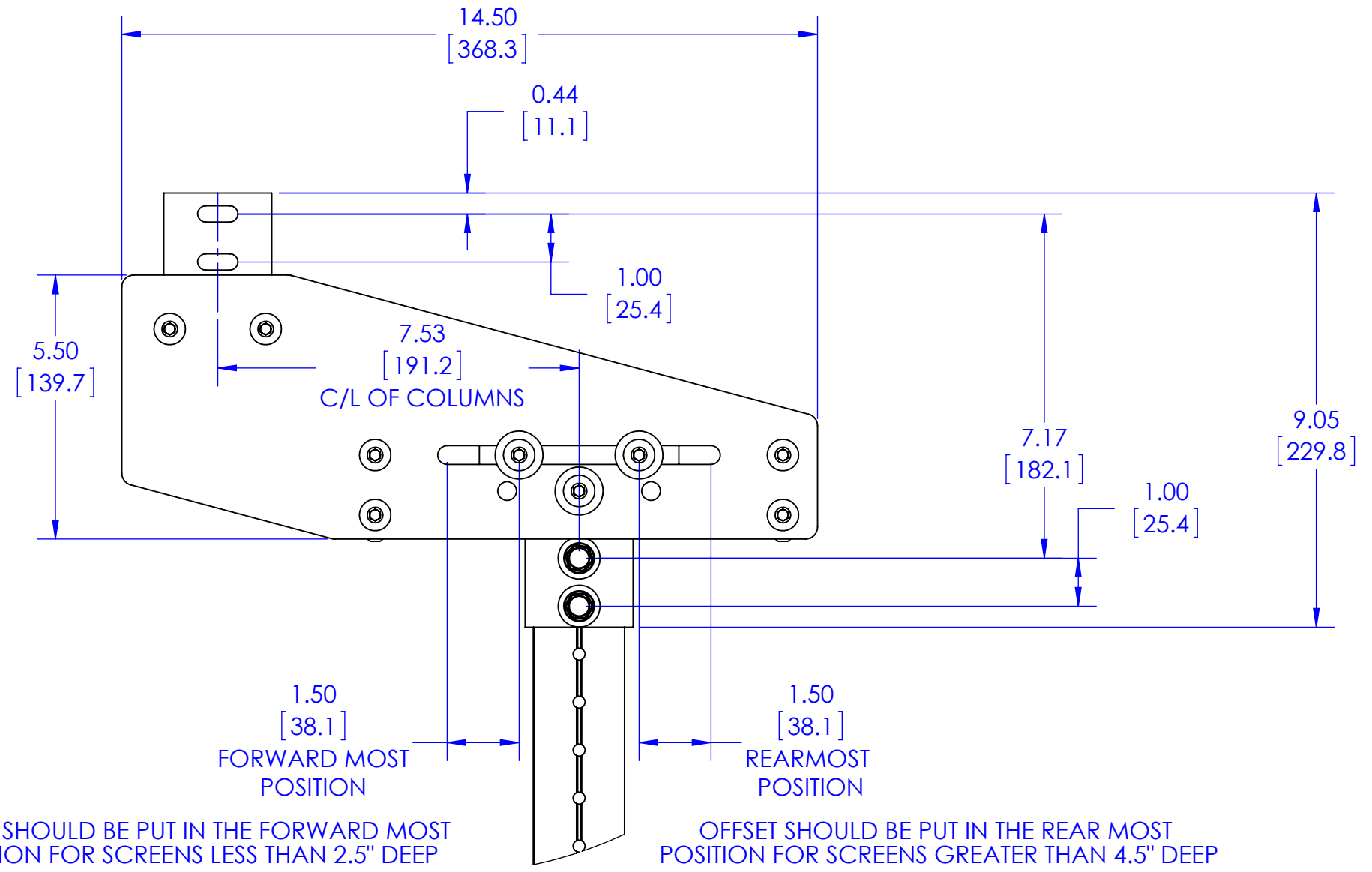
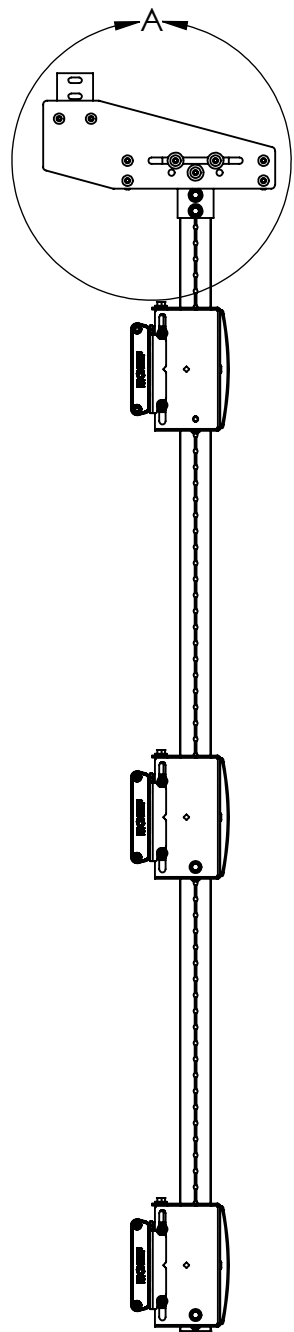


THE INFORMATION AND DESIGNS CONTAINED IN THIS DRAWING ARE CONFIDENTIAL AND THE PROPRIETARY PROPERTY OF MILESTONE AV TECHNOLOGIES NEITHER THIS DESIGN NOR ANY INFORMATION CONTAINED IN THIS DRAWING MAY BE REPRODUCED OR DISCLOSED TO OTHERS WITHOUT THE EXPRESS WRITTEN CONSENT OF MILESTONE AV TECHNOLOGIES.

CAD GENERATED DRAWING, DO NOT MANUALLY UPDATE.			6436 CITY WEST PKWY EDEN PRAIRIE MN, 55344 PHONE: 866-977-3901 FAX: 877-894-6918	
DRAWN BY	JAB 11/29/2012		DESCRIPTION LCM3X3U TECH DRAWING	
ENG APPROVAL		MODEL NO. LCM3X3U TECH DRAWING		
MFG APPROVAL		SCALE	SIZE	DWG. NO.
QA APPROVAL		1:12	B	TECH-000261
SHEET 1 OF 5		REV.	00	



DETAIL A
SCALE 1 : 3

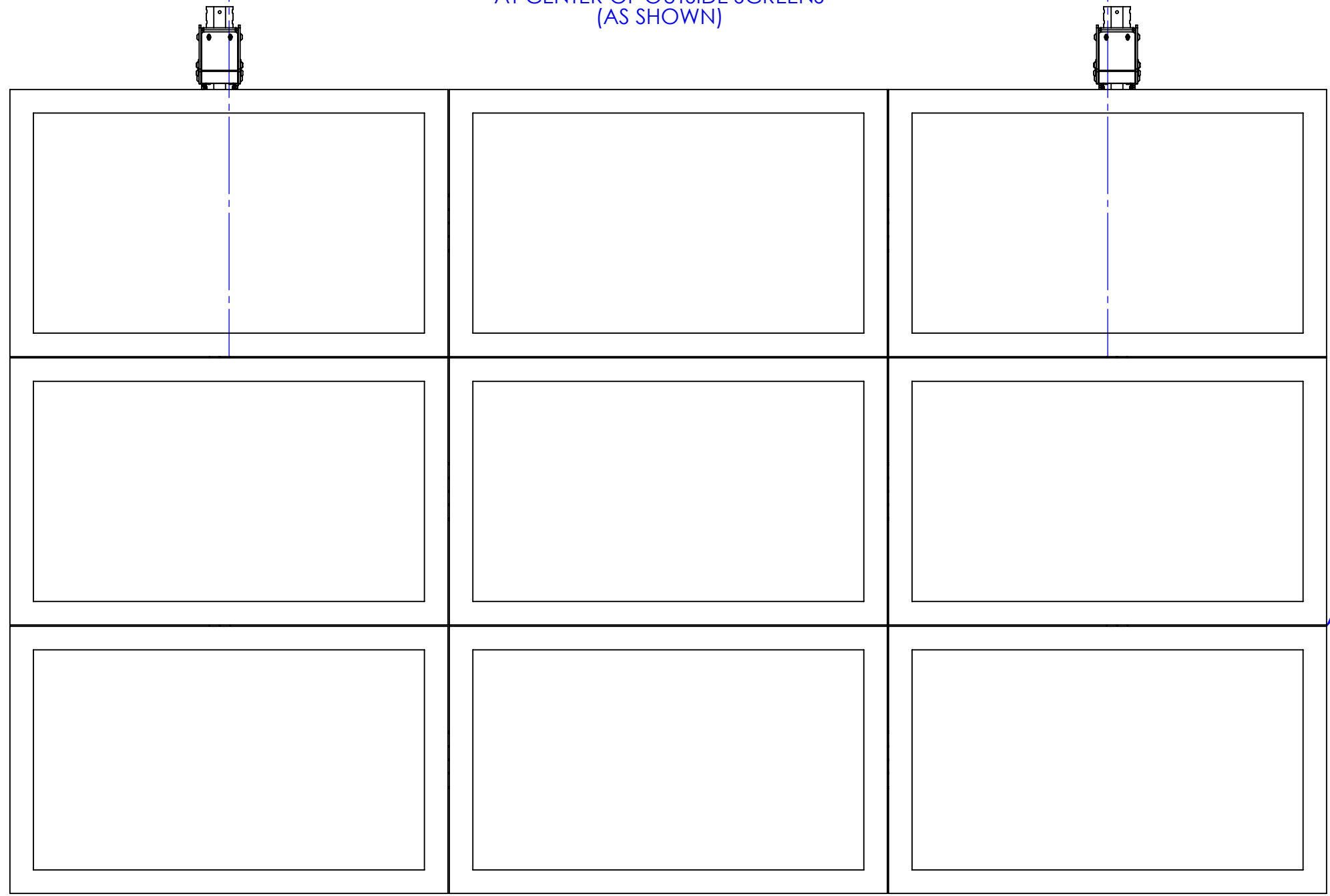
OFFSET SHOULD BE PUT IN THE CENTER POSITION FOR SCREENS BETWEEN 2.5" AND 4.5" DEEP

THE INFORMATION AND DESIGNS CONTAINED IN THIS DRAWING ARE CONFIDENTIAL AND THE PROPRIETARY PROPERTY OF MILESTONE AV TECHNOLOGIES NEITHER THIS DESIGN NOR ANY INFORMATION CONTAINED IN THIS DRAWING MAY BE REPRODUCED OR DISCLOSED TO OTHERS WITHOUT THE EXPRESS WRITTEN CONSENT OF MILESTONE AV TECHNOLOGIES.

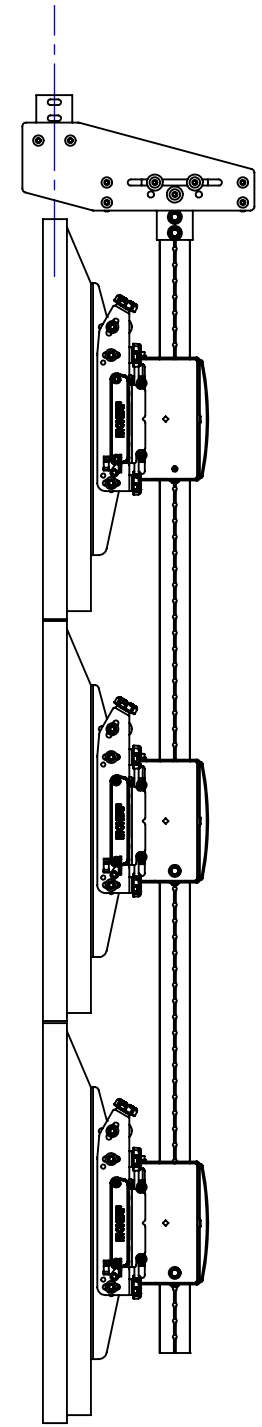
CAD GENERATED DRAWING, DO NOT MANUALLY UPDATE.			<p>6436 CITY WEST PKWY EDEN PRAIRIE MN, 55344 PHONE: 866-977-3901 FAX: 877-894-6918</p>
DRAWN BY	JAB	11/29/2012	
ENG APPROVAL			DESCRIPTION
MFG APPROVAL			LCM3X3U TECH DRAWING
QA APPROVAL			MODEL NO.
SHEET 2 OF 5			LCM3X3U TECH DRAWING
SCALE	1:12	SIZE	DWG. NO.
		B	TECH-000261
			REV.
			00

COLUMNS SHOULD BE APPROXIMATELY SPACED AT CENTER OF OUTSIDE SCREENS (AS SHOWN)

CENTER OF GRAVITY OF SCREENS SHOULD BE AS CLOSE IN LINE WITH THE UPPER COLUMN AS POSSIBLE



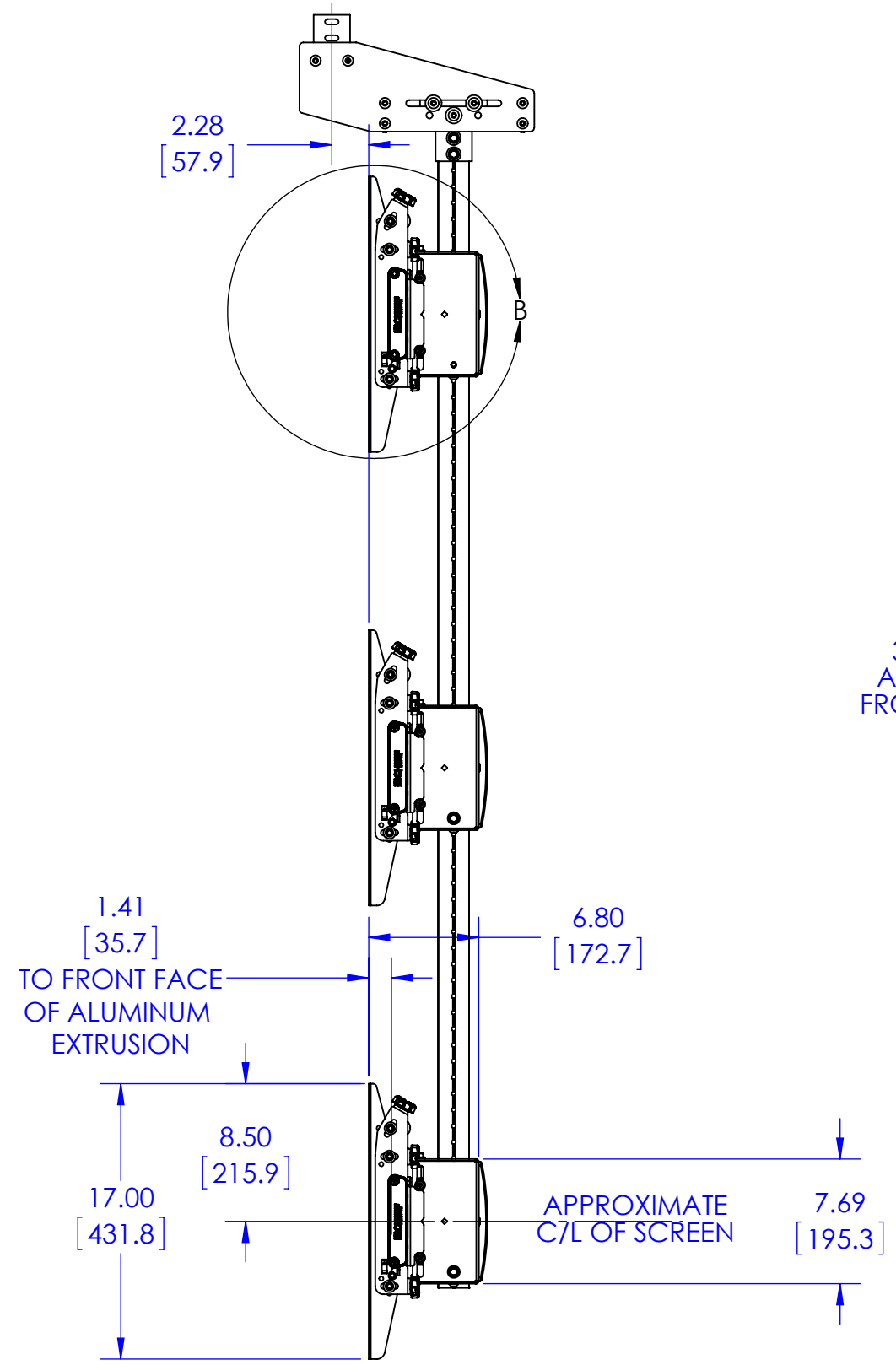
MAINTAIN SLIGHT GAP BETWEEN SCREENS



SHOWN WITH SIMULATED 42" SCREENS

THE INFORMATION AND DESIGNS CONTAINED IN THIS DRAWING ARE CONFIDENTIAL AND THE PROPRIETARY PROPERTY OF MILESTONE AV TECHNOLOGIES NEITHER THIS DESIGN NOR ANY INFORMATION CONTAINED IN THIS DRAWING MAY BE REPRODUCED OR DISCLOSED TO OTHERS WITHOUT THE EXPRESS WRITTEN CONSENT OF MILESTONE AV TECHNOLOGIES.

CAD GENERATED DRAWING, DO NOT MANUALLY UPDATE.			CHIEF 6436 CITY WEST PKWY EDEN PRAIRIE MN, 55344 PHONE: 866-977-3901 FAX: 877-894-6918	
DRAWN BY	JAB	11/29/2012	DESCRIPTION LCM3X3U TECH DRAWING	
ENG APPROVAL			MODEL NO. LCM3X3U TECH DRAWING	
MFG APPROVAL			SIZE DWG. NO. B TECH-000261	
QA APPROVAL			REV. 00	
SHEET 3 OF 5			SCALE 1:12	



3/4" HEIGHT ADJUSTMENT

5.25 [133.4] C/L OF COLUMN

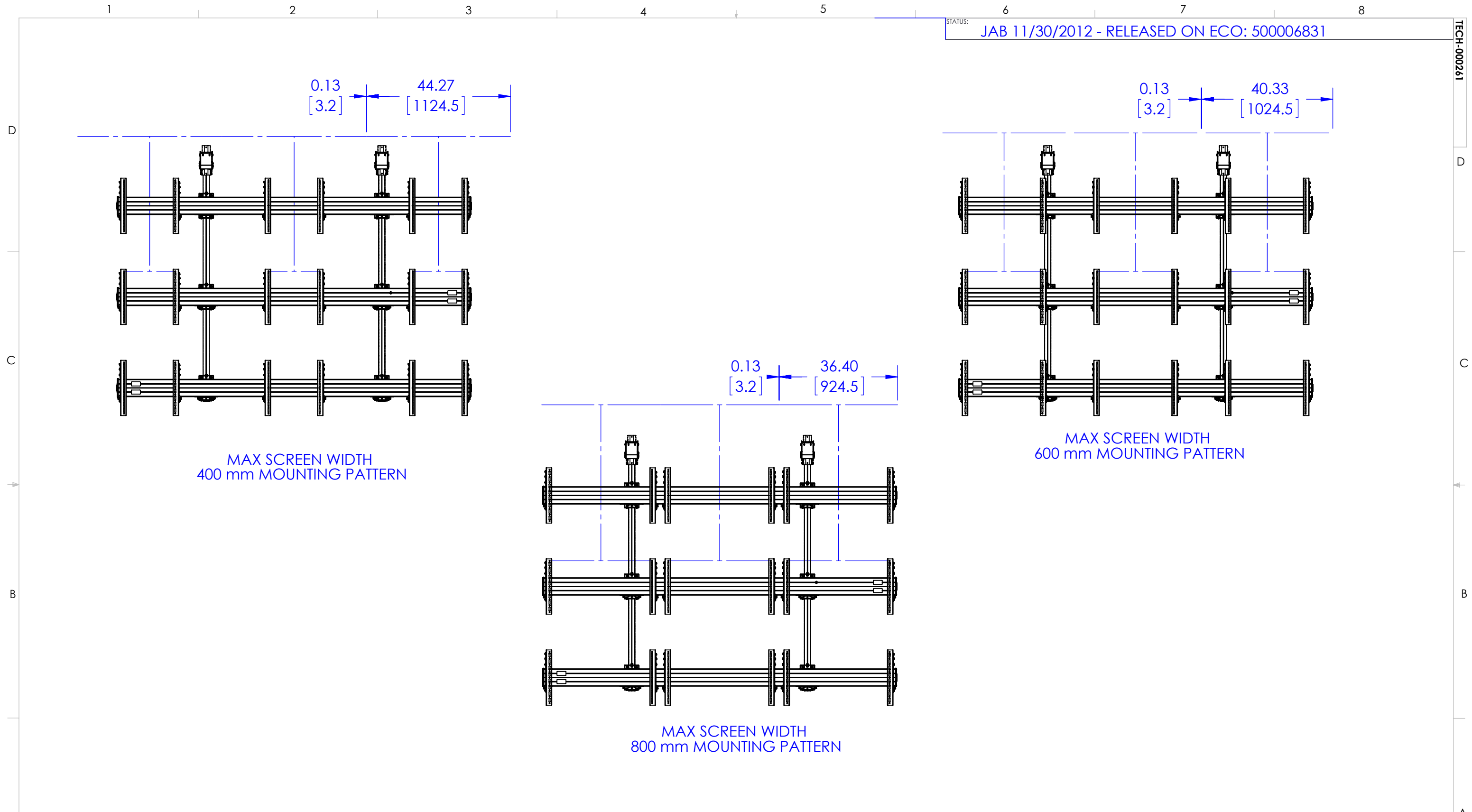
HOLES SPACED AT 1" INCREMENTS ALONG LENGTH OF COLUMN

3/4" TOTAL ADJUSTMENT FRONT TO BACK

DETAIL B SCALE 1 : 3

THE INFORMATION AND DESIGNS CONTAINED IN THIS DRAWING ARE CONFIDENTIAL AND THE PROPRIETARY PROPERTY OF MILESTONE AV TECHNOLOGIES NEITHER THIS DESIGN NOR ANY INFORMATION CONTAINED IN THIS DRAWING MAY BE REPRODUCED OR DISCLOSED TO OTHERS WITHOUT THE EXPRESS WRITTEN CONSENT OF MILESTONE AV TECHNOLOGIES.

CAD GENERATED DRAWING, DO NOT MANUALLY UPDATE.			6436 CITY WEST PKWY EDEN PRAIRIE MN, 55344 PHONE: 866-977-3901 FAX: 877-894-6918		
DRAWN BY	JAB	11/29/2012			
ENG APPROVAL			DESCRIPTION LCM3X3U TECH DRAWING		
MFG APPROVAL					
QA APPROVAL			MODEL NO. LCM3X3U TECH DRAWING		
SHEET 4 OF 5		SCALE 1:16	SIZE B	DWG. NO. TECH-000261	REV. 00



THE INFORMATION AND DESIGNS CONTAINED IN THIS DRAWING ARE CONFIDENTIAL AND THE PROPRIETARY PROPERTY OF MILESTONE AV TECHNOLOGIES NEITHER THIS DESIGN NOR ANY INFORMATION CONTAINED IN THIS DRAWING MAY BE REPRODUCED OR DISCLOSED TO OTHERS WITHOUT THE EXPRESS WRITTEN CONSENT OF MILESTONE AV TECHNOLOGIES.

CAD GENERATED DRAWING, DO NOT MANUALLY UPDATE.			6436 CITY WEST PKWY EDEN PRAIRIE MN, 55344 PHONE: 866-977-3901 FAX: 877-894-6918		
DRAWN BY	JAB	11/29/2012			
ENG APPROVAL			DESCRIPTION LCM3X3U TECH DRAWING		
MFG APPROVAL					
QA APPROVAL			MODEL NO. LCM3X3U TECH DRAWING		
SHEET 5 OF 5		SCALE 1:16	SIZE B	DWG. NO. TECH-000261	REV. 00