

## LTS - 50T™ Portable Trussing System

### LTS-50T Parts List:

- 2 x T-bars
- 6 x Slide mount T-collars
- 1 x Center “I-Beam” Support bar
- 2 x Beam connectors
- 4 x Knobs for beam connectors
- 2 x 5’ Truss I-Beam Sections
- 2 x 9’ Tri-pod stands

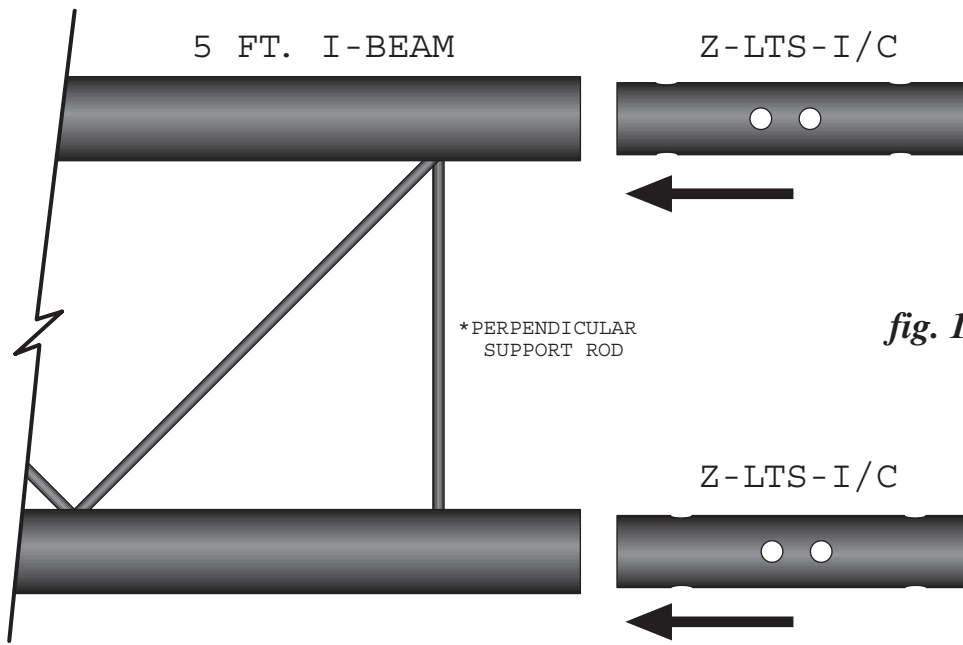
### Instructions for assembling your LTS-50T™:

1. After removing the contents from the box, locate the I-beam connectors and the end of one of one of the 5’ I-beams with the perpendicular, or vertical support rod. Slide the I-beam connector into the I-beam tube. Slide the other connector into the other tube. (See Fig. 1)
2. Insert the connector knob through the I-beam and the connector and fasten with wing nut. Do the same for other connector knob. (See Fig. 2)
3. Now take two of the slide mount T-collar and attach to either end of the center support bar. (See Fig. 3)
4. Slide the center support bar assembly onto the I-beam with attached connectors. (See Fig. 4)
5. Take the other 5’ I-beam (the side with the vertical support rod) and slide it over the beam connector inside the center support bar assembly’s T-collars. (See Fig. 5)
6. With the both I-beams in place, insert the remaining two knobs into the other 5’ I-beam and fasten with wing nut. (See Fig. 6)
7. On the T-collars above and below the center support bar, tighten the small knobs so the full truss is secure. (See Fig. 7)
8. Set up the two Tri-pod stands. Adjust the telescopic adjustment assemblies by loosening the knobs to preferred height. Slide two T-collars each onto the Tri-pod center posts. Move the truss assembly into the T-collars. Then place another T-collar on the very top of each Tri-pod’s center post. (See Fig.8)
9. Tighten the small knobs on the T-collars on the Tri-pod center posts at each end of the truss. Slide a T-bar into each of the top T-collars on the Tri-pod posts. (See Fig. 9)
10. Fasten bolts and wing nuts into T-bar. Finish by tightening the small knobs on the T-collar. (See Fig. 10)
11. Reposition if needed, recheck all connectors, and tighten all fasteners before mounting any fixtures to your completed LTS-50T trussing system.

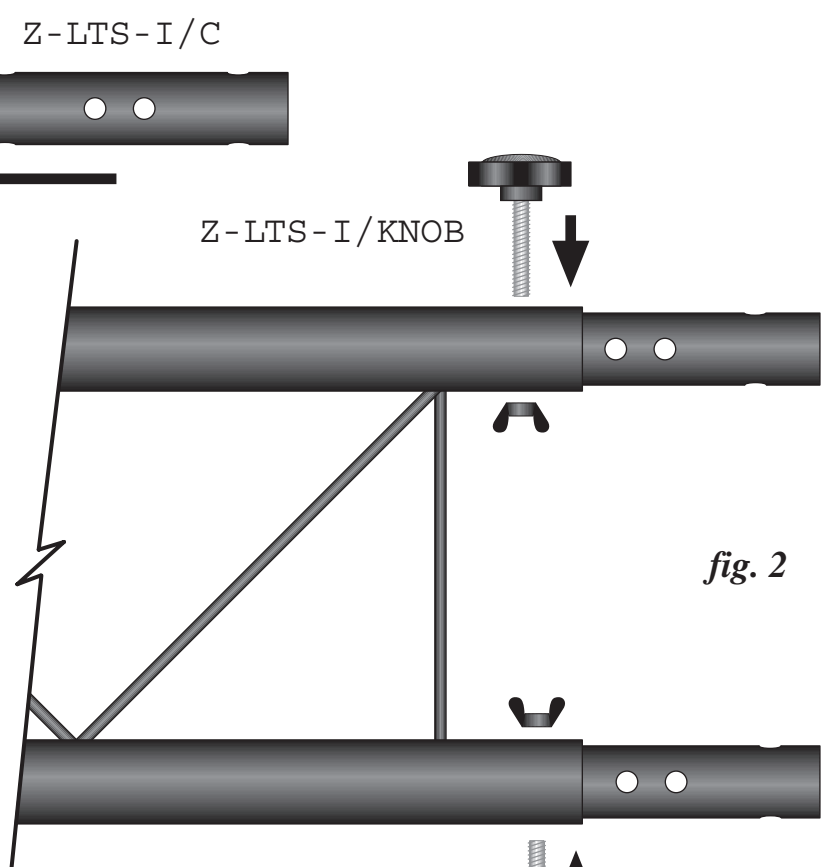
Specifications: Model LTS-50T™

Weight: 42 lbs.

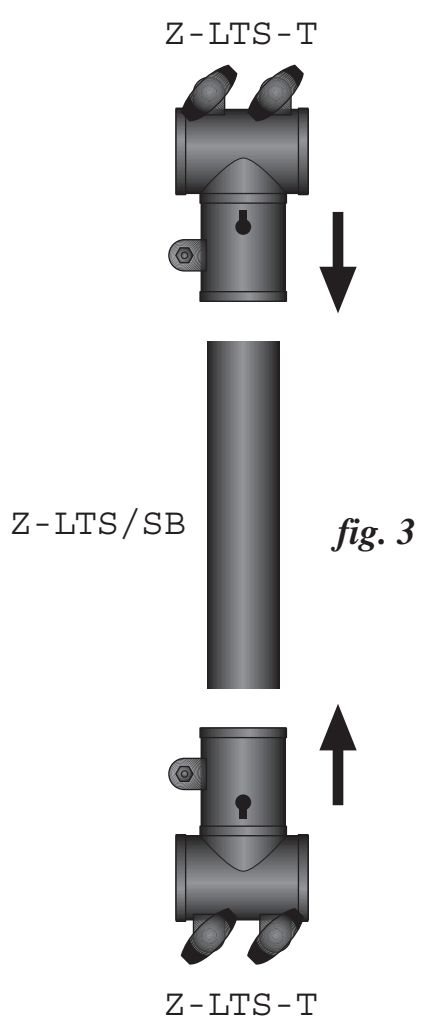
System Capacity: 200 lbs.



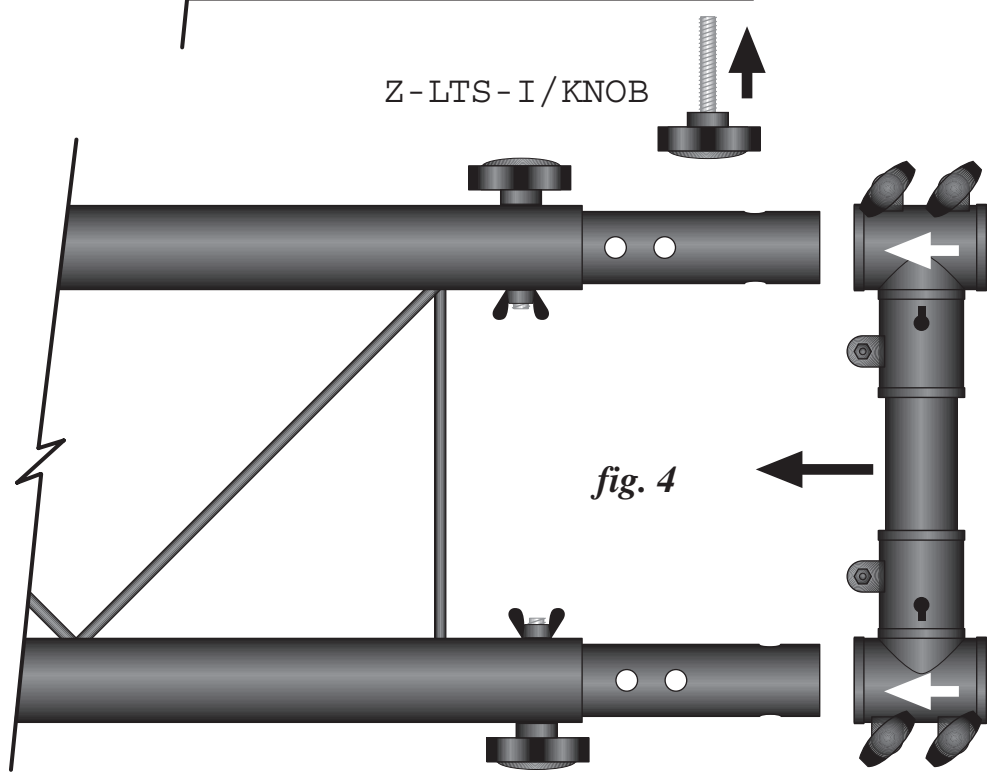
*fig. 1*



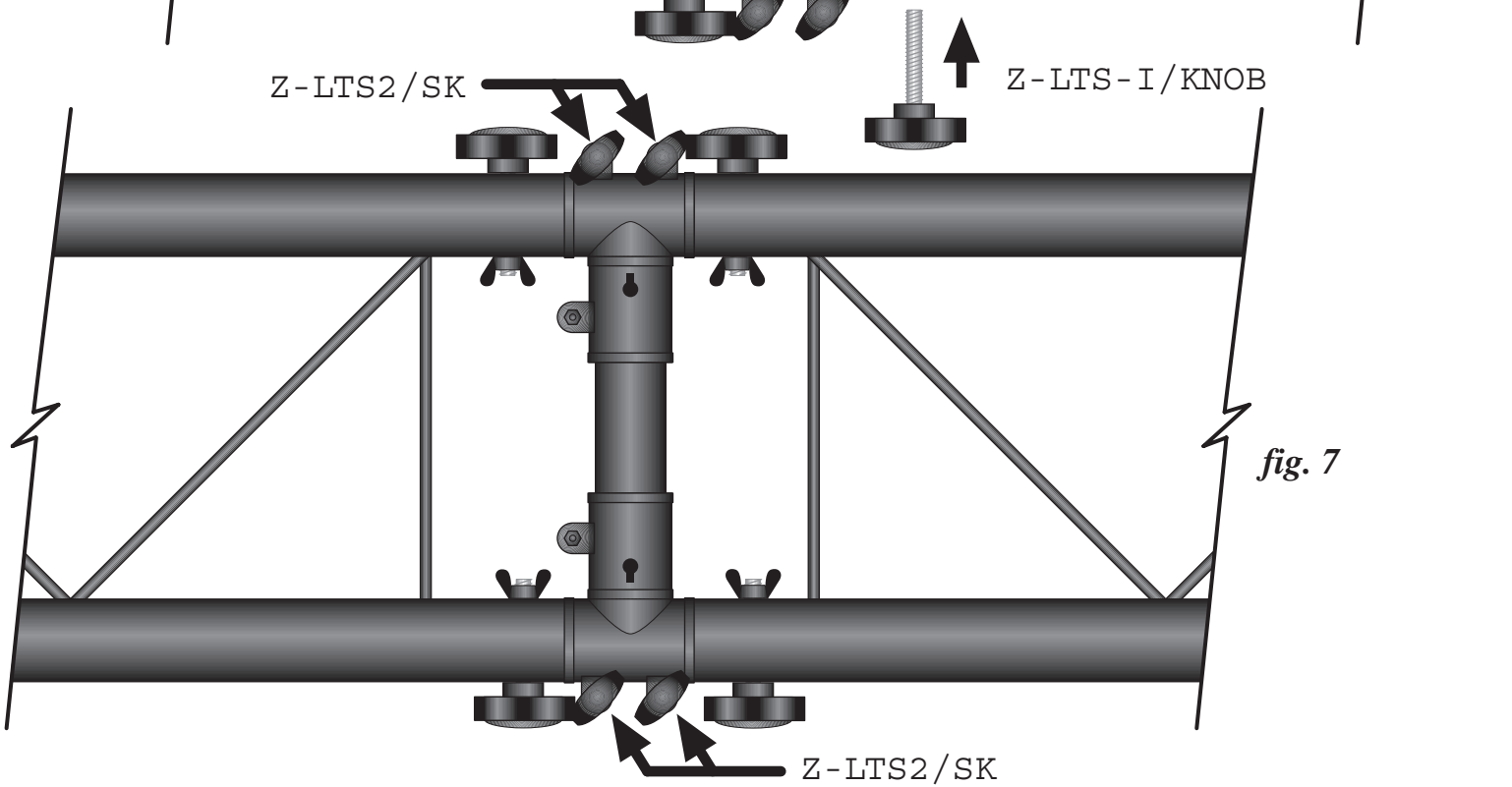
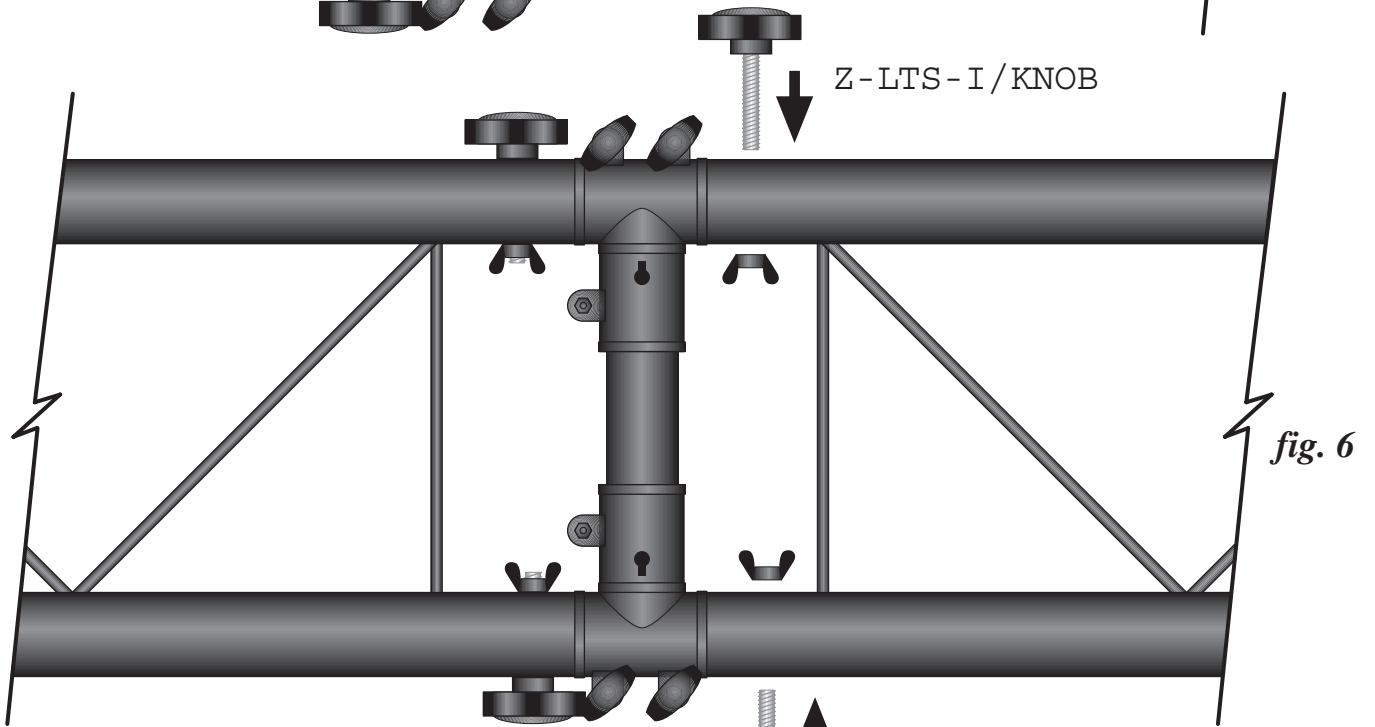
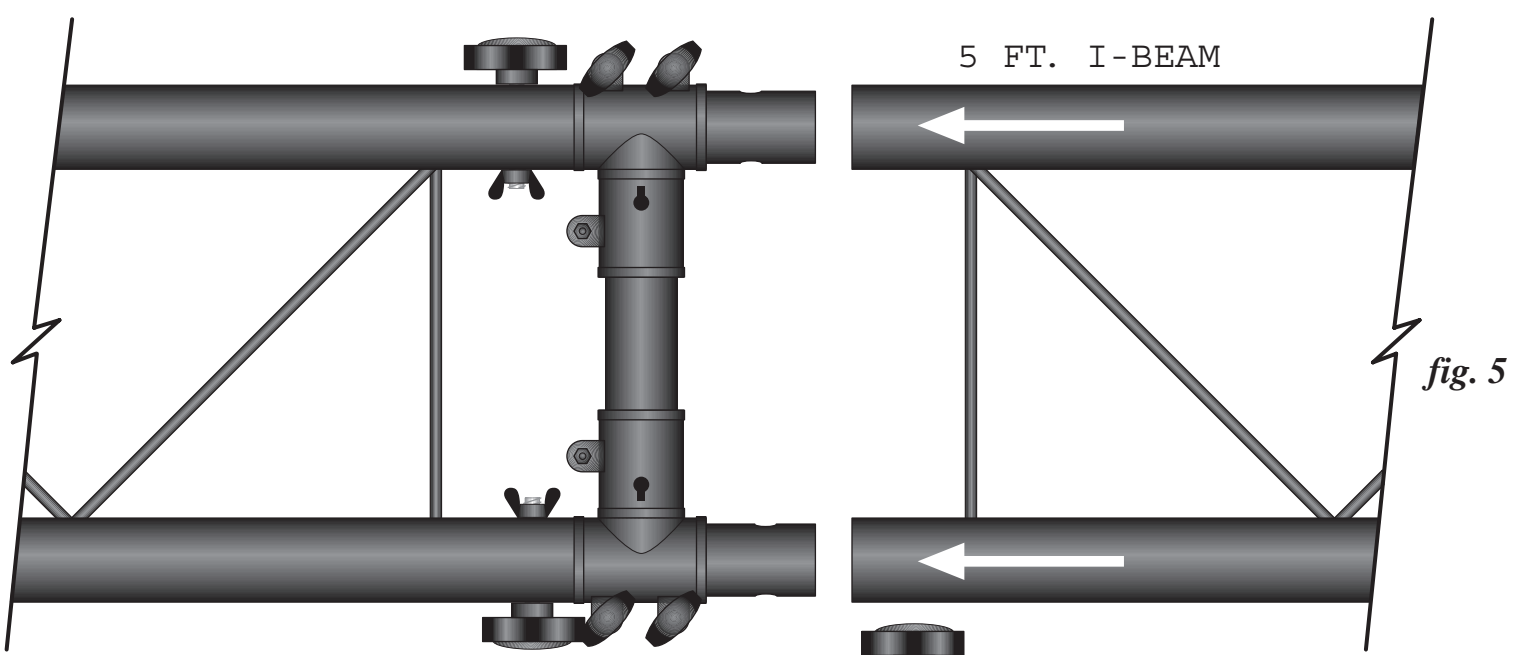
*fig. 2*

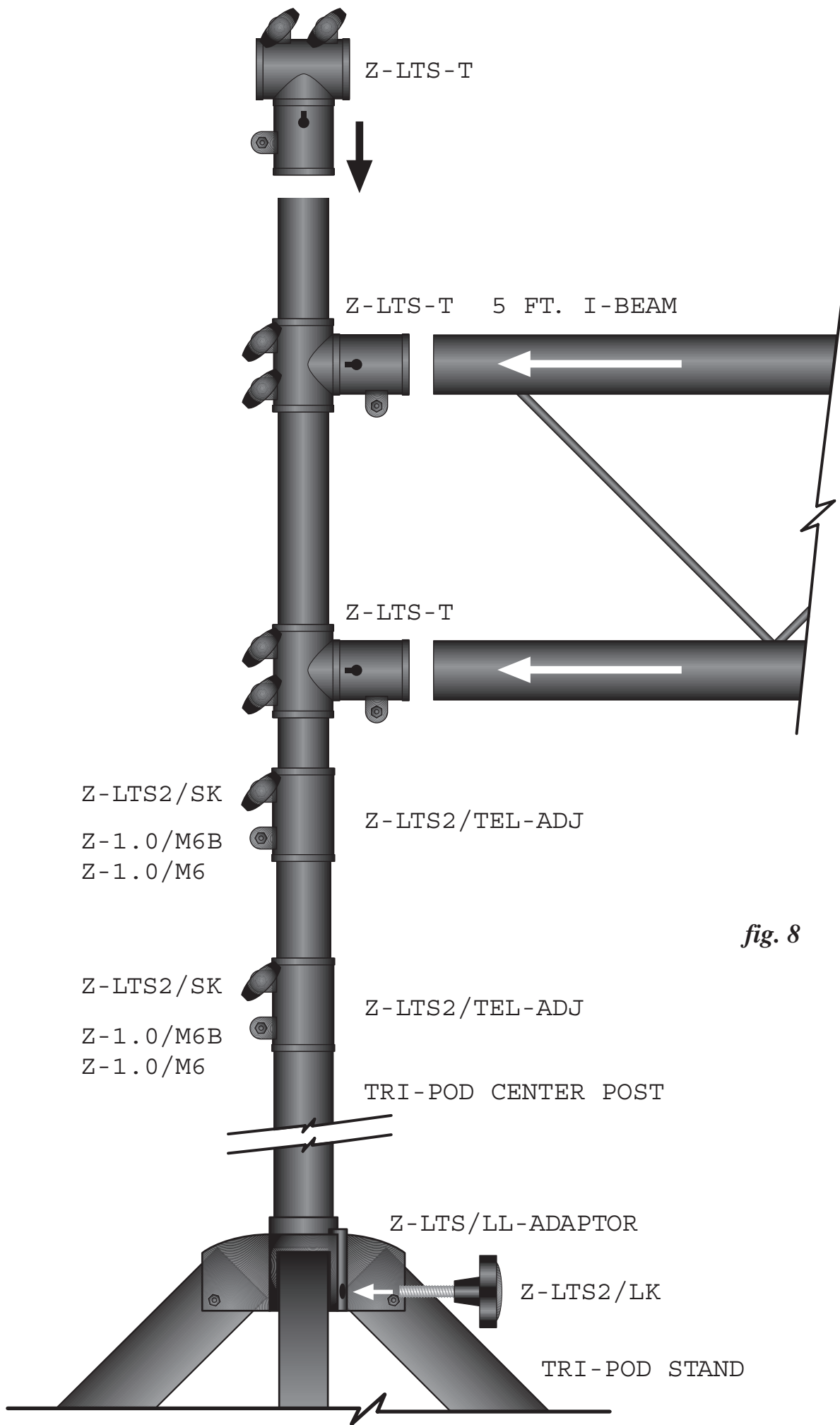


*fig. 3*

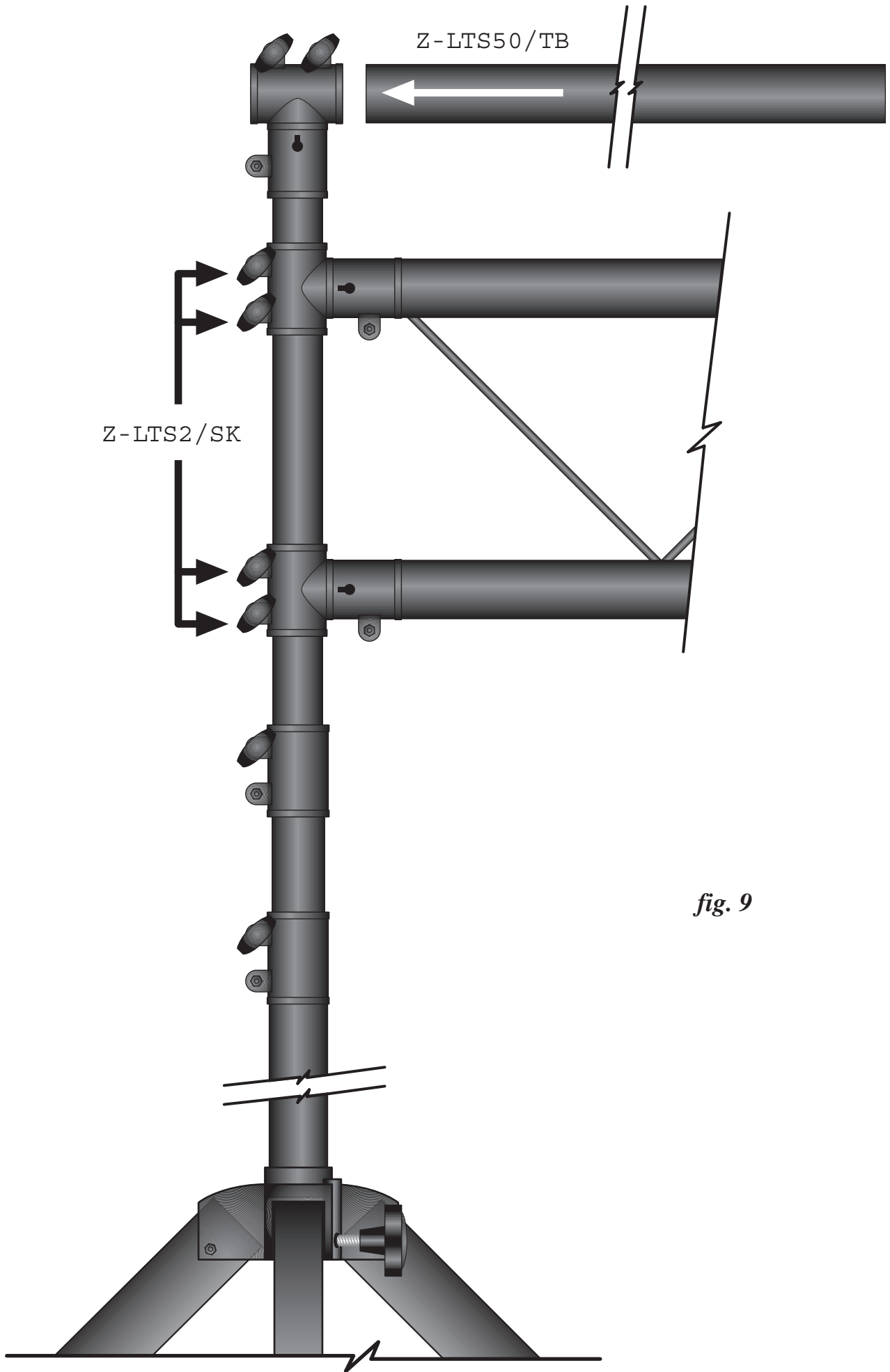


*fig. 4*

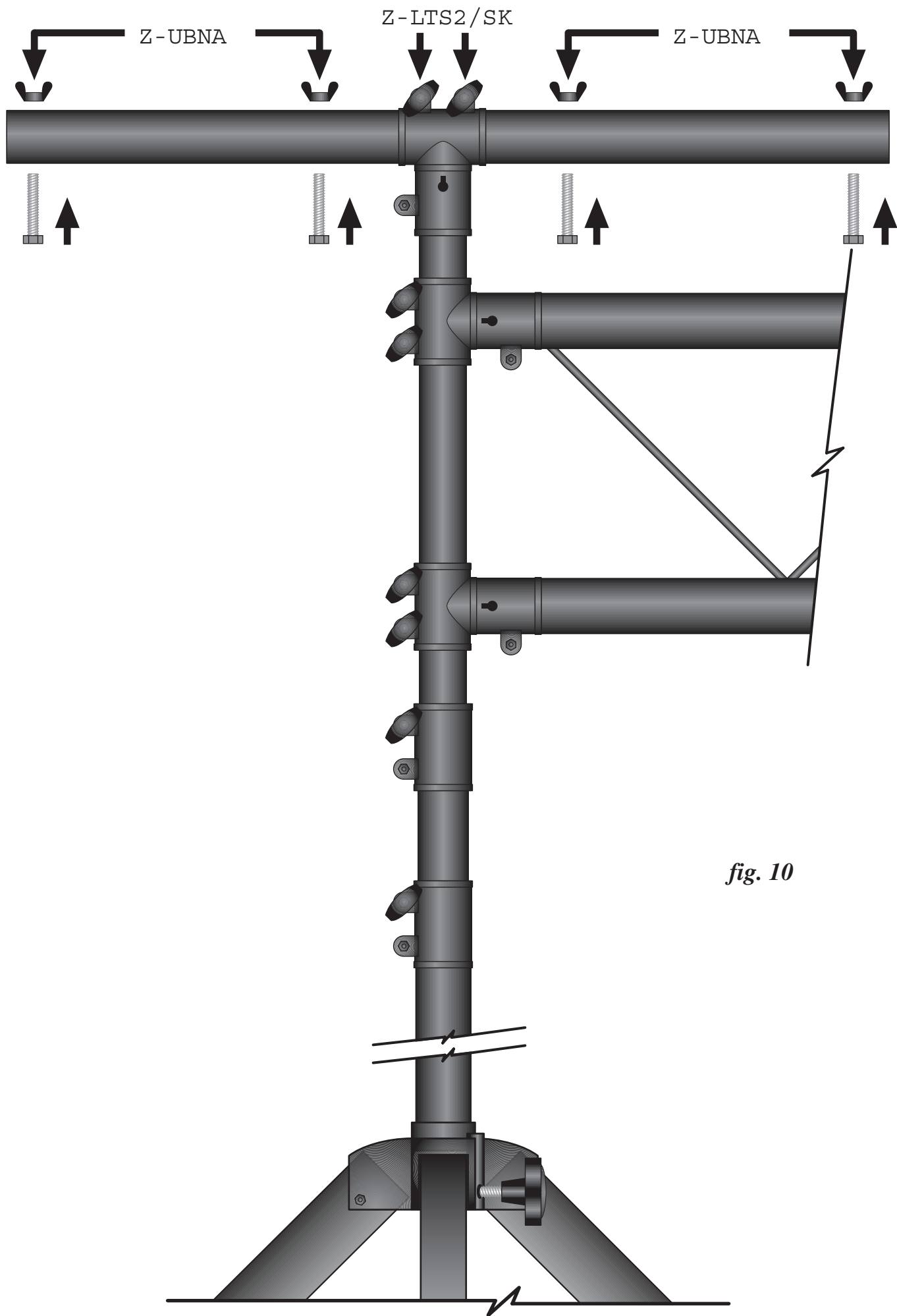




*fig. 8*



*fig. 9*



*fig. 10*