



Local Source Amplifier

Because a flat panel is only half of the picture.

If you're only selling flat screen televisions without local source amplification, you're missing out on the big picture. Although the flat screen has brought incredible improvements to picture, the sound quality has always been an issue, leaving a terrific area of opportunity to increase your profit margin.

Now you can **dramatically improve profitability** while increasing customer satisfaction with a 40-watt stereo **local source amplifier by NuVo**. The result sounds as amazing as it looks.

Attractive

Designed to fit into a standard single gang box, the NV-LSA40 hides discreetly behind flat screen televisions.

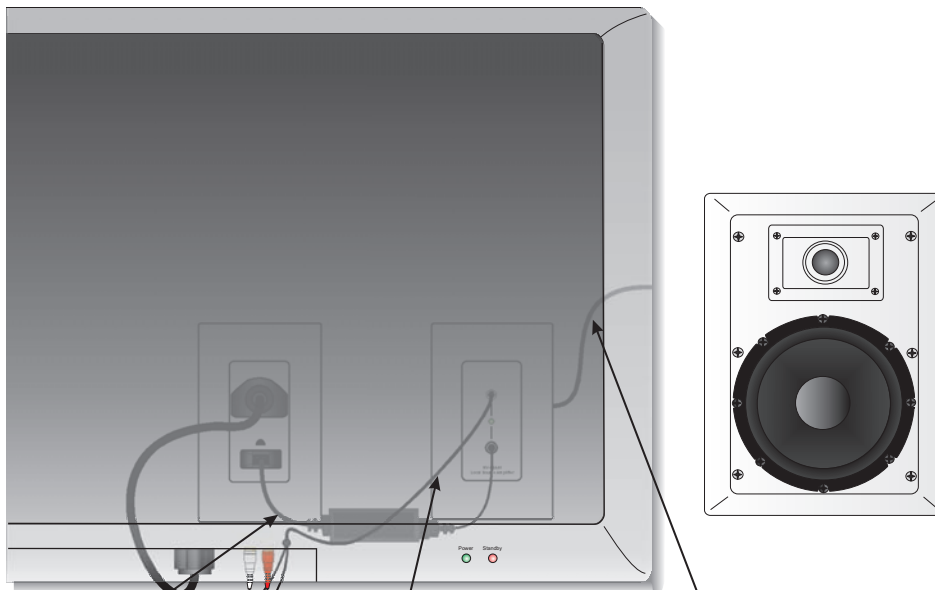
Integrated

The NV-LSA40 is available in two versions: the NV-LSA40S, designed for individual zone use with a local power supply, and the NV-LSA40PDS, designed for multiple amplifier use with a central power distribution hub.

Versatile

MP3 players, PCs, and PS3s—just about any technology that would benefit from enhanced audio—can benefit from the local source amplification of the NV-LSA40.

LSA4oS Local Source Amplifier for independent use with a line-level audio source

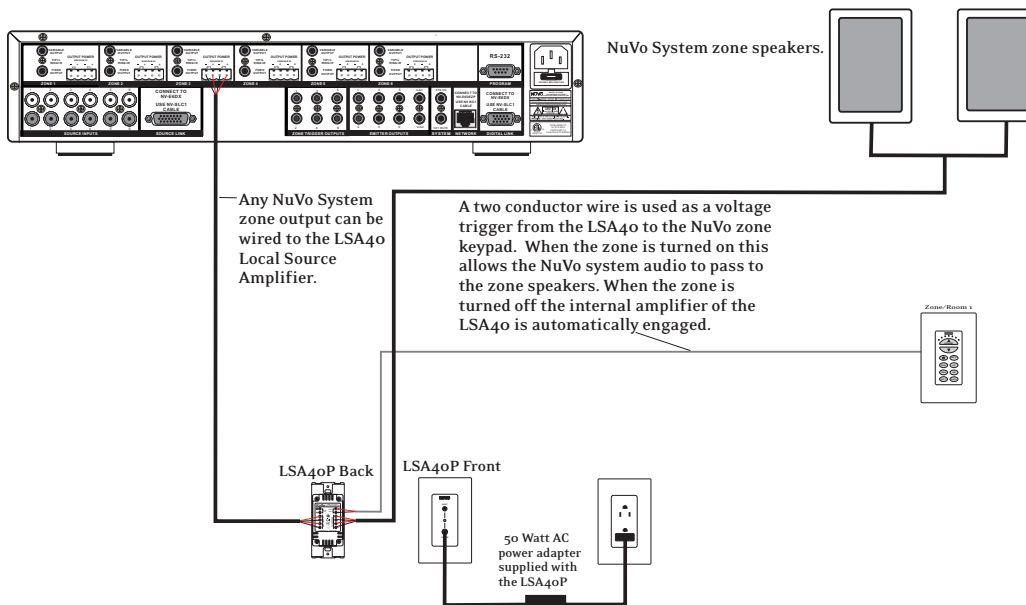


The LSA4oS amplifier receives power from the included power supply.

The LSA4oS is an audio sensing amplifier that automatically responds to the incoming signal from the local audio source.

A 20 watt per channel amplifier supplies audio to any 6 or 8 ohm speaker.

LSA4oS Local Source Amplifier for use with the NuVo Audio Distribution Systems



*Shown with NuVo Essentia