

# OC100T product information sheet



The OC100T is a low-cost, low-profile mounting solution for medium, thin profile TVs.

## Product Benefits

- Low profile offers sufficient room for cable connections and cooling while keeping TV close to the wall
- Tilt TV forward to reduce glare or for overhead installations
- Pinned tilt offers uniformity for TVs mounted side-by-side
- Ideal for TVs with bottom- or side-loading connectors
- Horizontal wall plate requires only two holes for quick installation
- Wall plate has integrated level
- Small footprint provides ample room for power and A/V cutouts behind TV
- Vertical rails fit VESA and non-VESA TVs
- Vertical rails slide on wall plate for minor left/right repositioning
- Locking bar secures TV to mount
- Includes complete hardware kit

## Product Specifications

**Fits most:** 23–42" TVs

**Supports up to:** 100 lbs (45.4 kg)

**Tilt:** 0°, +5° or +10°

**Mounting profile:** 1.7" (4.5 cm)

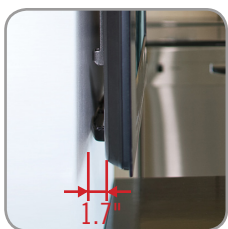
**Universal & VESA compliant:**

100x100 to 400x300

**Mounting:** Double-stud or solid wall

**Warranty:** 5 years

**Color:** Black



A 1.7" (4.5 cm) profile allows for easy connectivity and sufficient cooling; ideal for TVs with bottom- or side-loading connectors.

**800.MOUNT.IT (800.668.6848)**

## Series



OC150T



OC150F



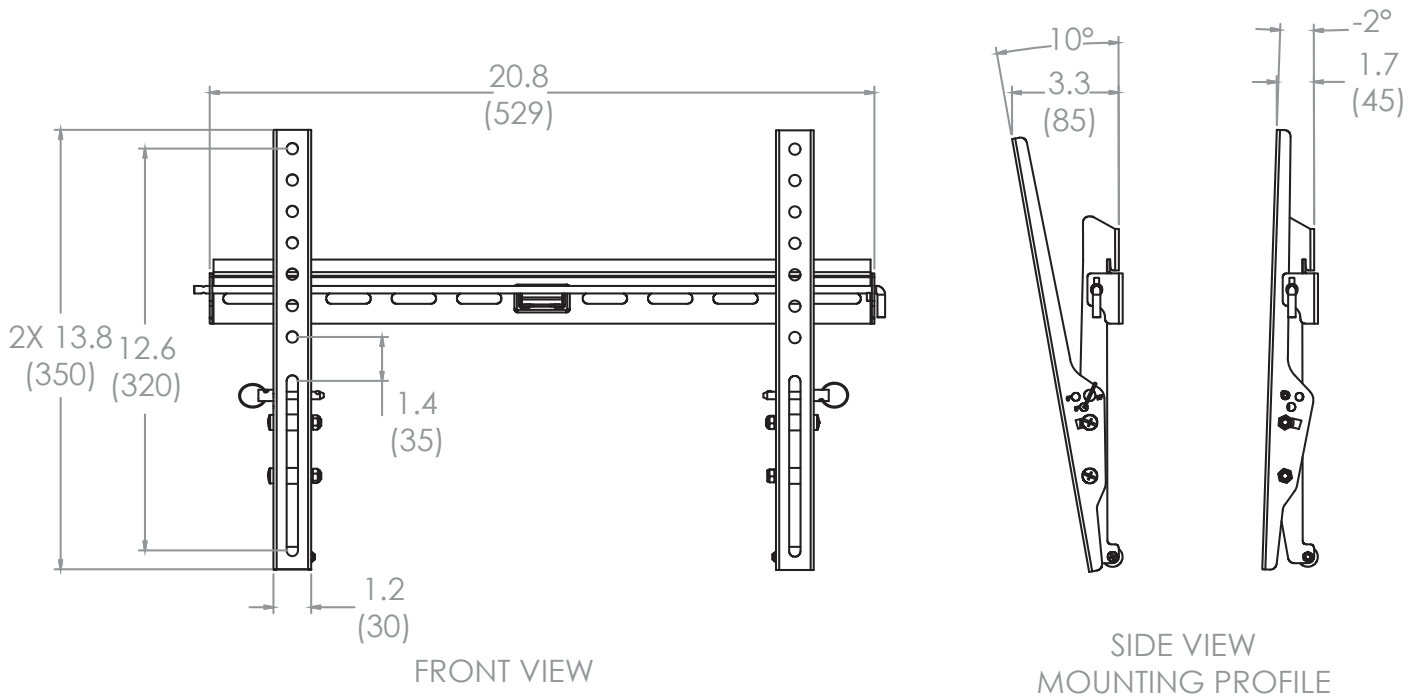
OC100T



OC100F



# OC100T technical data sheet



inches (mm)

	Packaging UPC	MC UPC
Americas	698833037760	10698833037767
International	NA	NA

	Dimensions WxDxH inches (mm)	Wt lbs (kg)	Qty
Box	22.3 x 3.8 x 2.3 (567x97x59)	4.9 (2.2)	NA
MC	25 x 8.7 x 6.2 (636x220x158)	19.6 (8.9)	4

Box Contents	Qty
Wall plate	1
Vertical rail	2
Locking bar	1
Bubble level	1

Box Contents	Qty
Tilt pin	2
Complete hardware kit	1
Instruction manual	1