

OC150T product information sheet



The OC150T is a low-cost, low-profile mounting solution for large, thin profile TVs.

Product Benefits

- Low profile offers sufficient room for cable connections and cooling while keeping TV close to the wall
- Tilt TV forward to reduce glare or for overhead installations
- Pinned tilt offers uniformity for TVs mounted side-by-side
- Ideal for TVs with bottom- or side-loading connectors
- Lift n' Lock™ feature offers easy, three step installation
- Horizontal wall plate requires only two holes for quick installation
- Wall plate has integrated level
- Small footprint provides ample room for power and A/V cutouts behind TV
- Vertical rails fit VESA and non-VESA TVs
- Vertical rails slide on wall plate for minor left/right positioning
- Locking bar secures TV to mount
- Includes complete hardware kit



A 1.7" (4.5 cm) profile allows for easy connectivity and sufficient cooling; ideal for TVs with bottom- or side-loading connectors.

Product Specifications

Fits most: 37–80" TVs

Supports up to: 150 lbs (68 kg)

Tilt: 0°, +5° or +10°

Mounting profile: 1.7" (4.5 cm)

Universal & VESA compliant:

200x200 to 600x400

Mounting: Double-stud or solid wall

Warranty: 5 years

Color: Black



Series



OC150T



OC150F



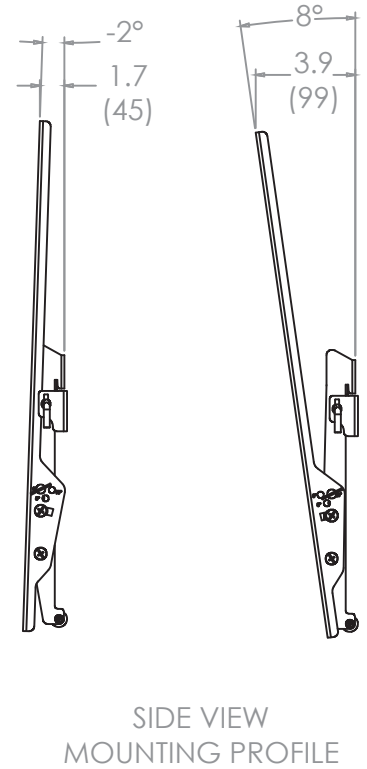
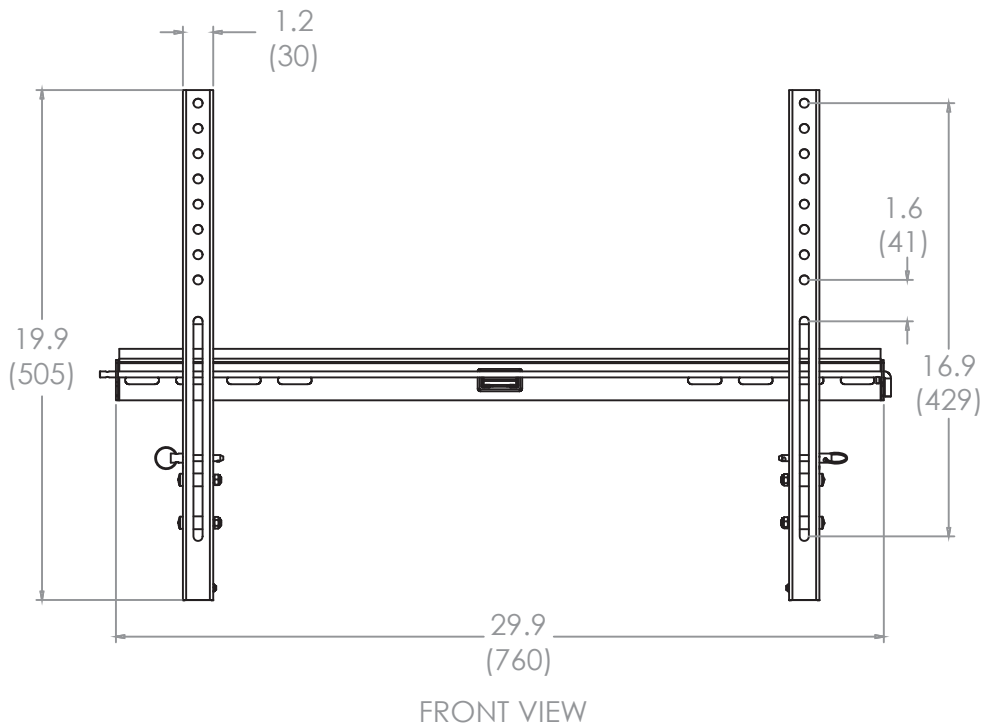
OC100T



OC100F



OC150T technical data sheet



inches (mm)

	Packaging UPC	MC UPC
Americas	698833037777	10698833037774
International	NA	NA

	Dimensions WxDxH inches (mm)	Wt lbs (kg)	Qty
Box	31.4 x 3.8 x 2.3 (797x97x59)	6.0 (2.7)	NA
MC	34.3 x 8.7 x 6.1 (870x222x154)	24.0 (10.9)	4

Box Contents	Qty
Wall plate	1
Vertical rail	2
Locking bar	1
Bubble level	1

Box Contents	Qty
Tilt pin	2
Complete hardware kit	1
Instruction manual	1