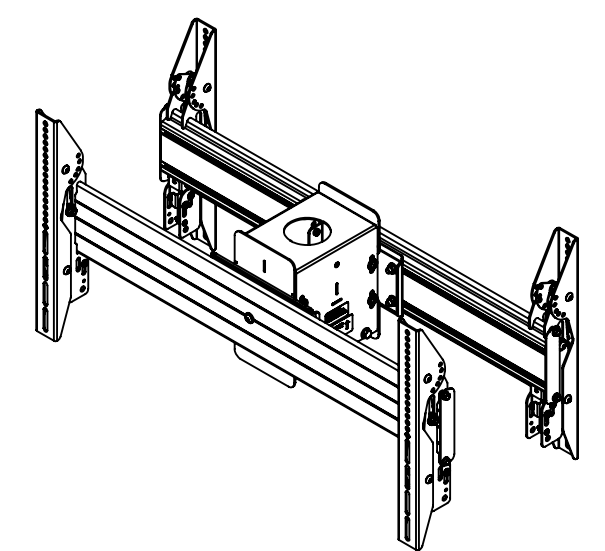
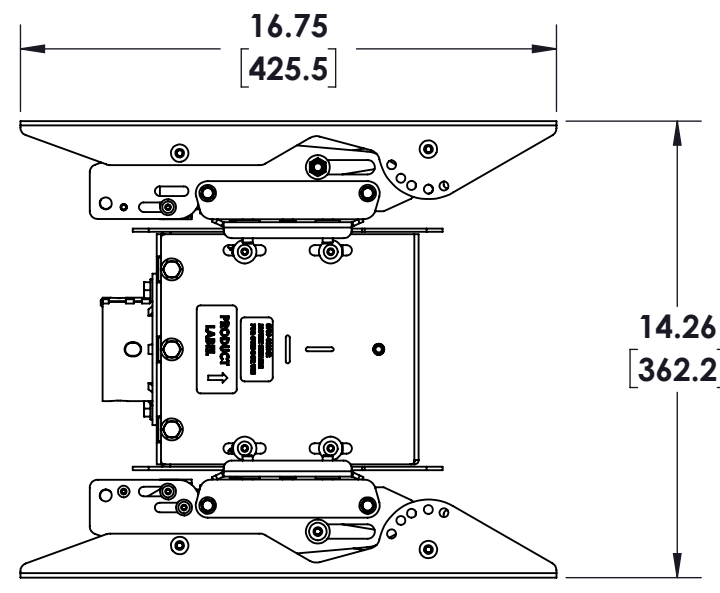
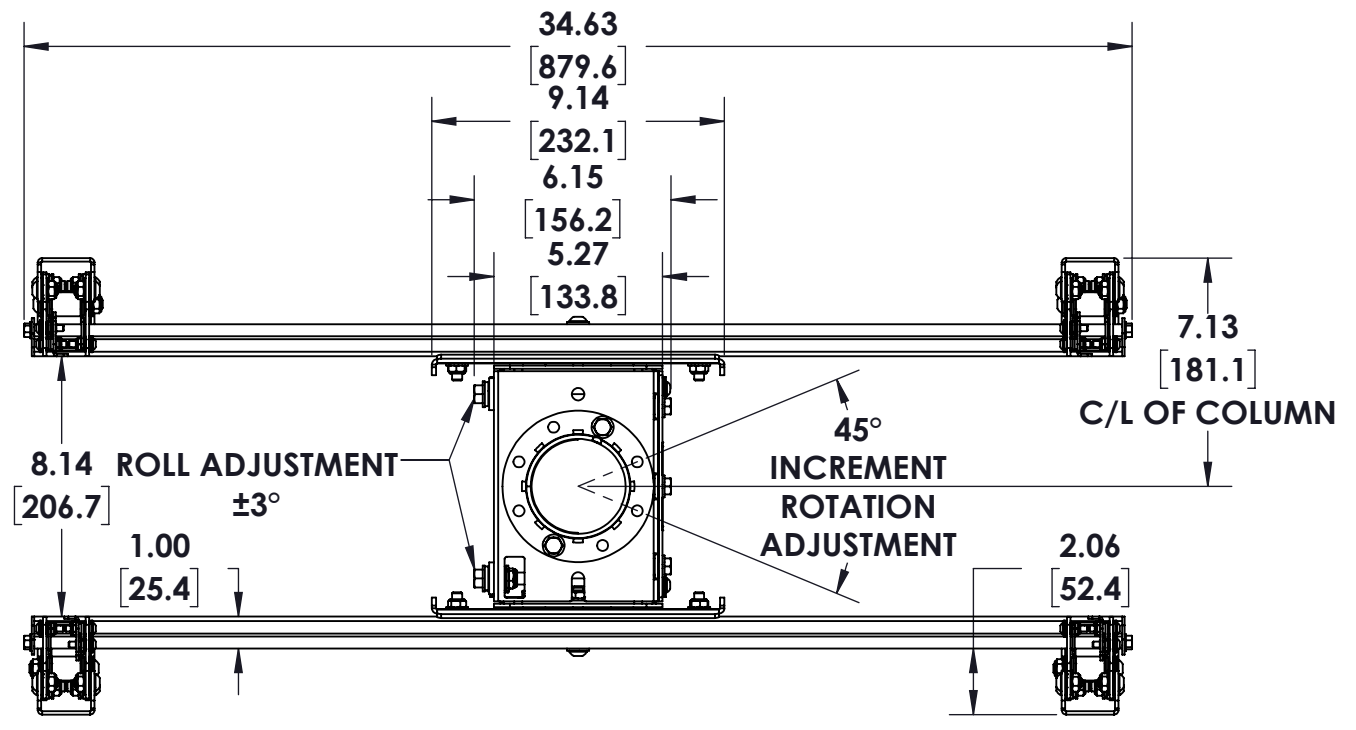
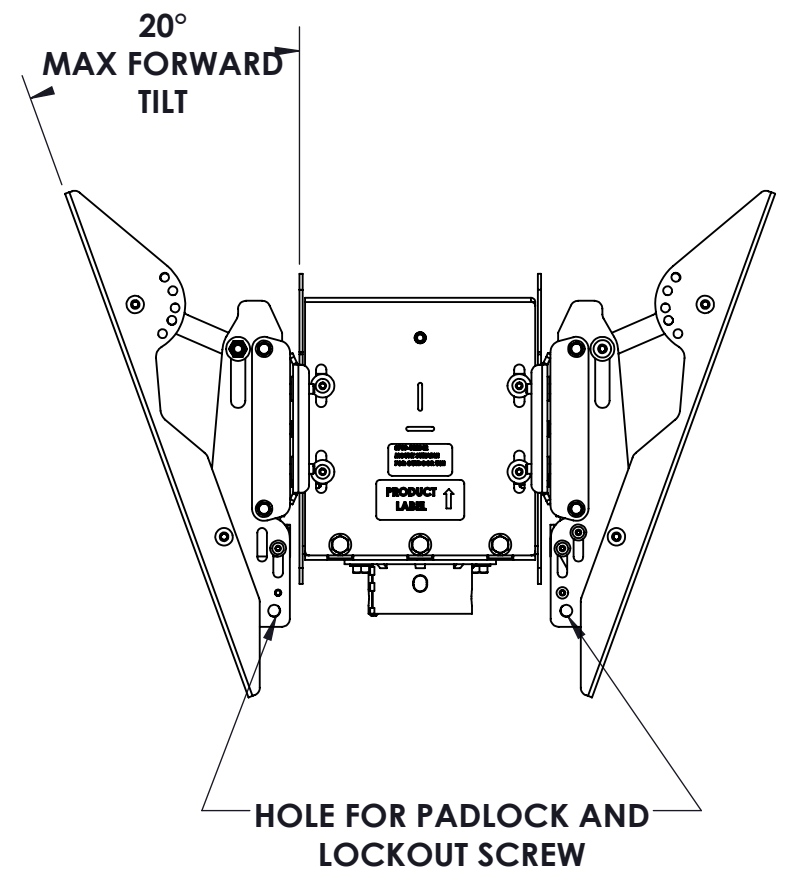
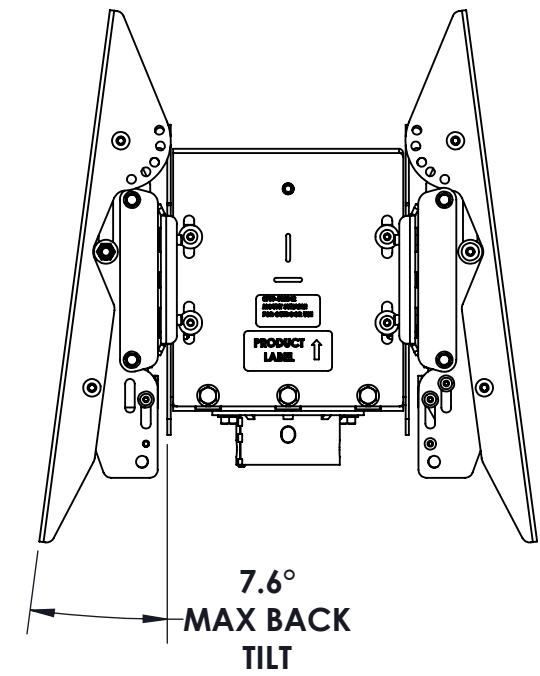
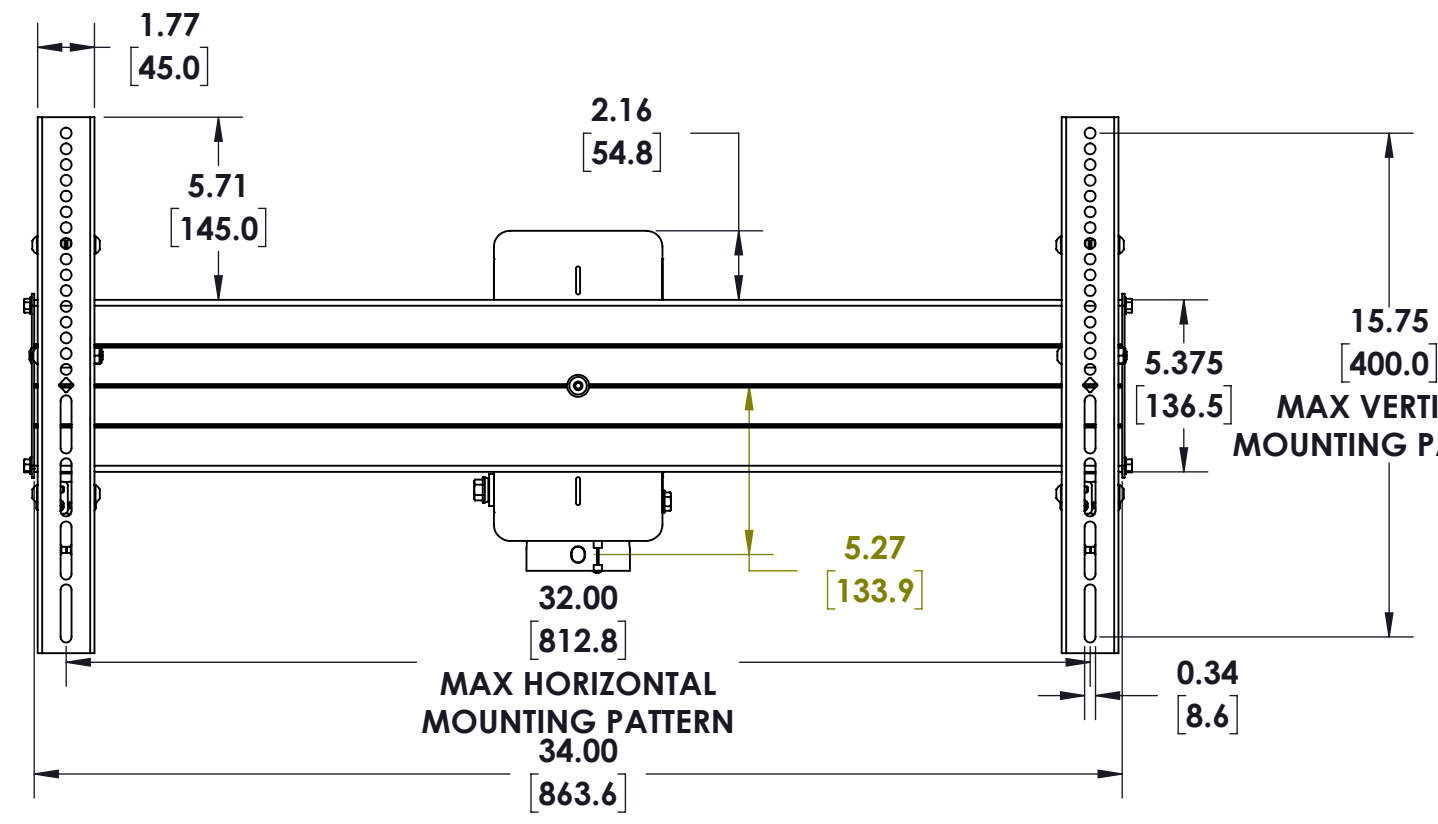


TILT LOCKOUTS AT:

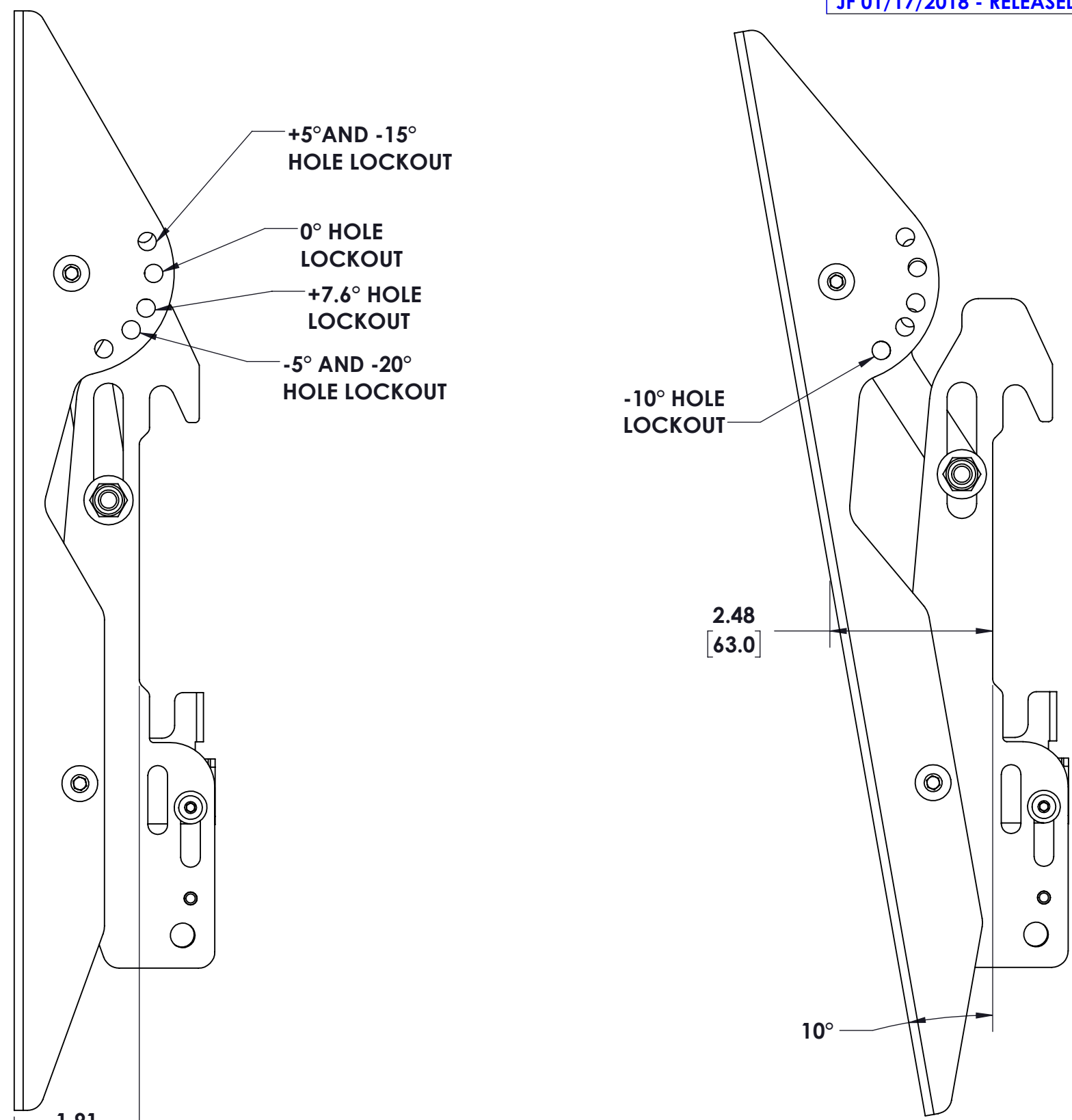
- +7.6°
- +5°
- 0°
- 5°
- 10°
- 15°
- 20°




APPROXIMATE WEIGHT:
 38 LBS

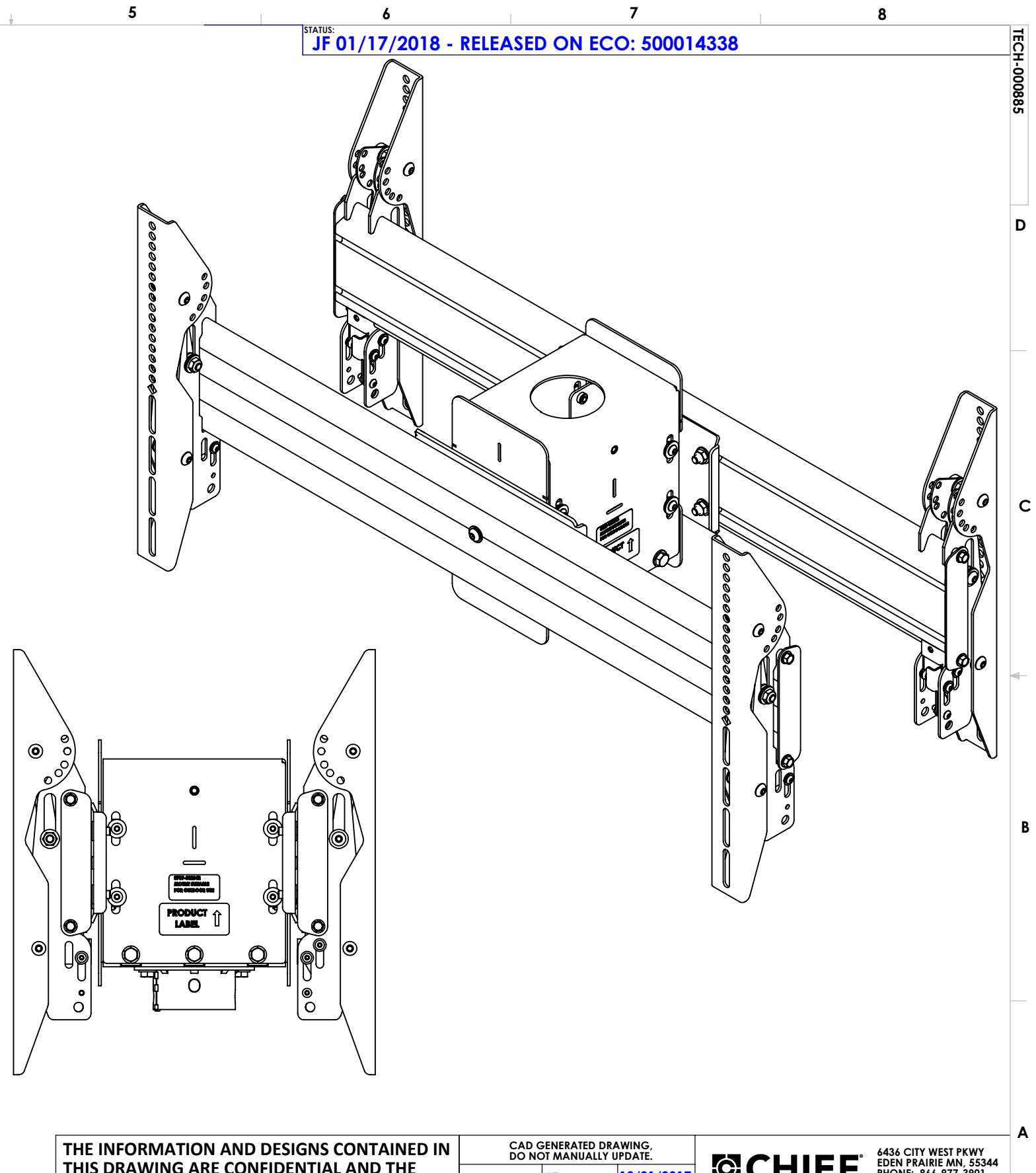
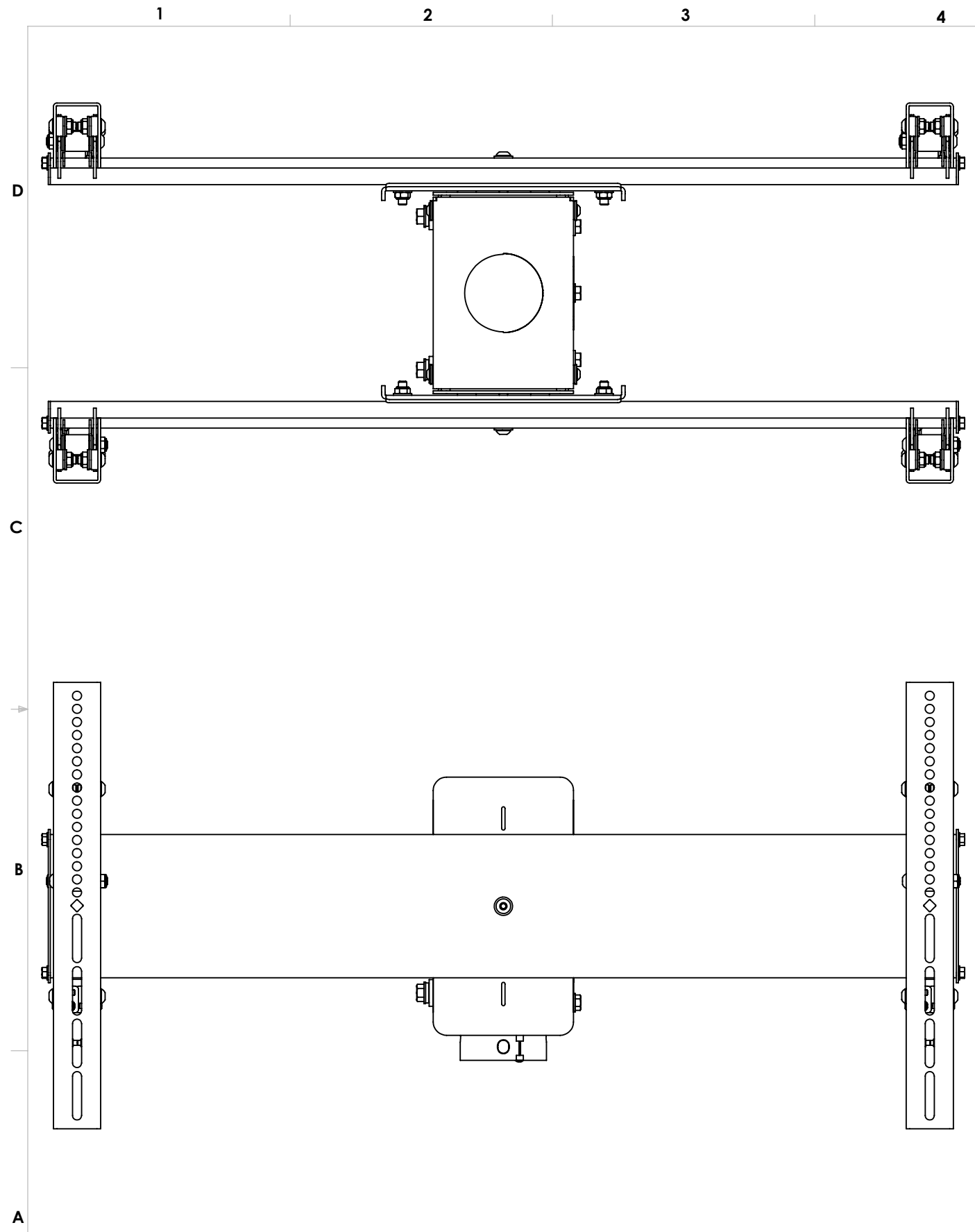
THE INFORMATION AND DESIGNS CONTAINED IN THIS DRAWING ARE CONFIDENTIAL AND THE PROPRIETARY PROPERTY OF MILESTONE AV TECHNOLOGIES NEITHER THIS DESIGN NOR ANY INFORMATION CONTAINED IN THIS DRAWING MAY BE REPRODUCED OR DISCLOSED TO OTHERS WITHOUT THE EXPRESS WRITTEN CONSENT OF MILESTONE AV TECHNOLOGIES.

CAD GENERATED DRAWING, DO NOT MANUALLY UPDATE.			
DRAWN BY	JF	12/21/2017	<p>6436 CITY WEST PKWY EDEN PRAIRIE MN, 55344 PHONE: 866-977-3901 FAX: 877-894-6918</p>
ENG APPROVAL			
MFG APPROVAL			
QA APPROVAL			
SHEET 1 OF 3			DESCRIPTION ODM LFP CEILING B2B MNT
SCALE	1:6	SIZE	MODEL NO. OLCB1U
		DWG. NO.	REV. TECH-000885
			00




THE INFORMATION AND DESIGNS CONTAINED IN THIS DRAWING ARE CONFIDENTIAL AND THE PROPRIETARY PROPERTY OF MILESTONE AV TECHNOLOGIES NEITHER THIS DESIGN NOR ANY INFORMATION CONTAINED IN THIS DRAWING MAY BE REPRODUCED OR DISCLOSED TO OTHERS WITHOUT THE EXPRESS WRITTEN CONSENT OF MILESTONE AV TECHNOLOGIES.

CAD GENERATED DRAWING, DO NOT MANUALLY UPDATE.				 6436 CITY WEST PKWY EDEN PRAIRIE MN, 55344 PHONE: 866-977-3901 FAX: 877-894-6918	
DRAWN BY	JF	12/21/2017	DESCRIPTION		
ENG APPROVAL			ODM LFP CEILING B2B MNT		
MFG APPROVAL			MODEL NO.		
QA APPROVAL			OLCB1U		
SHEET 2 OF 3		SCALE	SIZE	DWG. NO.	REV.
		1:2	B	TECH-000885	00



THE INFORMATION AND DESIGNS CONTAINED IN THIS DRAWING ARE CONFIDENTIAL AND THE PROPRIETARY PROPERTY OF MILESTONE AV TECHNOLOGIES NEITHER THIS DESIGN NOR ANY INFORMATION CONTAINED IN THIS DRAWING MAY BE REPRODUCED OR DISCLOSED TO OTHERS WITHOUT THE EXPRESS WRITTEN CONSENT OF MILESTONE AV TECHNOLOGIES.

CAD GENERATED DRAWING, DO NOT MANUALLY UPDATE.			
DRAWN BY	JF	12/21/2017	 6436 CITY WEST PKWY EDEN PRAIRIE MN, 55344 PHONE: 866-977-3901 FAX: 877-894-6918
ENG APPROVAL			
MFG APPROVAL			
QA APPROVAL			
SHEET 3 OF 3		SCALE 1:5	DESCRIPTION ODM LFP CEILING B2B MNT
		SIZE B	MODEL NO. OLCB1U
		DWG. NO. TECH-000885	REV. 00