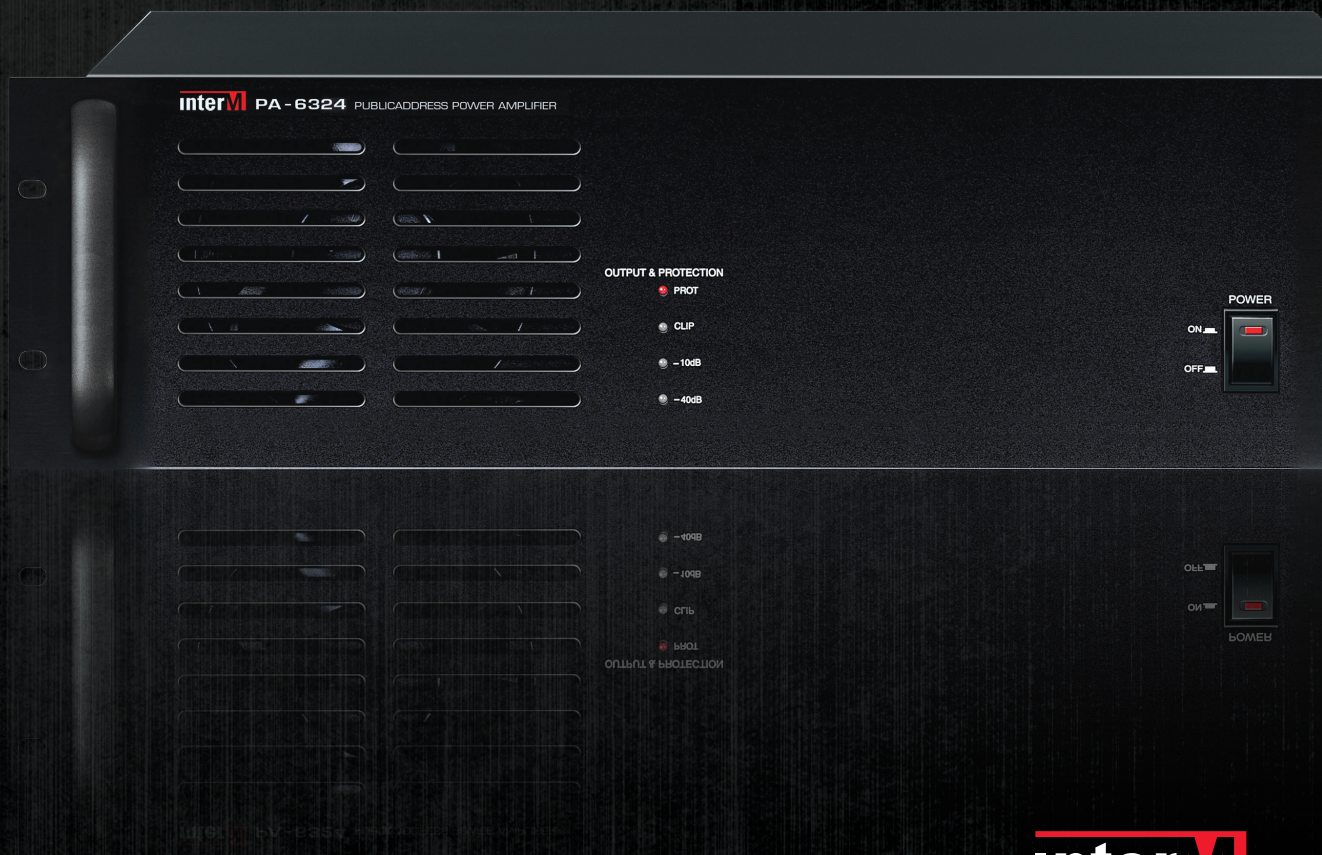


Public Address Power Amplifier

PA-6312/6324/ 6336/6348





PA-6312/6324/6336/6348 Public Address Power Amplifier

PA-6312/6324/6336/6348 are Inter-M's best-selling commercial PA amplifiers. They are recognized for their ruggedness, reliability and performance. They are the installer's choice for sound reinforcement, background music, paging, and public address systems. Featuring low-distortion, low-noise amplifier electronics circuits which provides a high-output and a high S / N ratio. PA 6300 series amps provide a wide dynamic range with excellent headroom. An onboard High Pass Filter protects both amplifier and speakers from damaging transients. A comprehensive thermal/electrical protection circuit ensures long-haul dependability. Thermistor protected output helps ensure overall stability and provides input overload protection. Internal airflow and exceptionally quiet multi-stage fans ensures amplifier cooling. Phoenix-style terminals provides for quick, easy hookup. Models are available in a variety of output power, 120, 240, 360 and 480 watts power output in 8/4 ohm low impedance and in 70/100V high impedances output using low-distortion transformers. The PA 6300 series offers outstanding versatility, long term reliability, and a remarkable value for any installation application.

/ High power - low noise circuit /

Low-noise, high-output circuit offers better than 95dB signal-to-noise ratio.
120W RMS (PA-6312), 240W RMS (PA-6324), 360W RMS (PA-6336), 480W RMS (PA-6348)
output power THD (Total Harmonic Distortion) is less than 1%

/ 400Hz HPF (High Pass Filter) /

400Hz, High Pass Filter removes low frequency noise, improves speech intelligibility and protects both amplifier and speakers from damaging transients.

/ -12dB gain adjustment /

Rear mounted trim pot offers -12dB volume adjustment the nominal output.
(Variable output voltage of up to 75%)

/ Output level indicators /

Front panel LED indicates visual changes in output level.

/ Rack Mountable /

Can be rack mounted utilizes 3U of rack mount space or used in a Table Top configuration.

/ High reliability /

Build from high-reliability components ensures ruggedness and long term failure free use.

Front / Rear Panel



1. FAN

Airflow intake multi-stage quiet fans ensures amplifier cooling.

2. PROT (protection circuit indicators)

LED indicator displays if the amplifier protection mode.

3. POWER LED

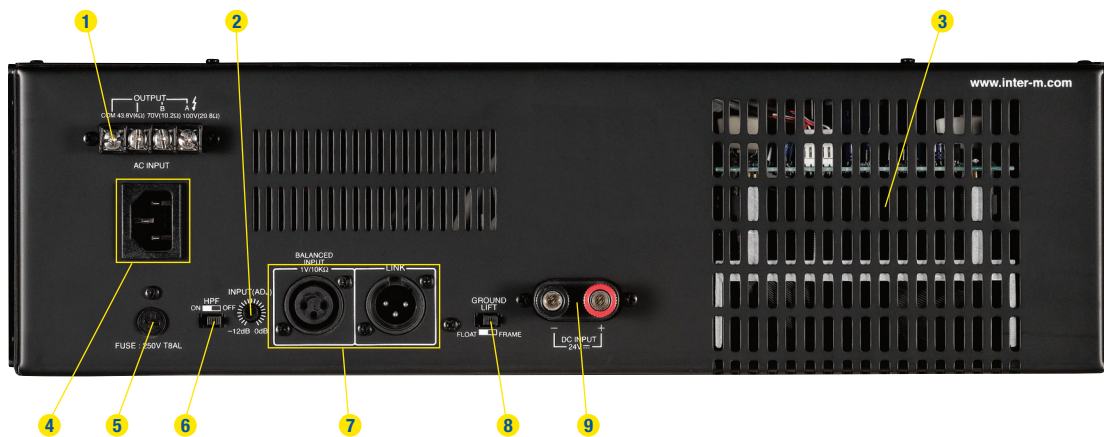
LED indicates power ON / OFF status five times as this unit is lit if the power switch ON and work instructions.

4. OUTPUT LEVEL INDICATOR

LED indicates output power level.

5. POWER SWITCH

An LED indicator confirms power on status of the amplifier.



1. OUTPUT TERMINAL

Allows selection of low impedance, 70.7 or 100 volt high impedance output.

2. LEVEL ADJUST VOLUME

Rear mounted trim pot offers -12dB volume adjustment the nominal output. (Variable output voltage of up to 75%).

3. VENTILATION

Ventilation out-take.

4. AC POWER INPUT

117VAC/60HZ 220 VAC50HZ

5. FUSE

6. HPF Switch

400Hz, High Pass Filter On/off switch

7. Signal input terminal

Phoenix-style terminals

8. Ground Lift Switch

This switch provides for connection or disconnection of the amplifier's ground to AC "earth" ground, to prevent noise from ground loops. Under most circumstances, this switch should be set to FRAME position.

9. 24V DC back up power

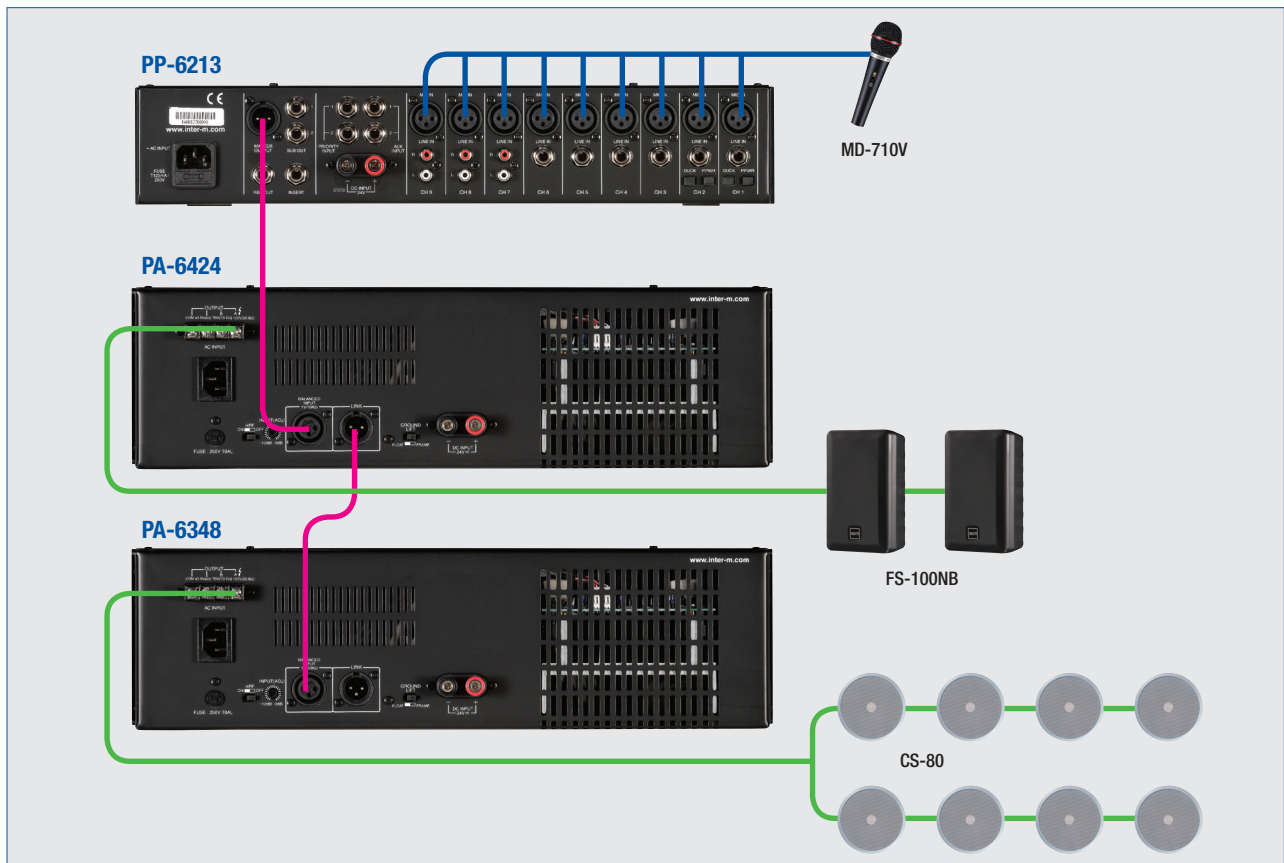
These terminals are provided for the connection of backup battery. Connect a 24VDC(100A) battery source to these terminals. Make certain the red terminal is connected to the battery's positive (+) side, and the black terminal to the battery's negative (-) side.

Specifications

	PA-6312	PA-6324	PA-6336	PA-6348
Rated Output Power (THD 5%, 1kHz)	120W	240W	360W	480W
Frequency Response (+1/-3dB)	70Hz-18kHz			
T.H.D	Less than 1%			Less than 5%
High Pass Filter (400Hz)	-3dB			
Gain Control	-12dB			
S/N	Better than 95dB			
Input Sensitivity / Impedance	1V/10kΩ Balanced			
Output Voltage / Impedance	4Ω / 22V	4Ω / 31V	4Ω / 38V	4Ω / 43.8V
	41Ω / 70V	21Ω / 70V	13.6Ω / 70V	10.2Ω / 70V
	83Ω / 100V	42Ω / 100V	27.8Ω / 100V	20.8Ω / 100V
Operating Temperature	-10°C ~ +40°C			
Power Source	AC 220V, 60Hz, DC 24V			
Power Consumption (1/8 power)	130W	450W	450W	600W
Weight (SET)	14kg / 30.8lb	19kg / 41.9lb	19kg / 41.9lb	22kg / 48lb
Dimensions (SET)	482(W) × 132(H) × 280(D)mm / 19(W) x 5.2(H) x 11(D)in			

* Specifications and design are subject to change without notice.

Connection



Inter-M Corp. (IMK)

653-5 Banghak-Dong, Dobong-Ku, Seoul, Korea
Overseas Sales Team

Tel_ +82-2-2289-8141~7 Fax_ +82-2-2289-8149 E-mail_ overseas@inter-m.com

www.inter-m.com

* Design and specification are subject to be changed without pre notice.