



PRO-PJT



The PRO-PJT is a universal ceiling mount with adjustable legs that fits most small to large projectors. Understanding the importance of compatibility with all projector sizes and brands, OmniMount projector mounts are designed as universal mounting solutions.

PRODUCT SPECIFICATIONS*

Fits most: Small to large projectors

Supports up to: 40 lbs (18,1 kg)

Pitch: +/- 15°

Roll: +/- 15°

Yaw: +/- 180°

Warranty: 5 years

Color: Black



PRODUCT BENEFITS*

- Universal mounting pattern fits projectors with any hole pattern
- Legs adjustable from 5" to 19.8" diagonally for small to large projectors
- Built-in pitch/roll adjustment
- Includes ceiling plate
- Hex pin anti-theft security feature
- NPT extension pipes available in 12", 18" and 24" lengths
- Includes complete Grade 5 hardware kit

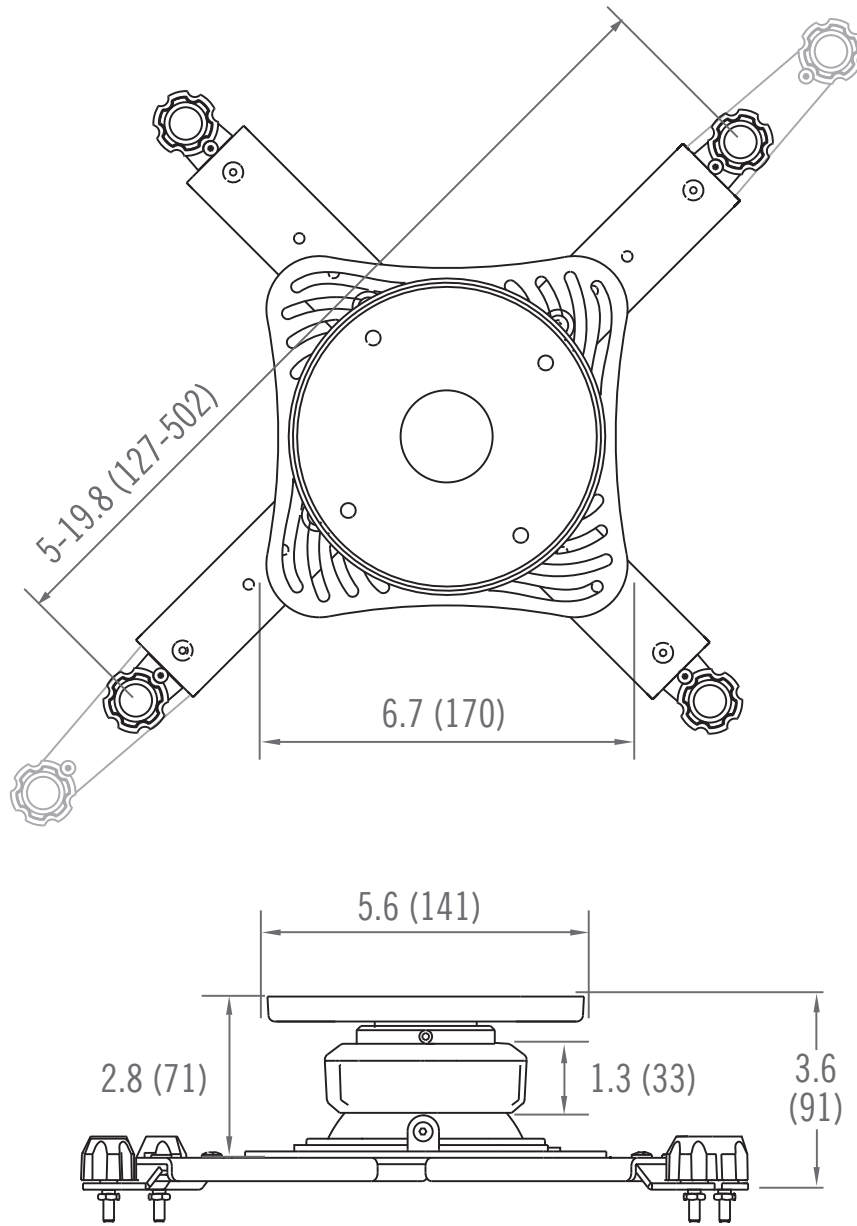
*Subject to change



The PRO-PJT has infinitely adjustable tilt and pitch, which is especially helpful for post installation adjustment.

PRO-PJT

inches (mm)



	UPC	Dimensions WxDxH inches (mm)	Wt lbs (kg)	Qty
Box	728901018084	8.1 x 8.5 x 3.9 (205x215x100)	7.6 (3,5)	--
MC	728901711398	8.7 x 9.1 x 8.7 (220x230x220)	15.7 (7,1)	2

Box Contents	Qty
Projector plate	1
Articulation unit	1
Ceiling plate	1
Projector leg	4

Box Contents	Qty
PFC-A coupler	1
Complete mount installation hardware kit	1
Complete projector attachment hardware kit	1
Instruction manual	1