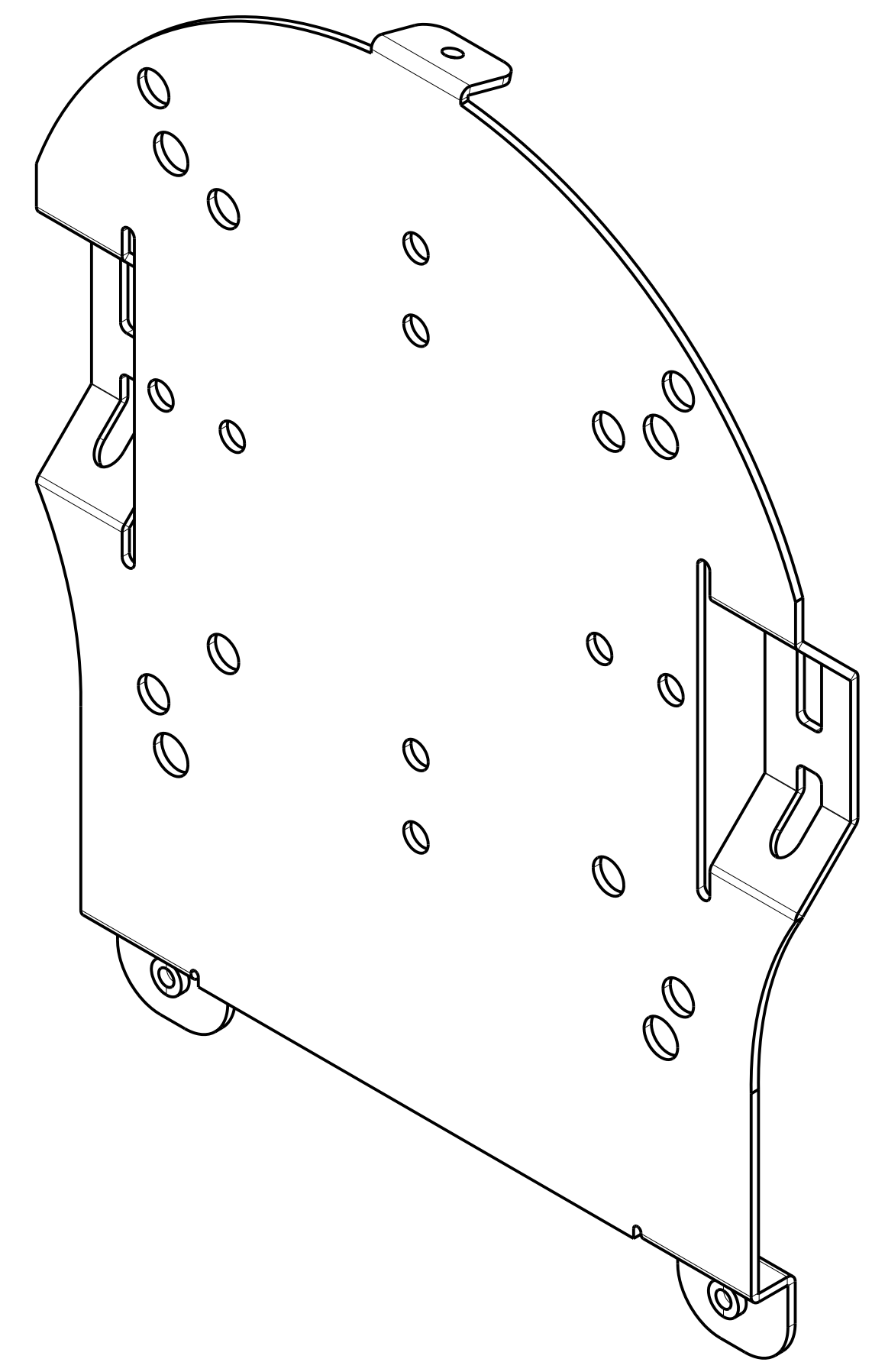
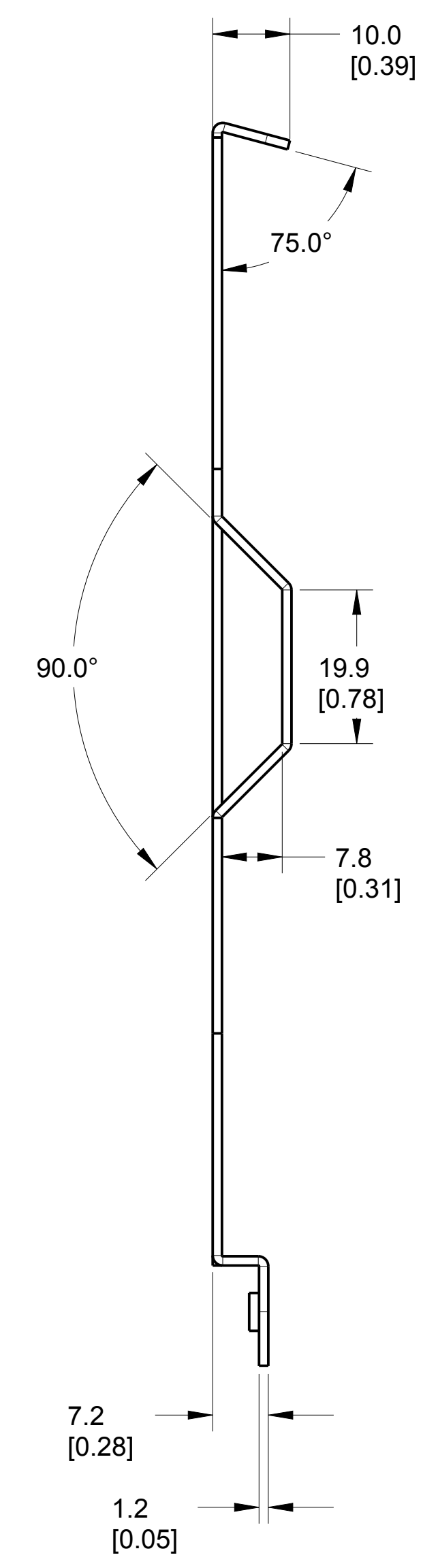
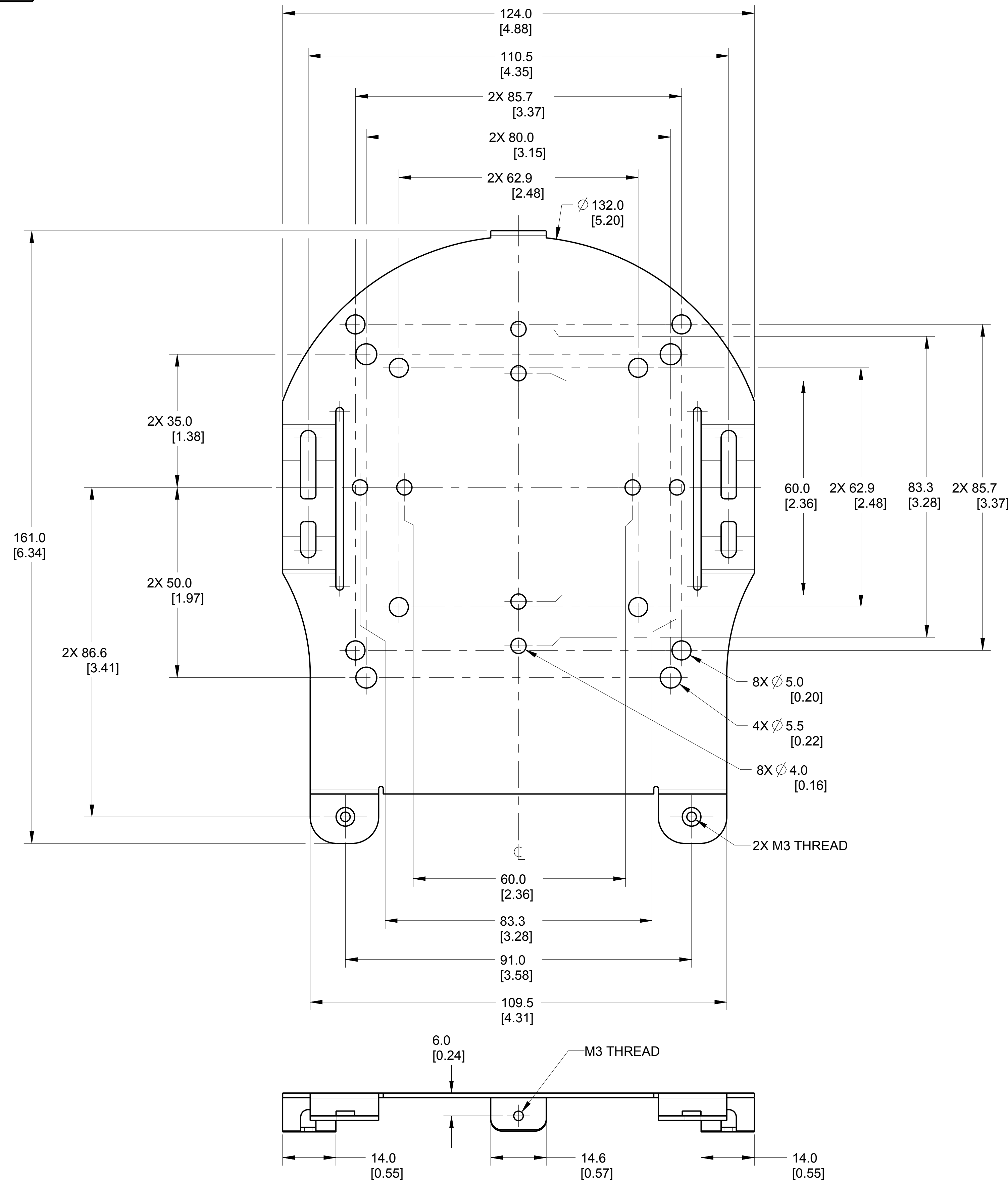


THIS DOCUMENT CONTAINS PROPRIETARY INFORMATION WHICH IS THE PROPERTY OF QSC, LLC. THAT MAY NOT BE DISCLOSED, REPRODUCED OR USED WITHOUT EXPRESS WRITTEN CONSENT FROM QSC, LLC.

REVISIONS			
REV	DESCRIPTION	BY	DATE
A	RELEASE FOR SALES AND MARKETING	ES	06-DEC-16



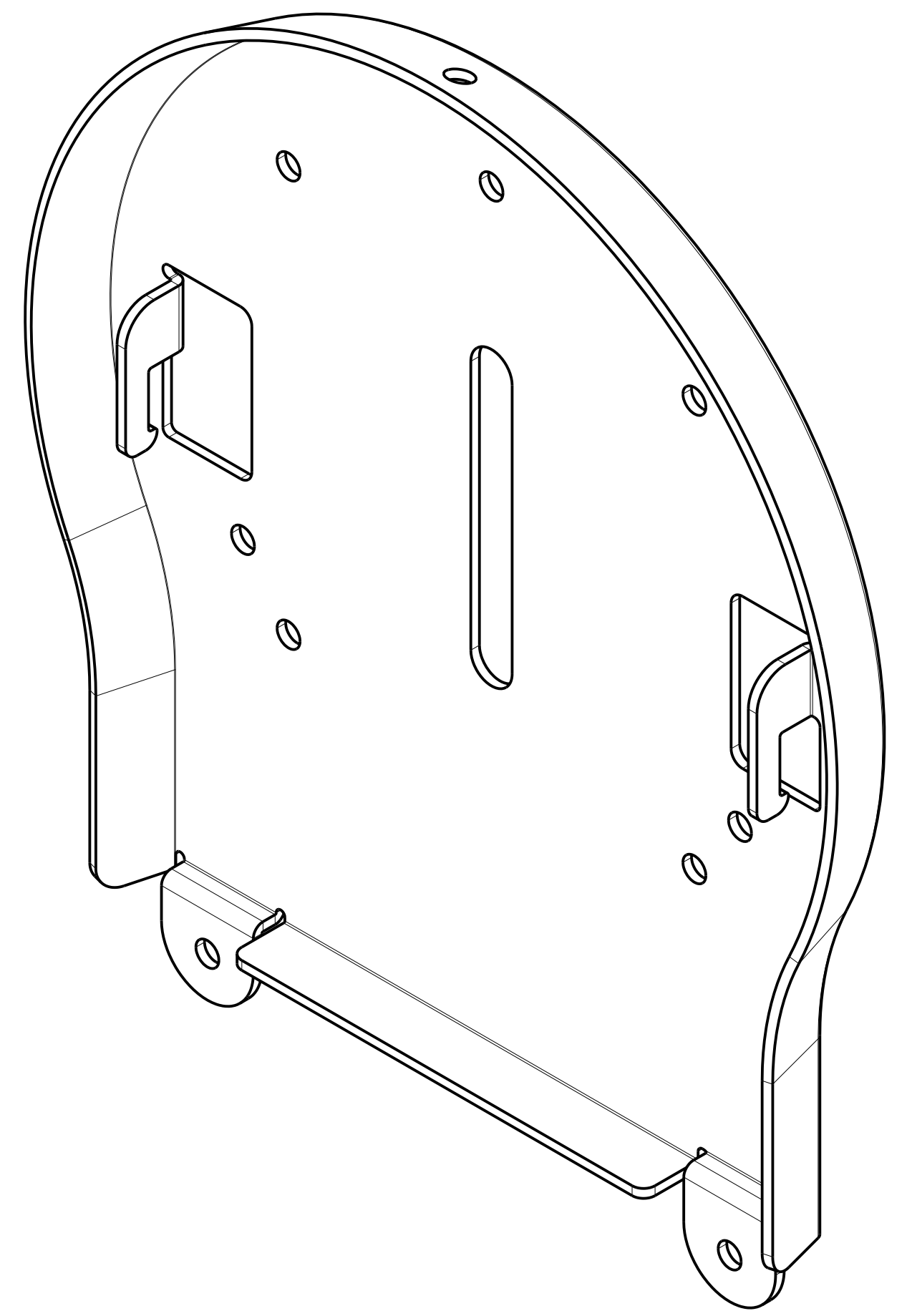
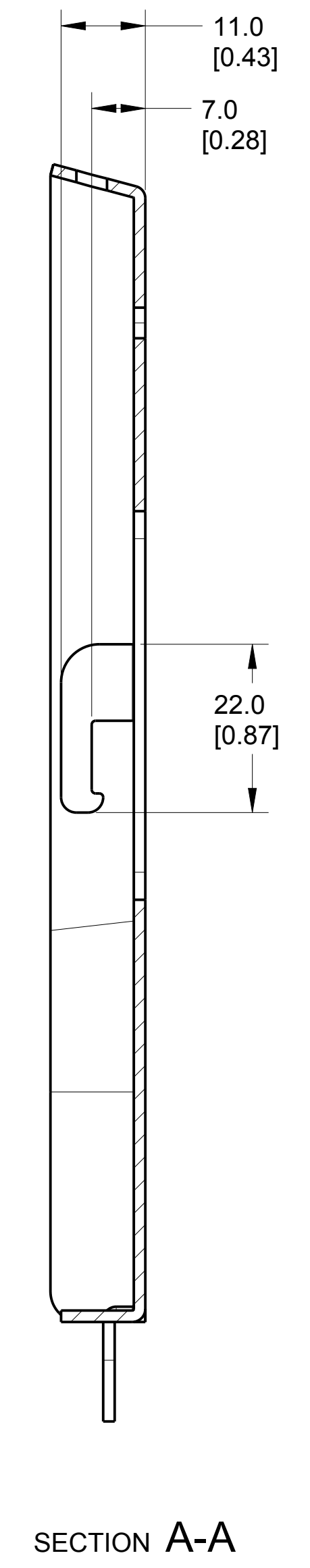
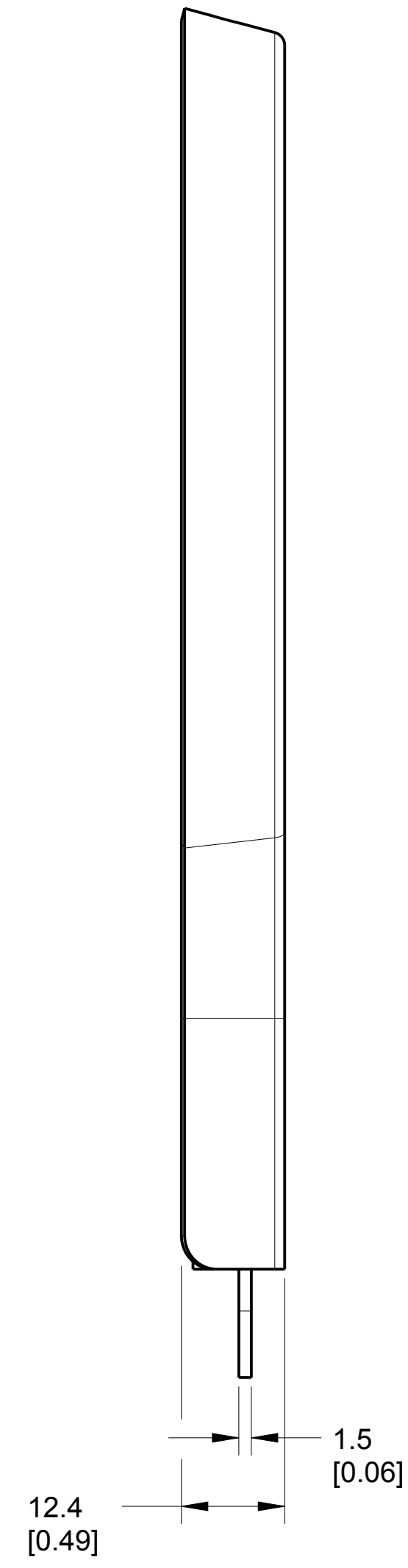
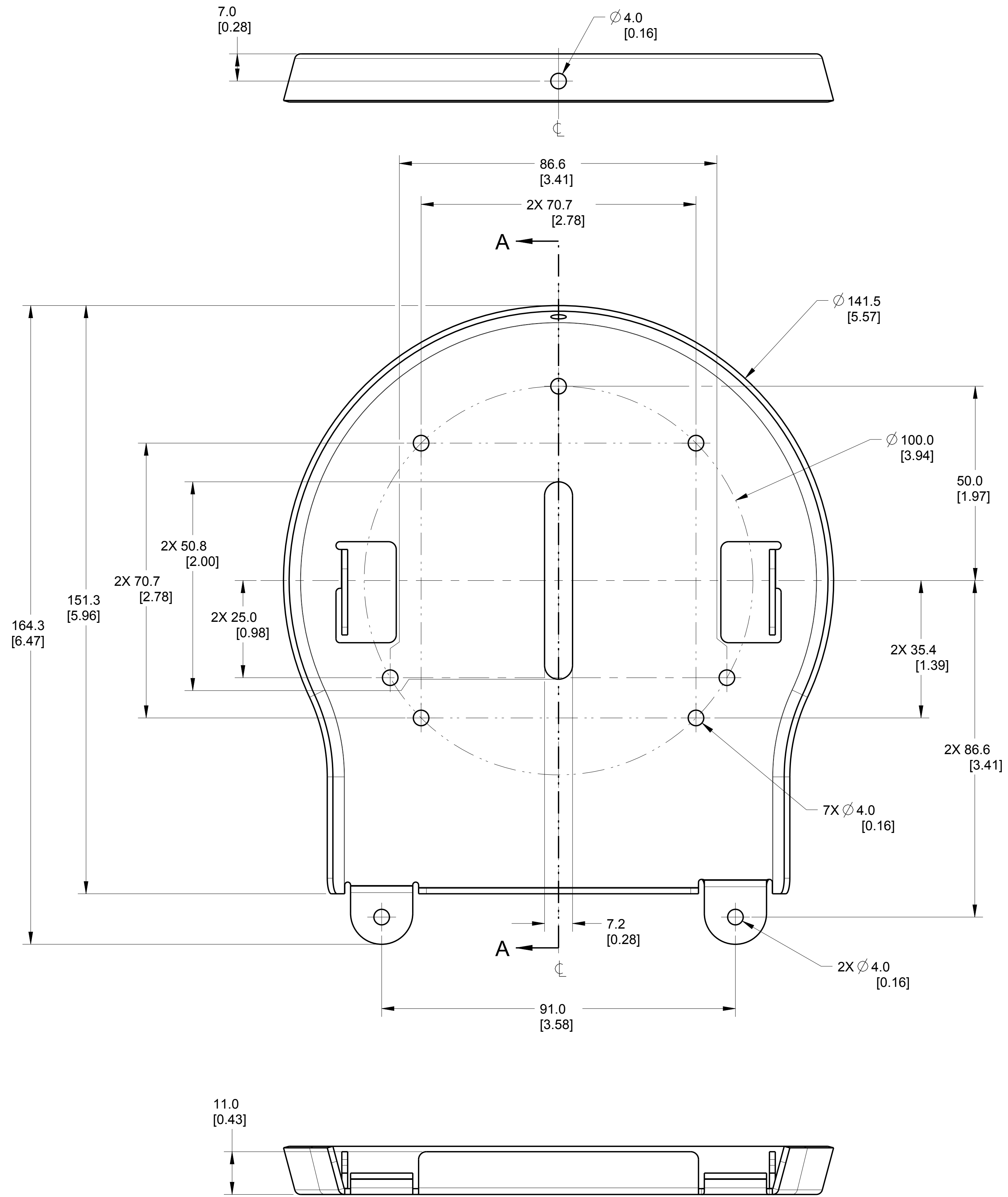
4. PARTS ARE SYMMETRICAL ABOUT CENTER LINES UNLESS OTHERWISE NOTED.
3. DIMENSIONS ARE IN MILLIMETERS [INCH].
2. TOLERANCES (MM): X ± 3, ANGLES: ± 1°.
1. NET WEIGHT OF BOTH PIECES APPROX. 0.9 LBS (0.41 KG).

NOTES: UNLESS OTHERWISE SPECIFIED

CH-001467-3D-01

UNLESS OTHERWISE SPECIFIED DIMENSIONS IN MILLIMETERS [IN] TOLERANCES ARE: DECIMALS DECIMALS ANGLES X± .5[0.2] XX± .25[0.1] ± 1/2 DEBURR EDGES .25 [0.10] R MAX	DESIGNER	ENG. SERVICES	QSC, LLC 1675 MACARTHUR BOULEVARD COSTA MESA, CA 92626	ACCESSORY, CAMERA CEILING MOUNT BRACKET SET PTZ-CMB1, FINISHED	SIZE	CAGE CODE	DRAWING NO.	REV					
	ENGINEER	TECHNICAL DIRECTOR			D	00PW4	CH-001467-2D	A					
	MATERIAL	MANUFACTURING ENGINEER			DRAWING INFO:	CH-001467-2D.A.0	MODEL INFO:	CH-001467-3D-01.A.0	SCALE:	1.500	DO NOT SCALE DRAWING	SHEET	1 OF 2
	FINISH												

THIS DOCUMENT CONTAINS PROPRIETARY INFORMATION WHICH IS THE PROPERTY OF GSC, LLC. THAT MAY NOT BE DISCLOSED, REPRODUCED OR USED WITHOUT EXPRESS WRITTEN CONSENT FROM GSC, LLC.



CH-001467-3D-02

SIZE	CAGE CODE	DRAWING NO.	REV
D	00PW4	CH-001467-2D	A
SCALE:	1.500	DO NOT SCALE DRAWING	SHEET 2 OF 2