

POWERED AMPLIFIER

**MAX 860/1500/2500**

# SERVICE MANUAL



**PHONIC**  
[www.phonic.com](http://www.phonic.com)

POWERED AMPLIFIER

**MAX 860/1500/2500**

**SERVICE MANUAL**

**CONTENTS**

**PANEL LAYOUT.....3**

**SYSTEM BLOCK DIAGRAM.....4**

**PCB**

    MAIN BOARD PCB.....5

**SCHEMATIC**

**POWER AMP SCHEMATIC.....6**

    POWER AMP INPUT(L) SCHEMATIC.....7

    POWERAMP INPUT(R) SCHEMATIC.....8

    POWERAMP OUTPUT(L) SCHEMATIC.....9

    POWER AMP OUTPUT(R) SCHEMATIC.....10

    POWER AMP SUPPLY SCHEMATIC.....11

**PART LIST**

    INPUT CONNECTORS PART LIST .....12

    POWER AMP(L) & CONTROLS PART LIST.....13

    POWER AMP(R) & POWER SUPPLY PART LIST.....14

    MISCELLANEOUS ITEMS.....21

    POWER REQUIREMENT CLASSIFICATION.....24

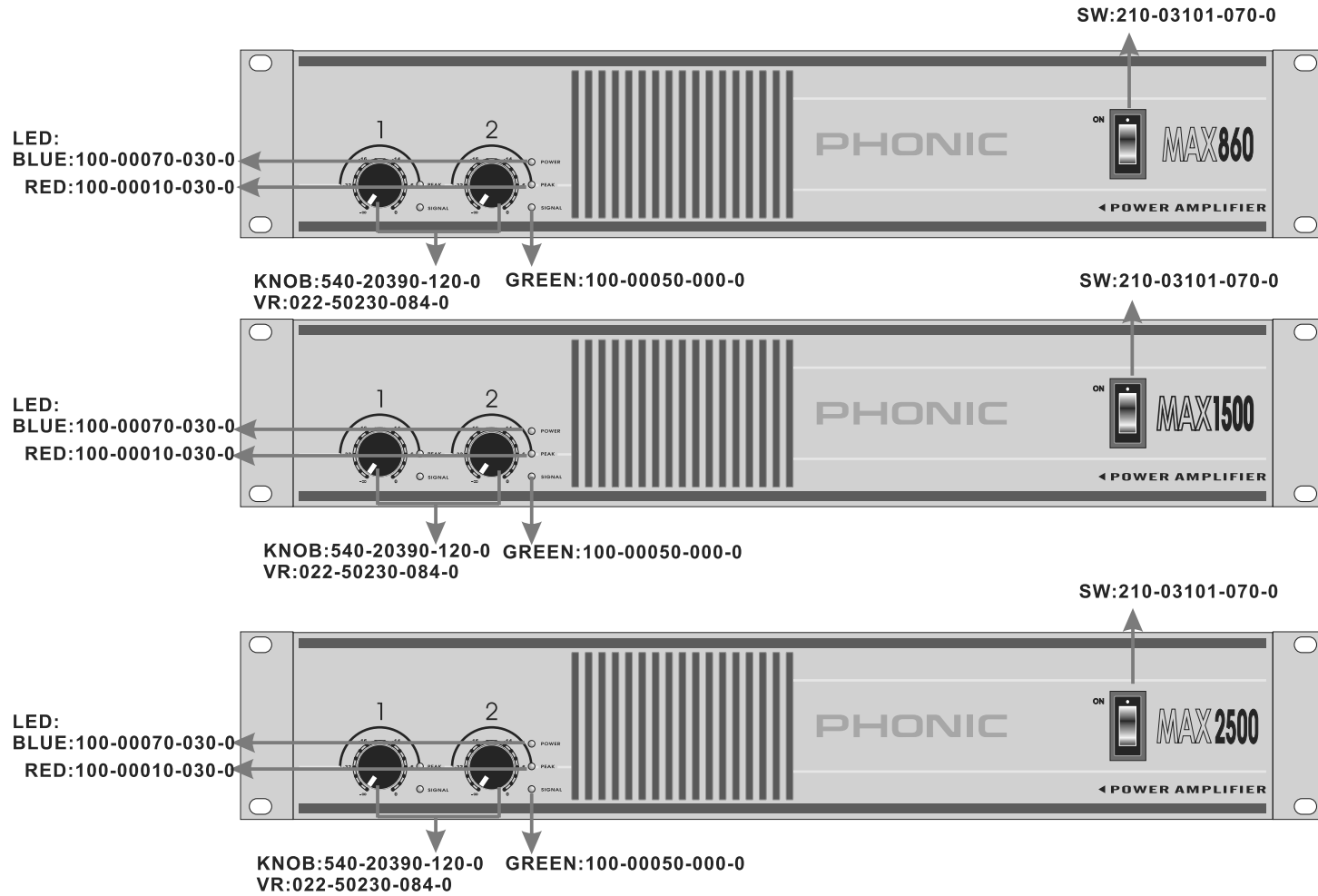
    IC LIST.....25

**DIMENSIONS.....26**

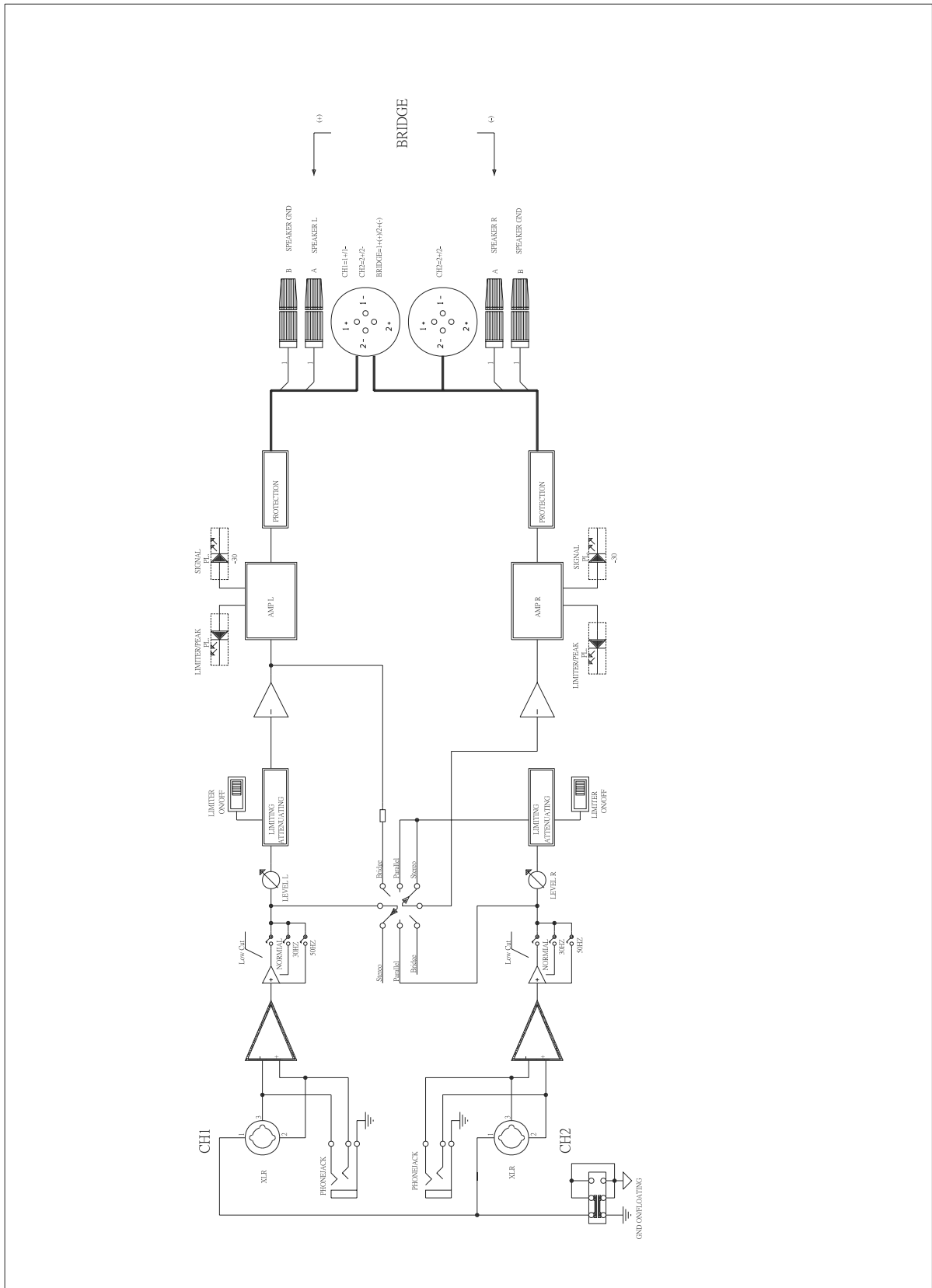
Phonic reserves the right to improve or alter any information supplied within this document without prior notice.

V2.1 Dec. 27, 2002

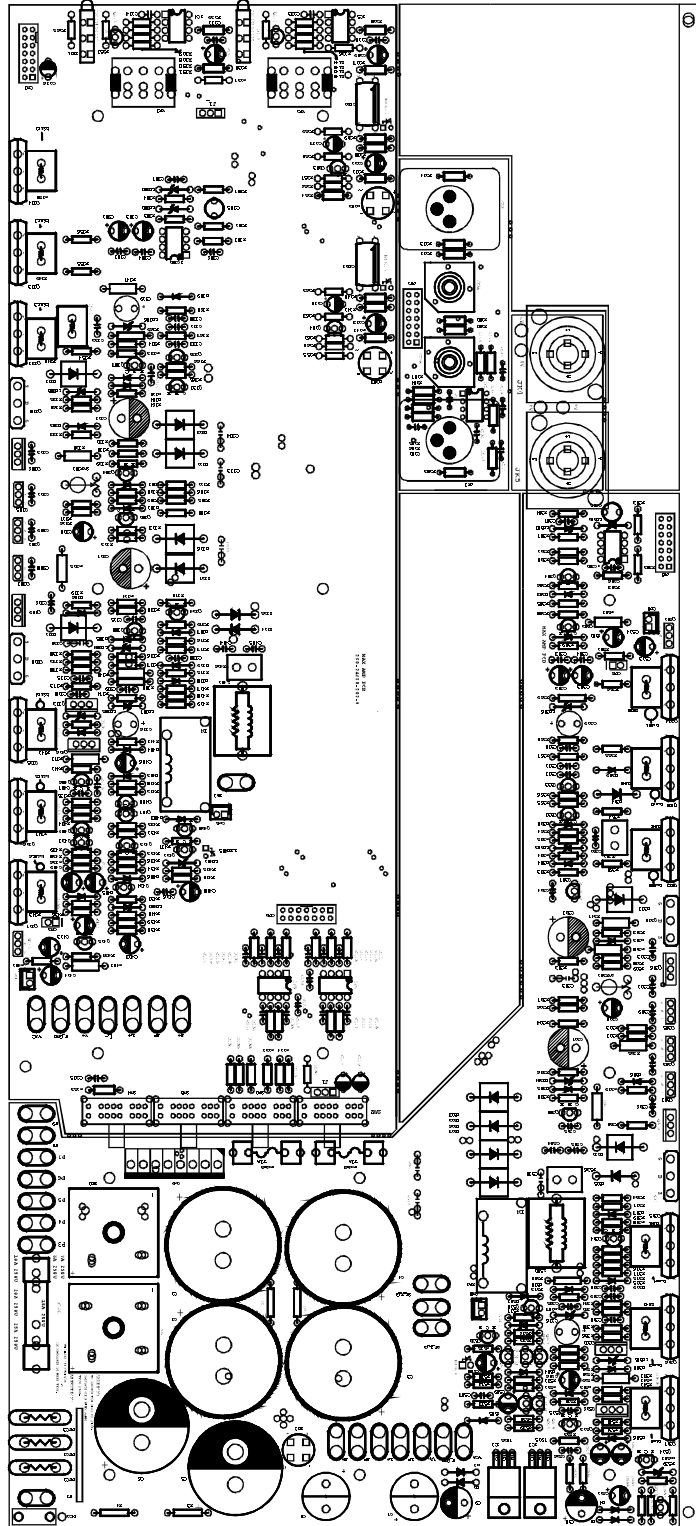
PANEL LAYOUT



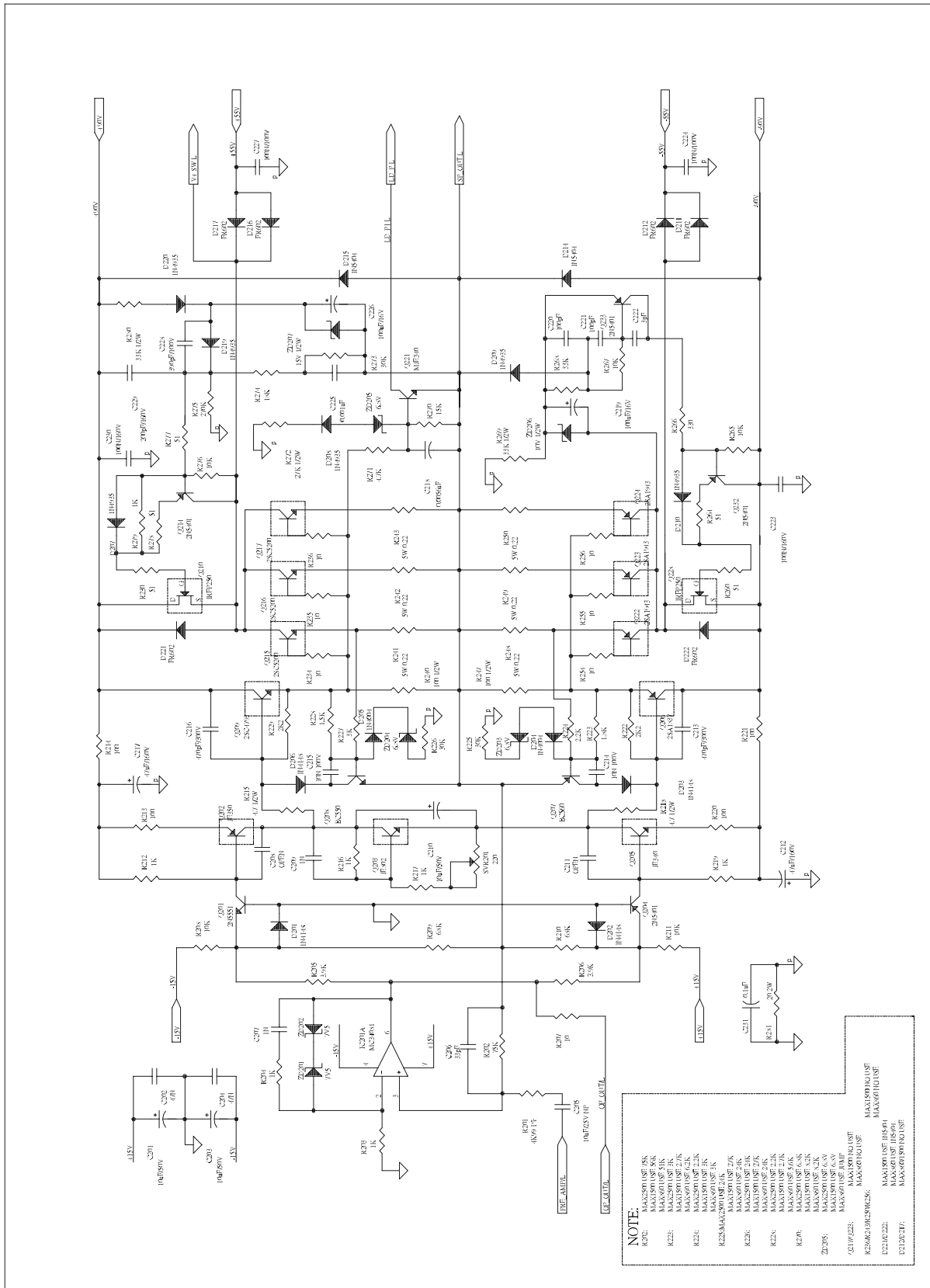
SYSTEM BLOCK DIAGRAM



MAIN BOARD PCB

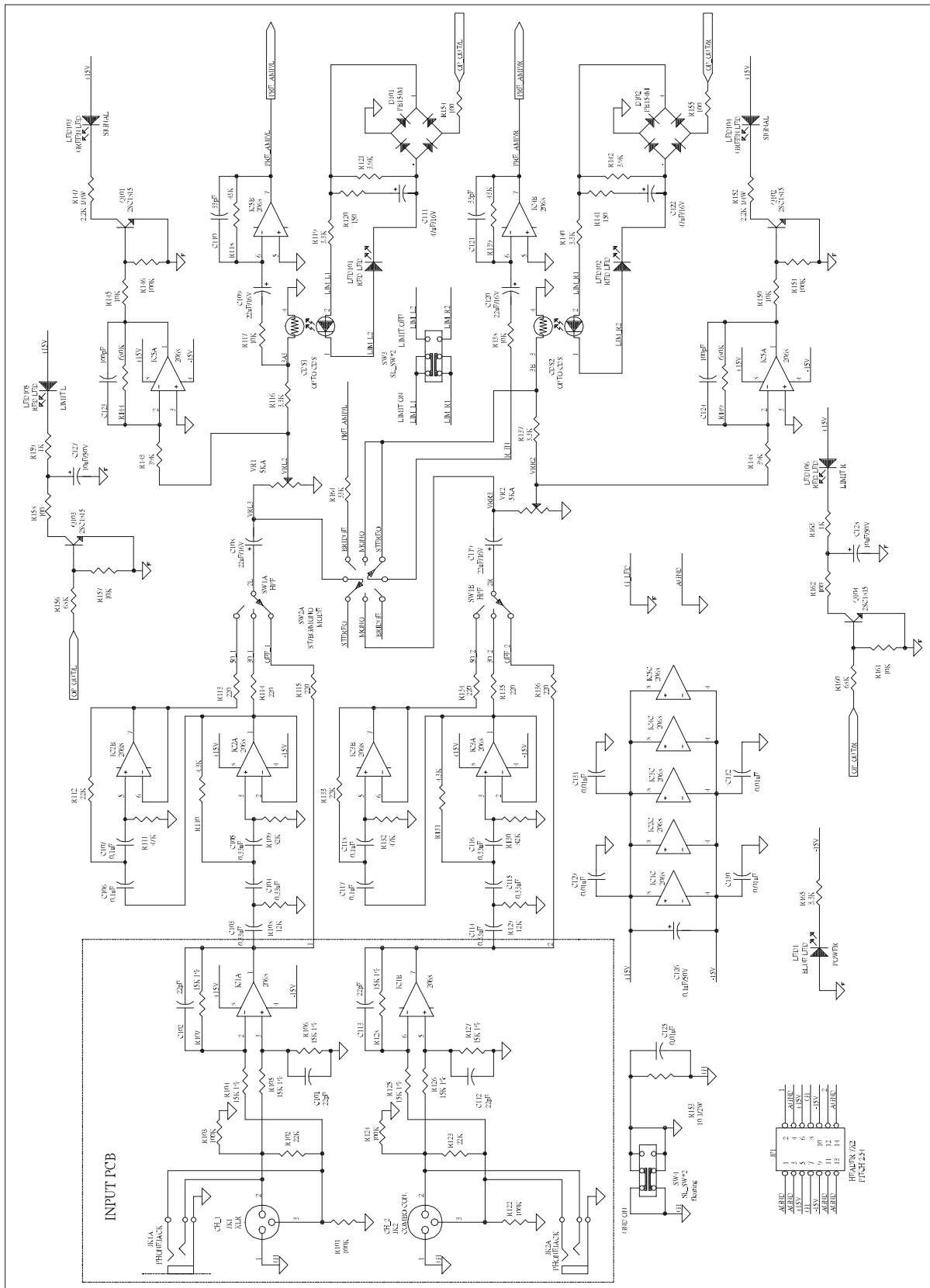


POWER AMP SCHEMATIC



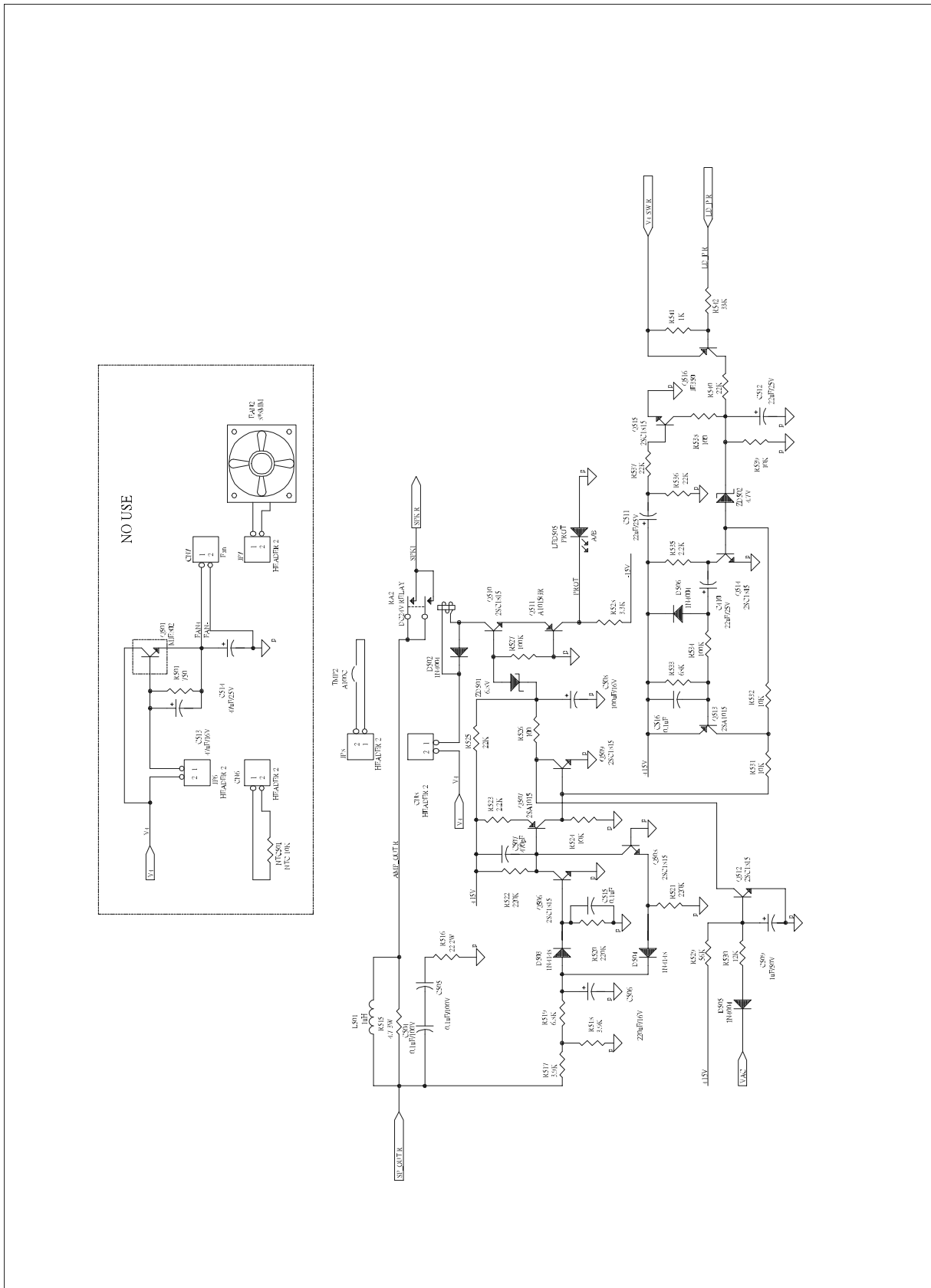


POWER AMP INPUT(R) SCHEMATIC

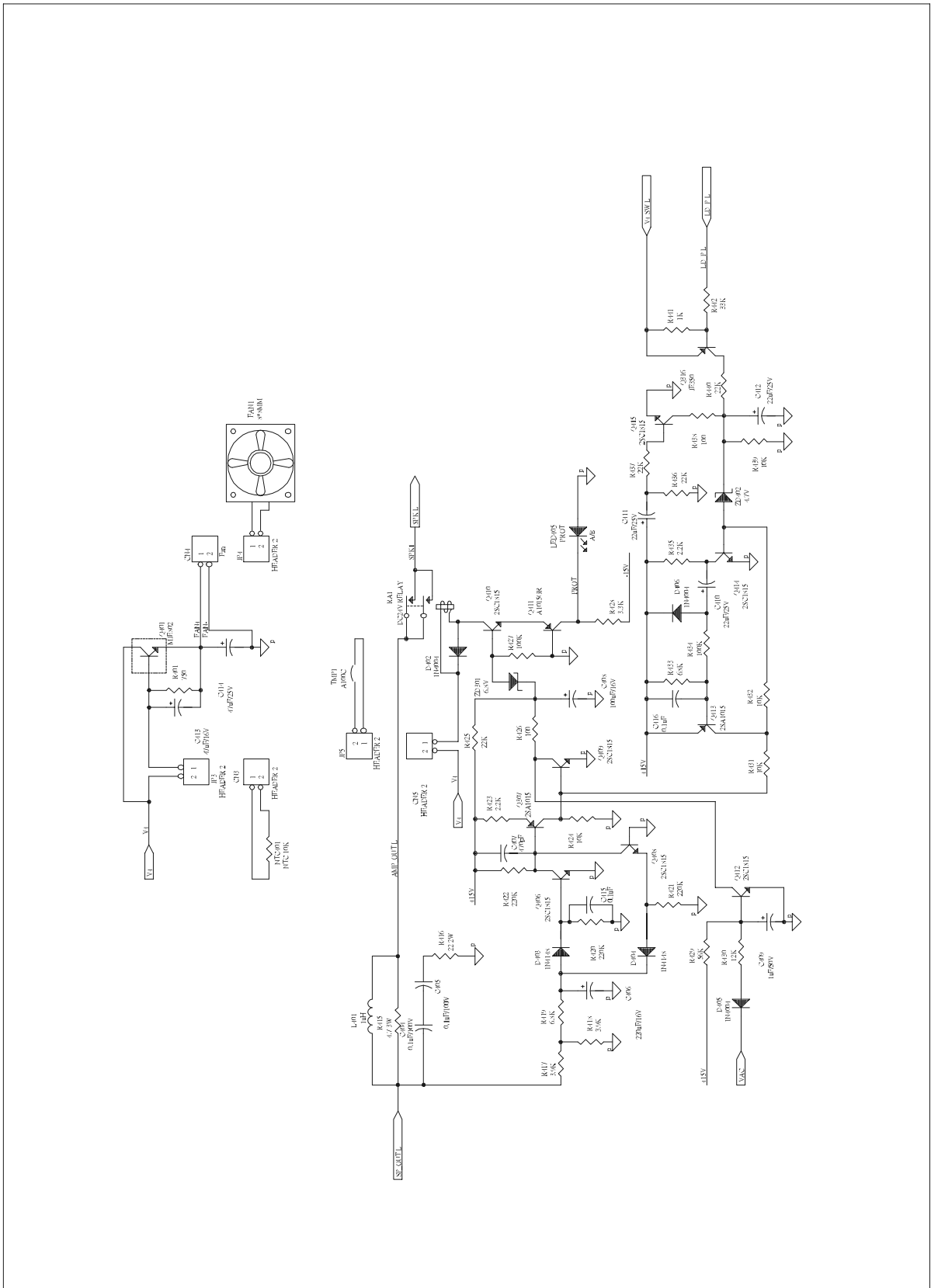




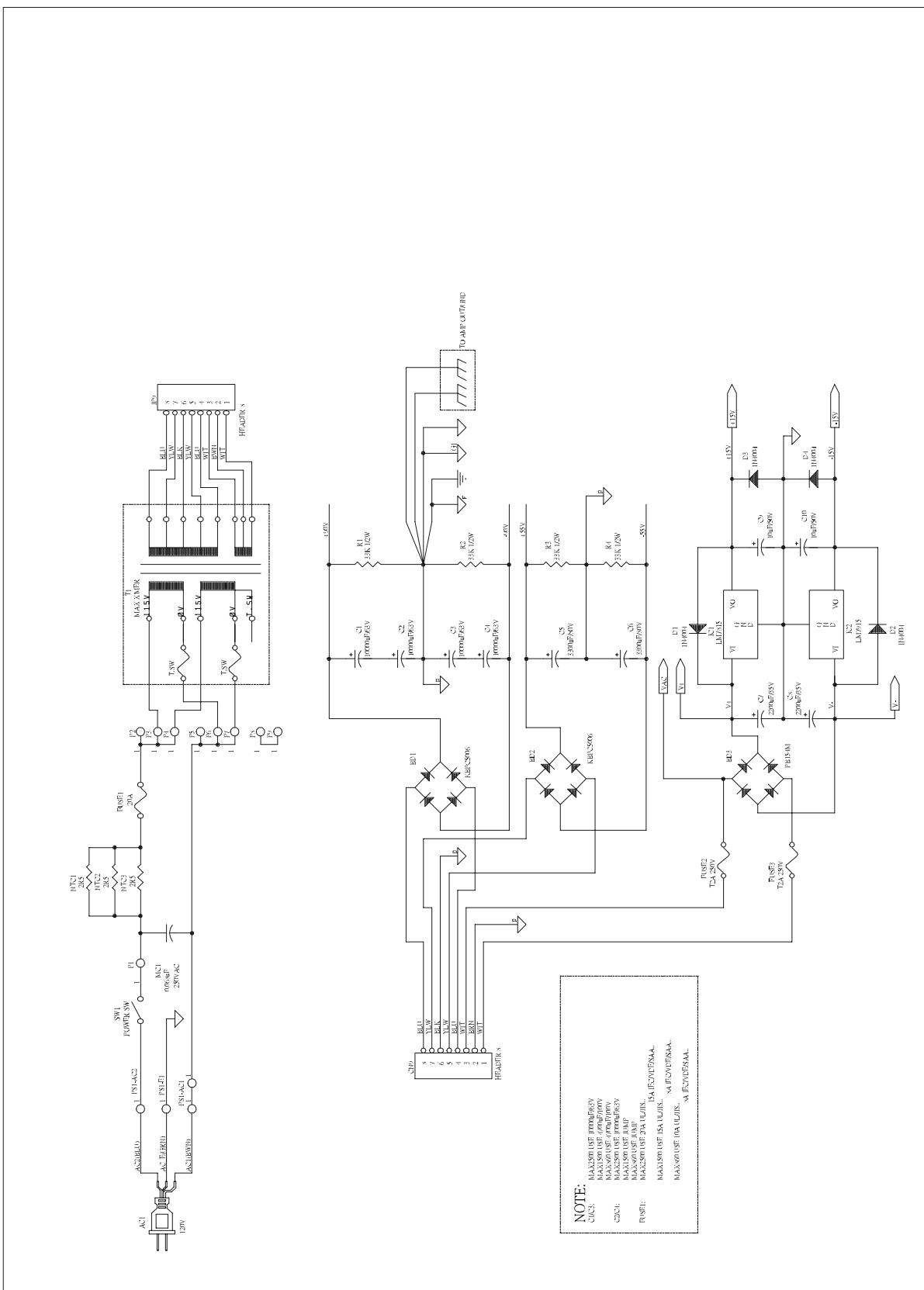
POWER AMP OUTPUT(L) SCHEMATIC



POWER AMP OUTPUT(R) SCHEMATIC



**POWER AMP SUPPLY SCHEMATIC**



**INPUT CONNECTORS PART LIST**

<b>Ref.</b>	<b>Phonic Part No.</b>	<b>Specification</b>
IC1	160-00007-500-0	IC NJM 2068D JRC
JK2A.3A	211-01602-560-0	6D4/J YLJ-6405-300 (NUT&WASHER)
JK2.3	211-03300-160-0	XLR/J SKCA229-1K3F2
JK4.5	211-03400-021-0	SPEAKON/J SVP563S-CH
A2	212-10010-680-0	1P WAFER/P 80MM UL1015#14 BLK
A4	212-10010-690-0	1P WAFER/P 80MM BWN
A1	212-10010-720-0	1P WAFER/P 80MM UL1015#14 RED
A3	212-10010-730-0	1P WAFER/P 80MM UL1015#14 ORANGE
JP1	212-11214-000-0	IC/P 120MM
R101.103.122.124	006-10032-440-0	MF RES. 100K F 0.25W
R104-107.125-128	006-15022-440-0	MF RES. 15K F 0.25W T
R102.123	006-22022-440-0	MF RES 22K F 0.25W T
C131.132	042-10326-050-0	C/C2 0.01MF M 50V 5 T
C101.102.112.113	042-22024-050-0	C/C2 22PF J 50V 5 T

**POWER AMP(L) & CONTROLS PART LIST**

<b>Ref.</b>	<b>Phonic Part No.</b>	<b>Specification</b>
R281	003-20071-602-0	CEMENT RES. 20 J 2W
R416	003-22071-602-0	CEMENT RES. 22 J 2W
R241.242.243.248.249.250	003-22093-602-0	CEMENT RES. 0.22 J 5W
R240.247	006-10003-420-0	MF RES. 100F 0.5W M
R153	006-10073-420-0	MF RES. 10F 0.5W M
R272	006-27023-420-0	MF RES.27K F 0.5W M
R280.269	006-33023-420-0	MF RES.33K F 0.5W M
R215.218	006-47083-420-0	MF RES. 4.7 F 0.5W M
CDS1.2	010-00001-010-0	CDS P873-G35-552 HAMAMATSU
NTC401	011-10020-001-0	THERMISTER NSA05C310-301
SVR201	020-47138-000-6	T/VR 470J T-085C-B470 0.5W
VR1.2	023-50230-050-0	D.ROT/VR 5KA
C404.405	046-10414-060-0	M/C 0.1MF J 100V 5 T
C103.104.105.114.115.116	050-33404-001-0	M.M/C 0.33MF J 100V 10
L401	075-10082-100-0	INDUCTANCE 1UH K M
RA1	076-02421-050-0	RELAY PCF-124D1M
D204.205.402.405.406	090-00007-020-0	DIODE IN4004 SILTEK T
D214.215	090-00016-000-0	DIODE 1N5404
D207-210.219.220	090-02004-000-0	DIODE 1N4935 T
D211.212.216.217.221.222	090-02007-000-0	DIODE FR602
D101.102	090-10000-000-0	B/DIODE PB154
LED101.102.105.106	100-00010-030-0	LED BL-B5141 RED
LED405	100-00040-000-0	LED 204YD YLW
LED103.104	100-00050-000-0	LED BL-B2141 GRN
LED1	100-00070-030-0	LED 204UBD D3 BLUE
Q205.221	120-00005-000-0	TRAN MJE340 MOTOROLA
Q215.216.217	120-00008-600-0	TRAN 2SC5200-O TOSHIBA
Q203.401	120-00008-800-0	TRAN MJE802 MOTOROLA
Q209	120-00009-500-0	TRAN 2SC4793-M TOSHIBA
Q222.223.224	121-00006-000-0	TRAN 2SA1943-O TOSHIBA
Q202.416	121-00006-100-0	TRAN MJE350 MOTOROLA
Q206	121-00007-200-0	TRAN 2SA1837-M TOSHIBA
Q210.228	122-00002-600-0	MOSFET IRFP260N IR
IC2.3.4.5	160-00007-500-0	IC NJM 2068D JRC
IC201	160-00021-900-0	IC NJM5534D JRC
TMP1	210-10090-001-0	TMP/SW US-602SXRFCQ
SW1.2.3.4	210-60001-000-0	SLD/SW SLD-43-10

**POWER AMP(L) & CONTROLS PART LIST**

<b>Ref.</b>	<b>Phonic Part No.</b>	<b>Specification</b>
CN1.2	211-09142-000-0	14P B.E./S 180DEGREE
CN4.5	211-10021-161-0	2P WAFER/S TJC3-2A P=2.5MM 180DEGREE CN5
	212-10023-470-0	2P WAFER/P 150MM
J1-J1	212-10032-000-6	3P WAFER/P L=350MM
	313-00000-000-0	TRANSISTOR WASHER TO-220
Q210.228	313-00010-000-0	WASHER TO-3P
H+ H- L+ L P_GND- V+VAC	315-00012-000-0	LUG PIN JP-15
D101.102*1	322-05000-100-0	TUBE 5MM*D1
R240.247.215.218.D211.212.216.217 .221.222.214.215*2.LED405*1	322-31000-100-0	TUBE 10MM*D1
	526-20053-010-0	HEAT SINK MAX SERIES PHONIC
	552-20065-400-0	IC FIXED MAX2500
THERMAL SW*2 S THERMAL RES.*1 IC*6	590-43010-100-0	M/E PAN SCR. M3.0*10 NI
FIX TRANSISTOR	590-43012-100-0	M/E PAN SCR. M3.0*12 NI
PAD ON FIX TRANSISTOR	590-43014-100-0	M/E PAN SCR M3.0*14 NI
	610-00300-501-0	PLA. WAS. D3.0*D7.0*0.5 NI
	610-60300-501-0	PAN SPR. WAS D3.0*D7*0.5 NI
	615-60026-620-0	LED BOSS LET5-3
R154.155.158.162.213.214.220.221.4 26.438	006-10002-440-0	MF RES. 100 F 0.25W T
R159.163.203.204.212.216.217.219.2 79.441	006-10012-420-0	MF RES. 1K F 0.25W M
R117.138.145.150.157.161.208.211.2 65.267.276.424.431.432.439	006-10022-440-0	MF RES. 10K F 0.25W T
R146.151.427.434	006-10032-440-0	MF RES. 100K F 0.25WT
R207.234.235.236.254.255.256	006-10072-440-0	MF RES 10 F 1/4W
R108.129.430	006-12022-440-0	MF RES 12KF 0.25W T
R120.141	006-15002-420-0	MF RES. 150 F 0.25W M
R274	006-18022-440-0	MF RES. 18K F 0.25W T
R113.114.115.134.135.136	006-22002-410-0	MF RES. 220 F 0.25W P
R147.152.222.224.228.229.423.435	006-22012-440-0	MF RES 2K2 F 0.25W T
R112.133.425.436.437.440	006-22022-440-0	MF RES 22K F 0.25W T
R420.421.422	006-22032-420-0	MF RES. 220K F 0.25W M
R225.226	006-24022-440-0	MF RES. 24K F 0.25W T

**POWER AMP(L) & CONTROLS PART LIST**

<b>Ref.</b>	<b>Phonic Part No.</b>	<b>Specification</b>
R275	006-27032-420-0	MF RES. 270K F 0.25W M
R223.227	006-30012-440-0	MF RES. 3K F 0.25W T
R273	006-30022-420-0	MF RES. 30K F 0.25W M
R266	006-33002-440-0	MF RES. 330 F 0.25W T
R116.119.137.140.165.428	006-33012-440-0	MF RES. 3K3 F 0.25W T
R164.268.442	006-33022-440-0	MF RES. 33K F 0.25W T
R121.142.205.206.417.418	006-39012-420-0	MF RES. 3K9 F 0.25W M
R143.148	006-39022-440-6	MF RES. 39K F 0.25W T
R110.131	006-43012-400-0	MF RES. 4K3 F 0.25W T
R118.139	006-43022-420-0	MF RES. 43K F 0.25W M
R271	006-47012-420-0	MF RES. 4K7 F 0.25W M
R111.132	006-47022-440-0	MF RES. 47K F 0.25W T
R201	006-49912-440-0	MF RES. 4K99 F 0.25W T
R230.260.264.277.278	006-51072-420-0	MF RES. 51F 0.25W M
R429	006-56022-440-6	MF RES. 56K +/-1% 0.25W T
R270.419	006-68012-440-0	MF RES. 6K8 F 0.25W T
R156.160.209.210.433	006-68022-420-0	MF RES. 68K F 0.25W M
R144.149	006-68032-440-0	MF RES. 680K F 0.25W T
R401	006-75002-420-0	MF RES. 750 F 0.25W M
R202	006-75022-420-0	MF RES. 75K F 0.25W T
R109.130	006-82022-440-0	MF RES. 82K F 0.25W T
C126	030-10484-0A0-0	E/C 0.1MF J 100V 5T
C409	030-10558-0A0-0	E/C 1MF Z 50V 5*11 T
C127	030-10656-0A0-0	E/C 10MF M 50V 5*11 T
C219.226.408	030-10725-0A0-0	E/C 100MF K 16V T
C108.109.119.120	030-22628-0A0-0	E/C 22MF Z 16V 5*11 T
C410.411.412	030-22638-0A0-0	E/C 22MF Z 25V 5*11 T
		C406
	030-22728-0A0-0	E/C 220MF Z 16V 8*11 T
C111.122.413.414	030-47638-0A0-0	E/C 47MF Z 25V 6.3*11 T
C212.217	030-47695-000-0	E/C 47MF K 160V P
C205	032-10636-0A0-0	NP E/C 10MF M 25V 6.3*11 T
C106.107.117.118	040-10425-160-0	ML/C 0.1UF 50V K X7R P
C222	042-03020-000-0	C/C2 3PF C 50V 5
C123.124..220.221	042-10144-050-0	C/C2 100PF J 100V 5T
C207.209.225	042-10225-050-0	C/C2 0.001MF K 50V 5 T
C125.129.130	042-10326-050-0	C/C2 0.01MF M 50V 5 T

## POWER AMP(L) &amp; CONTROLS PART LIST

Ref.	Phonic Part No.	Specification
C214.215	042-10345-160-6	C/C2 0.01UF K 100V T
C231.415.416	042-10426-050-0	C/C2 0.1MF M 50V 5 T
C223.224.227.230	042-104A8-000-0	C/C2 0.1MF Z 250V 5
C229	042-201A5-000-0	C/C2 200PF K 250V
C110.121.206	042-33024-050-0	C/C2 33PF J 50V 5 T
C228	042-391A4-050-0	C/C2 390PF J 250V 5 T
C407	042-47124-050-0	C/C2 470PF J 50V 5 T
C213.216	042-47164-050-0	C/C2 470PF J 350V 5 T
C202.204	042-47325-050-0	C/C2 0.047MF K 50V 5 T
C218	42-56224-050-0	C/C2 0.0056MF J 50V T
ZD206	090-01103-010-0	Z/DIODE 10V K 0.5W FAIRC
ZD207	090-01153-010-0	Z/DIODE 15V K 0.5W UNIZON
ZD402	090-01472-020-0	ZENER DIODE 4.7V J 0.5W T
ZD203.204.205.401	090-01682-000-0	ZEN/DIODE 6.8V J0.5W UNIZO
ZD201.202	090-01752-010-0..	ZEN/DIODE 7V5 K 0.5W FAIRCH
D201.202.203.206.403.404	090-02000-020-0	DIODE 1N4148 T26MM MINI
Q101.102.103.104.406.408.409.410.412.414 .415	120-00000-800-0	TRAN. 2SC1815 GR TOSHIBA
Q201	120-00001-400-0	TRAN. 2N5551 MOTOROLA
Q208	120-00009-700-0	TRAN. BC546B PHILIPS(代 BC550)
Q407.411.413	121-00000-200-0	TRAN. 2SA1015 GR TOSHIBA
Q204.214.232.233	121-00000-300-0	TRAN. 2N5401 MOTOROLA
Q207	121-00007-500-0	TRAN. BC556B PHILIPS ( BC560)
CE-3839	290-34680-204-0	PCB MAX SERIES PWR-AMP



**POWER AMP(R) & POWER SUPPLY PART LIST**

<b>Ref.</b>	<b>Phonic Part No.</b>	<b>Specification</b>
R381	003-20071-602-0	CEMENT RES. 20 J 2W
R516	003-22071-602-0	CEMENT RES. 22 J 2W
R341.342.343.348.349.350	003-22093-602-0	CEMENT RES. 0.22 J 5W
R340.347	006-10003-420-0	MF RES. 100F 0.5W M
R372	006-27023-420-0	MF RES.27K F 0.5W M
R1.2.3.4.369.380	006-33023-420-0	MF RES.33K F 0.5W M
R315.318	006-47083-420-0	MF RES. 4.7 F 0.5W M
NTC1.2.3	012-250B0-010-0	NTC TERMISTOR N15SP2R5L
SVR301	020-47138-000-6	T/VR 470J T-085C-B470 0.5W
C1.2.3.4	030-10968-001-0	E/C 10000MF Z 63V 35*50 P
C7.8	030-22848-002-0	E/C 2200MF Z 35V 16*27 P
C5.6	030-33876-000-0	E/C 3300MF M 80V 30*31 P
C504.505	046-10414-060-0	M/C 0.1MF J 100V 5 T
MC1	058-68325-100-0	MEX-683K 0.068MF/250V 18*13.5 P=15
L501	075-10082-100-0	INDUCTANCE 1UH K M
RA2	076-02421-050-0	RELAY PCF-124D1M
D1.2.3.4.304.305.502.505.506	090-00007-020-0	DIODE IN4004 SILTEK T
D314.315	090-00016-000-0	DIODE 1N5404
D307-310.319.320	090-02004-000-0	DIODE 1N4935 T
D311.312.316.317.321.322	090-02007-000-0	DIODE FR602
BD3	090-10000-000-0	B/DIODE PB154
BD1.2	090-10016-000-0	B/DIODE KBPC5006
LED505	100-00040-000-0	LED 204YD YLW
Q305.321	120-00005-000-0	TRAN MJE340 MOTOROLA
Q315.316.317	120-00008-600-0	TRAN 2SC5200-O TOSHIBA
Q303	120-00008-800-0	TRAN MJE802 MOTOROLA
Q309	120-00009-500-0	TRAN 2SC4793-M TOSHIBA
Q322.323.324	121-00006-000-0	TRAN 2SA1943-O TOSHIBA
Q302.516	121-00006-100-0	
Q306	121-00007-200-0	TRAN 2SA1837-M TOSHIBA
Q310.328	122-00002-600-0	MOSFET IRFP260N IR
IC2	160-00002-909-0	IC 7915

## POWER AMP(R) &amp; POWER SUPPLY PART LIST

Ref.	Phonic Part No.	Specification
IC1	160-00005-909-0	IC 7815
IC301	160-00021-900-0	IC NJM5534D JRC
TMP2	210-10090-001-0	TMP/SW US-602SXRFQC VERIAL
CN7	211-10021-161-0	2P WAFER/S TJC3-2A P=2.5MM 180DEGREE
CN9	211-10084-020-0	8P WAFER/S 396108 180 P=3.96MM
CN8	212-10023-470-0	2P WAFER/P 150MM
JP2	212-11214-000-0	IC/P 120MM
FUSE1	281-00000-010-0	FUSE CLIP FH-1208
FUSE2.3	281-00000-020-0	FUSE CLIP FH-1206
CE-2752	313-00000-000-0	TRANSISTOR WASHER TO-220
Q310.328	313-00010-000-0	WASHER TO-3P
H+ H- L+ L- P2-P9 P_GND V+AC V	315-00012-000-0	LUG PIN JP-15
BD3*1	322-05000-100-0	TUBE 5MM*D1
R340.347.502.315.318.D311.312.316 .317.32	322-31000-100-0	TUBE 10MM*D1 1.322.D314.315*2.LED505*1
KBPC5006	526-20046-010-0	HEAT SINK MAR2000
CE-2628	526-20053-010-0	HEAT SINK MAX PHONIC
CE-267	552-20065-400-0	IC FIXED MAX2500
KBPC5006	590-24020-200-0	M/E BID SCR. M4*20 BLK
THERMAL	590-43010-100-0	M/E PAN SCR. M3.0*10 NI
FIX TRANSISTOR	590-43012-100-0	M/E PAN SCR. M3.0*12 NI
PAD ON FIX TRANSISTOR	590-43014-100-0	M/E PAN SCR M3.0*14 NI
IC1.2	590-53008-100-0	M/E SET SCR. M3.0*8 N
CE-2752	610-00300-501-0	PLA. WAS. D3.0*D7.0*0.5 NI
IC1.2	610-60300-501-0	PAN SPR. WAS D3.0*D7*0.5 NI
KBPC5006	610-60401-001-0	PAN SPR. WAS. D4*7.6*1.0 NI
IC1.2	615-60033-630-0	BOSS CU L=24
R313.314.320.321.526.538	006-10002-440-0	MF RES. 100 F 0.25W T
R303.304.312.316.317.319.379.541	006-10012-420-0	MF RES. 1K F 0.25W M
R308.311.365.367.376.524.531.532.5 39	006-10022-440-0	MF RES. 10K F 0.25W T
R527.534	006-10032-440-0	MF RES. 100K F 0.25W T
R307.334.335.336.354.355.356	006-10072-440-0	MF RES 10 F 1/4W
R530	006-12022-440-0	MF RES 12KF 0.25W T
R374	006-18022-440-0	MF RES. 18K F 0.25W T
R322.324.328.329.523.53	006-22012-440-0	MF RES 2K2 F 0.25W T

## POWER AMP(R) &amp; POWER SUPPLY PART LIST

Ref.	Phonic Part No.	Specification
R525.536.537.540	006-22022-440-0	MF RES 22K F 0.25W T
R520.521.522	006-22032-420-0	MF RES. 220K F 0.25W M
R325.326	006-24022-440-0	MF RES. 24K F 0.25W T
R375	006-27032-420-0	MF RES. 270K F 0.25W M
R323.327	006-30012-440-0	MF RES. 3K F 0.25W T
R373	006-30022-420-0	MF RES. 30K F 0.25W M
R366	006-33002-440-0	MF RES. 330 F 0.25W T
R528	006-33012-440-0	MF RES. 3K3 F 0.25W T
R368.542	006-33022-440-0	MF RES. 33K F 0.25W T
R305.306.517.518	006-39012-420-0	MF RES. 3K9 F 0.25W M
R371	006-47012-420-0	MF RES. 4K7 F 0.25W M
R301	006-49912-440-0	MF RES. 4K99 F 0.25W T
R330.360.364.377.378	006-51072-420-0	MF RES. 51F 0.25W M
R529	006-56022-440-6	MF RES. 56K +/-1% 0.25W T
R370.519	006-68012-440-0k	MF RES. 6K8 F 0.25W T
R309.310.533	006-68022-420-0	MF RES. 68K F 0.25W M
R302	006-75022-420-0	MF RES. 75K F 0.25W T
C509	030-10558-0A0-0	E/C 1MF Z 50V 5*11 T
C9.10.301.303.310.	030-10656-0A0-0	E/C 10MF M 50V 5*11 T
C319.326.508	030-10725-0A0-0	E/C 100MF K 16V T
C510.511.512	030-22638-0A0-0	E/C 22MF Z 25V 5*11 T
C506	030-22728-0A0-0	E/C 220MF Z 16V 8*11 T
C312.317	030-47695-000-0	E/C 47MF K 160V P
C305	032-10636-0A0-0	NP E/C 10MF M 25V 6.3*11 T
C322	042-03020-000-0	C/C2 3PF C 50V 5
CE-3021	C320.321042-101 44-050-0	C/C2 100PF J 100V 5T
C307.309.325	042-10225-050-0	C/C2 0.001MF K 50V 5 T
C314.315	042-10345-160-6	C/C2 0.01UF K 100V T
C331.515.516	042-10426-050-0	C/C2 0.1MF M 50V 5 T
C323.324.327.330	042-104A8-000-0	C/C2 0.1MF Z 250V 5
C329	042-201A5-000-0	C/C2 200PF K 250V
C306	042-33024-050-0	C/C2 33PF J 50V 5 T
C328	042-391A4-050-0	C/C2 390PF J 250V 5 T
C507	042-47124-050-0	C/C2 470PF J 50V 5 T
C313.316	042-47164-050-0	C/C2 470PF J 350V 5 T
C302.304	042-47325-050-0	C/C2 0.047MF K 50V 5 T

## POWER AMP(R) &amp; POWER SUPPLY PART LIST

Ref.	Phonic Part No.	Specification
C318	042-56224-050-0	C/C2 0.0056MF J 50V T
ZD306	090-01103-010-0	Z/DIODE 10V K 0.5W FAIRC
ZD307	090-01153-010-0	Z/DIODE 15V K 0.5W UNIZON
ZD502	090-01472-020-0	ZENER DIODE 4.7V J 0.5W T
ZD303.304.305.501	090-01682-000-0	ZEN/DIODE 6.8V J0.5W UNIZO
ZD301.302	090-01752-010-0	ZEN/DIODE 7V5 K 0.5W FAIRCH
D301.302.303.306.503.504	090-02000-020-0	DIODE 1N4148 T26MM MINI
Q506.508.509.510.512.514.515	120-00000-800-0	TRAN. 2SC1815 GR TOSHIBA
Q301	120-00001-400-0	TRAN. 2N5551 MOTOROLA
Q308	120-00009-700-0	TRAN. BC546B PHILIPS(BC550)
Q507.511.513	121-00000-200-0	TRAN. 2SA1015 GR TOSHIBA
Q304.314.332.333	121-00000-300-0	TRAN. 2N5401 MOTOROLA
Q307	121-00007-500-0	TRAN. BC556B PHILIPS (BC560)

## MISCELLANEOUS CLASSIFICATION ITEMS

Ref.	Phonic Part No.	Specification
POWER SW	210-03101-070-0	SSA/SW
	211-17000-410-0	BINDING POST BP-47-2P
SPK-L	212-10010-650-0	1P WAFER/P 100MM UL1015#14 RED
E-444	212-10010-750-6	1P WAFER/P 1617#14 AWG 370MM BLUE
E-444	212-10010-760-6	1P WAFER/P 1617#14 AWG 320MM RED
VAC	212-10010-770-0	1P WAFER/P 220MM BLK
P_GND	212-10010-780-0	1P WAFER/P 240MM BWN
V+	212-10010-790-0	1P WAFER/P 260MM RED
L-	212-10010-800-0	1P WAFER/P 280MM ORANGE
L+	212-10010-810-0	1P WAFER/P 300MM YLW
H-	212-10010-820-0	1P WAFER/P 320MM BLUE
H+	212-10010-830-0	1P WAFER/P 340MM WHT
SPK_L	212-10010-840-0	1P WAFER/P 320MM RED
SPK_R	212-10010-850-0	1P WAFER/P 160MM ORANGE
SPK_GND_L	212-10010-860-0	1P WAFER/PP 150MM BLK
SPK_GND_R	212-10010-870-0	1P WAFER/P 150MM BWN
	307-00000-070-0	CORD CONNECTOR C5
	315-00000-000-0	LUG D4 GROUND
	321-00000-070-0	CABLE TIE HW-100MM
	347-00000-201-0	FAN JF0825S2H-419
	510-21000-902-0	PANEL MAX2500
	511-20680-101-0	BACK PANEL MAX2500
	516-20440-100-0	TOP COV. MAX SERIES PHONIC
	517-20600-100-0	BOT COV. MAX SERIES PHONIC
	518-20270-100-0	FAN COV. MAX SERIES PHONIC
	525-00009-100-0	FEET D26.5*11 BLK
	526-10056-110-0	LINK HEAT SINK
	528-00000-000-0	FAN NET WHT PWA2200 8"
	528-60012-000-0	NET MAX860/1500/2500
	540-20390-120-0	R/KNOB D18*18MM BLK
	551-20074-200-0	FIXED SECC T=1.5MM BRKT/R MAX
	551-60055-200-0	FIXED SECC T=1.5MM BRKT/L MAX
	552-20048-420-0	ADHESIVE FIXED FW-5D-3M
	560-21070-100-0	CARTON MAX2500 570*540*100

**MISCELLANEOUS CLASSIFICATION ITEMS**

<b>Ref.</b>	<b>Phonic Part No.</b>	<b>Specification</b>
	561-21300-900-0	G/B MAX2500 555*525*180 A=B
	565-60077-000-0	POLYLON MAX SERIES
	565-60078-000-0	POLYLON MAX860/1500/2500
	568-00003-000-0	PE BAG #10 240*340*0.05
	568-20018-000-0	PE BAG 630*630*0.07
	572-00000-050-0	DRYER 5g
	573-10124-010-0	GND LABEL MAR2
	573-20340-001-0	LABEL D25 BLK
	573-60240-000-0	BAR CODE LABEL PHONIC
	573-60343-000-0	LABEL LEVERL METER LABEL BLUE D=8mm
	574-34680-110-0	OWN. MANU. MAX2500/1500/860 PHONIC
	579-00000-068-0	MINI CATALOG PHONIC SERIES
FIX BOT COVER&FAN BRKT*4 FIX BOT/TOP COV&PANEL*10	590-03006-200-0	M/E FLT SCR. M3.0*6 BLK
FLX FAN&FAN BRKT*4	590-03006-200-1	
FIX NEUTRIK*4	590-03010-200-0	M/E FLT SCR. M3.0*10 BLK
FIX HEAT SINK*4 BOT COV&PCB*13	590-33008-100-0	M/E RUD SCR M3.0*8 NI
FIX BACK FAN&FAN COV.&BACK PANEL*4	590-43032-100-0	M/E PAN SCR.M3.0*32 NI
FIX PANEL&HEADLE*4 BOT COV&HEAT SINK*6	590-44008-200-0	M/E PAN SCR. M4.0*8 BLK
GND SCRERW	590-44010-200-0	M/E PAN SCR M4*10 BLK
TOP COV&BOP COV*6 TOP COV&PANEL*2 TOP COV&BACK PANEL*2	590-53006-200-0	M/E SET SCR. M3.0*6 BLK
FIX COMBO*4	591-03008-200-0	T/P FLT SCR. D3.0*8 BLK
FIX FEET*4	591-54010-200-0	T/P SET SCR. D4.0*10 BLK
FIX XLR*4	600-00302-210-0	HEX. NUT M3.0*2.2 NI
GND	600-00403-510-0	HEX. NUT M4.0*3.5 NI
GND CU	600-00602-010-0	HEX. NUT M6.0*2.0 NI
	610-00300-516-0	FIBER WAS. D3*D8*0.5 RED
FAN NET	610-00408-001-0	PLA. WAS. D4.0*8.0*1.0 NI
	610-20901-001-0	TOOTH WAS D9*12*1 NI
	610-30300-501-0	TOOTH WAS. D3.0*D6.5*0.5 NI

**MISCELLANEOUS CLASSIFICATION ITEMS**

<b>Ref.</b>	<b>Phonic Part No.</b>	<b>Specification</b>
GND	610-30400-501-0	TOOTH WAS. D4.0*D8.5*0.5 NI
GND LUG	610-60401-001-0	PAN SPR. WAS. D4*7.6*1.0 NI
GND CU	615-10001-130-0	EARTH BOSS 2+5 NI
	615-10002-130-0	EARTH BOSS 10+5 NI (EARTH BOSS)
SELECTIVE VOLTAGE	618-14180-662-0	SPEC FIXED PIN SR-2 WHT
	619-06380-320-0	PLA RIVET SR-3L BLACK
	510-21000-402-F	PANEL MAX2500
	511-20680-101-F	BACK PANEL MAX2500
	516-20440-100-F	TOP COV. MAX860/1500/2500
	517-20600-100-F	BOT COV. MAX860/1500/2500
	551-20074-300-F	FIXED R/BRKT MAX860/1500/2500
	551-60055-300-F	FIXED L/BRKT MAX860/1500/2500

**POWER REQUIREMENT CLASSIFICATION**

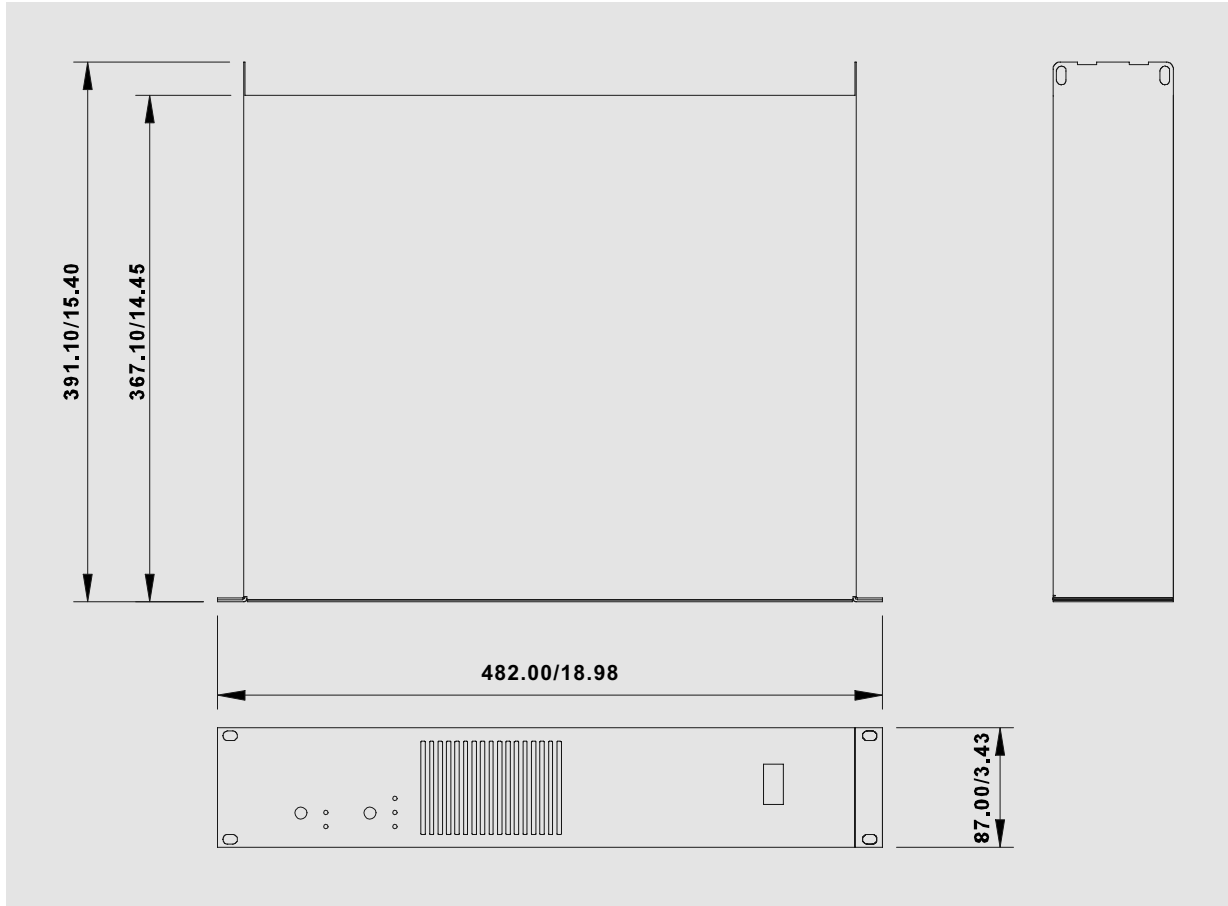
<b>Ref.</b>	<b>Phonic Part No.</b>	<b>Specification</b>
<b><u>BS</u></b>		
FUSE2.3	070-20588-800-0	X'MER 115/230V MAX2500
	280-1538B-000-0	FUSE 15A 250V UL/CSA/JIS S
	280-20263-000-0	FUSE T2A 250V VDE S
	370-26640-432-6	P/CORD 250V/15A 2.5M 3P BS
	527-11000-000-0	STR.REL BUSHING 6W3-4 R (6N3-4 )
	573-10032-010-0	POWER LABEL (ONLY USED IN BS)
<b><u>JIS</u></b>		
	070-20580-600-0	X'MER 100V JIS MAX2500
	280-2026B-000-0	FUSE 2A 250V UL/CSA/JIS S
	280-2538B-000-0	FUSE 25A 250V S UL/CSA/JIS
	370-24810-602-0	P/CORD 125V/15A 2.0MM/2P 2.5M JIS
	527-11000-000-0	STR.REL BUSHING 6W3-4 R (6N3-4)
<b><u>SA</u></b>		
	070-20588-800-0	X'MER 115/230V MAX2500
	280-1538B-000-0	FUSE 15A 250V UL/CSA/JIS S
	280-20263-000-0	FUSE T2A 250V VDE S
	370-15020-829-0	P/CORD 15A/250V 1.0MM*3 6F 3P
	527-11000-000-0	STR.REL BUSHING 6W3-4 R (6N3-4)
<b><u>IEC</u></b>		
	070-20588-800-0	X'MER 115/230V MAX2500
	280-1538B-000-0	FUSE 15A 250V UL/CSA/JIS S
	280-20263-000-0	FUSE T2A 250V VDE S
	370-23610-902-0	P/CORD 230V 15A 2.5M3P
	527-11000-000-0	STR.REL BUSHING 6W3-4 R (6N3-4)



## IC LIST

<b>Ref.</b>	<b>Phonic</b>	<b>Specifications</b>	<b>Supplier</b>
IC2.3.4.5	160-00007-500-0	IC NJM 2068D JRC	<a href="http://www.njr.com">http://www.njr.com</a>
IC201	160-00021-900-0	IC NJM5534D JRC	<a href="http://www.njr.com">http://www.njr.com</a>
IC2	160-00002-909-0	IC 7915	<a href="http://www.onsemi.com/home">http://www.onsemi.com/home</a>
IC1	160-00005-909-0	IC 7815	<a href="http://www.onsemi.com/home">http://www.onsemi.com/home</a>
IC301	160-00021-900-0	IC NJM5534D JRC	<a href="http://www.njr.com">http://www.njr.com</a>
IC1	160-00007-500-0	IC NJM 2068D JRC	<a href="http://www.njr.com">http://www.njr.com</a>

DIMENSIONS



DIMENSIONS ARE SHOWN IN MM/INCH.

**PHONIC**  
WWW.PHONIC.COM