

## PRODUCT DESCRIPTION

Qt® Emitters are the backbone of the QtPro™ sound masking system. Qt Emitters are wide dispersion (nearly 180 degrees) direct field speakers with 1.25" (3.17 cm) drivers and are smaller than a coffee mug. Emitters have DIP switches that allow their volume to be reduced 9 dB in 3 dB decrements. Emitters deliver four uncorrelated audio channels, automatically eliminating phasing. Emitters are plenum-rated, UL-listed, and comply with UL 2043. Each Emitter comes standard with a slip-ring mount for acoustical tile mounting. These features, along with plug and play installation and easy configuration capability, make QtPro systems the most intelligently engineered and most effective sound masking systems on the market today.



## FEATURES

- Wide dispersion direct field speakers with 1.25" (3.17 cm) drivers
- Small driver size results in nearly 180 degree dispersion of direct field sound masking
- Plug and play installation and easy configuration
- Reduces acoustical interference by using four uncorrelated channels
- DIP switches attenuate the volume level up to 9 dB in 3 dB decrements for easy microzoning
- Plenum rated, UL-listed and complies with UL 2043
- Comes standard with slip ring for acoustical tile mounting

## TECHNICAL SPECIFICATIONS

*Sound Masking Frequency Response:	200 Hz - 6,300 Hz
*Music / Paging Frequency Response:	200 Hz - 10,000 Hz (-10 dB)
**1Masking Min - Max SPL:	30 dBA - 60 dBA @ 1 meter
**2Music / Paging Max SPL:	62 dBA @ 1 meter
Nominal Impedance:	3600 Ω
Nominal Dispersion:	170 degrees conical / half space
Connections:	Input / Output - RJ45 Modular Jack
Channel Selection:	Four Channel Auto Sequencing and Repeating
Selectable Attenuation:	0 dB, -3 dB, -6 dB, -9 dB
Cabling:	Category UTP Cabling (8 conductor)
Included Accessories:	Acoustic Ceiling Tile Mounting Ring - UTP Cable (16ft/30ft)
Loudspeaker Type:	Passive w/ Transformer
Maximum Power Consumption:	.02 Watts
Driver Diameter:	1.25" (3.2 cm)
Enclosure:	Sealed
Color:	White (Optional Black Caps and Accessories)
Height:	2.5" (6.4cm)
Diameter:	3.25" (8.3cm)
Weight:	5.6 oz. (159 g)
Certifications:	UL 2043
SKU:	E-A-W-16-4 (4 Pack of White Emitters with 4 x 16ft Cables) <sup>3</sup> E-A-B-16-4 (4 Pack of Black Emitters with 4 x 16ft Cables) E-A-W-30-4 (4 Pack of White Emitters with 4 x 30ft Cables) <sup>3</sup> E-A-B-30-4 (4 Pack of Black Emitters with 4 x 30ft Cables)

\* Specifications based on emitter array using published layout practices in conjunction with Qt Control Processor.

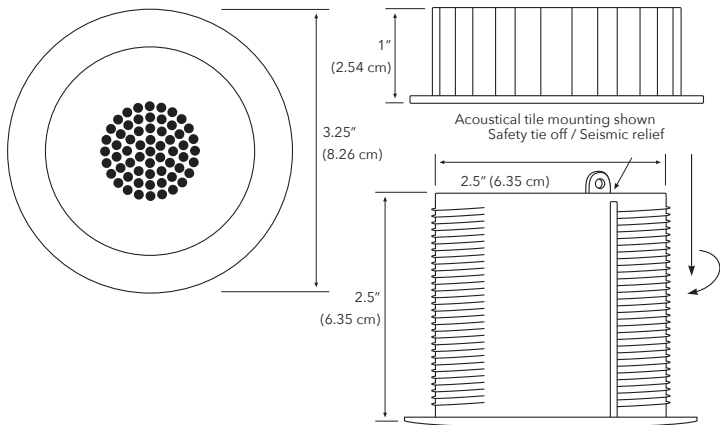
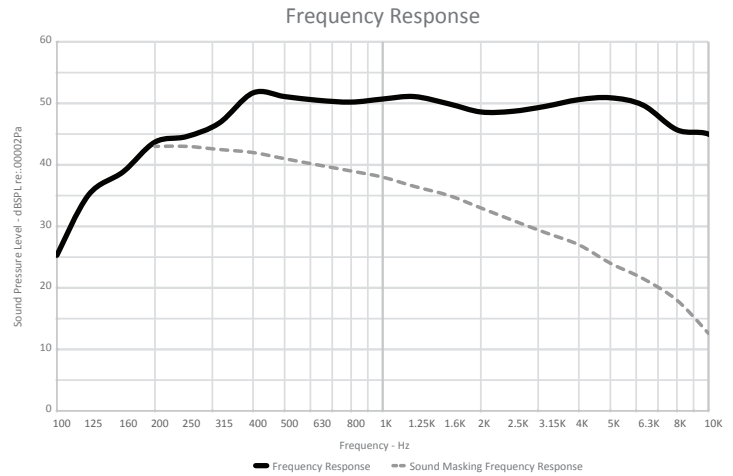
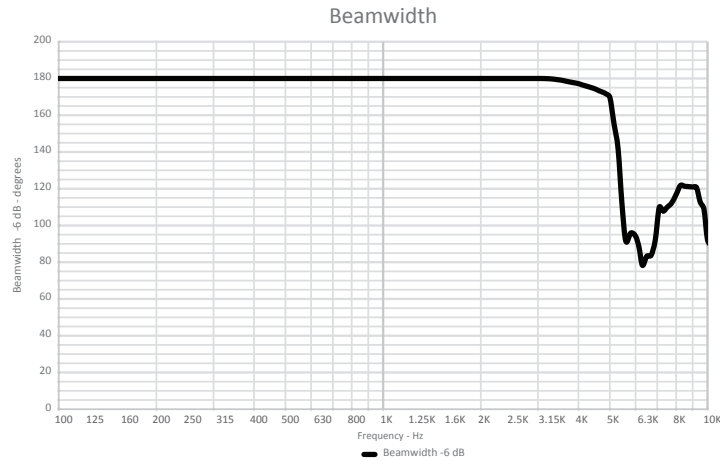
1 Bridge Mode Cable will increase Masking Min - Max SPL by + 3 dB from levels indicated.

2 Bridge Mode Cable will increase Music / Paging Max SPL by + 6 dB from levels indicated.

3 For black emitters, CSM ships white emitters with the appropriate color cap.

## ARCHITECTURAL SPECIFICATIONS

The emitter shall consist of a single 1.25" (3.17 cm) full range transducer installed in a sealed airtight enclosure. The enclosure and grill shall be one piece with material meeting UL Standard 2043 requirements for heat and smoke release in accordance with the provisions of the following codes: National Electric Code, NFPA 70; International Mechanical Code, NFPA 5000; Standard for the Installation of Air Conditioning and Ventilating Systems, and NFPA 90A. The emitter shall be provided with internal logic to automatically sequence 4 channels of mutually incoherent masking sound generators when connected with standard CAT type cables. Input and output receptacles shall be standard RJ45 quick connect network type with positive locking. A twist-and-lock mounting ring shall be provided for quick and secure mounting in ceiling materials. The enclosure shall provide a secondary attachment for a security cable where required by local authorities.



## OPTIONAL ACCESSORIES

<b>Universal Bracket:</b>	SKU# UB-(B=Black / W=White)
<b>Drywall Mount:</b>	SKU# DM
<b>Beam Bracket:</b>	SKU# BB-(B=Black / W=White)
<b>Drywall Conduit Mount:</b>	SKU# CM
<b>Plenum Back Can:</b>	SKU# PB
<b>Emitter Cap (Black):</b>	SKU# EC-B
<b>Emitter Cap (White - Paintable):</b>	SKU# EC-W
<b>Room Control:</b>	SKU# QT-RC2