

Spec Sheet

SIGMA S215

Quasi 3-Way Active Speaker
2x15"/1.4", 1400W PRG **digipro G2**



Applications

- Sound reinforcement systems
- Band and vocal PA
- DJ PA systems
- Small to medium size venue Main PA

Features

- Quasi 3-Way Active Speaker
- 1400W PRG / 2800W Peak Class-D Digipro® G2 amp
- 60° x 40° directivity with rotatable horn
- 2x15" woofer, 3" voice coil
- 1.4" compression driver, 2.84" voice coil
- 24 bit \ 48 kHz DSP with 2 presets
- Dual Active Peak, RMS, Thermal limiter
- Reinforced multiplex housing with H.E.T™ coating

Description

SIGMA active loudspeakers series is the perfect answer to the needs of those musicians, bands and DJs who need reliable audio systems that sets up in a flash, are easily tweaked without a lot of fuss and are able to operate at high levels for hours on end.

SIGMA S215 is a quasi three-way active speaker equipped with a 1400W PRG / 2800W Peak power Class-D Digipro® G2 power amp module. It is a two-way system electrically, in the sense that is bi-amped (the two woofers are in parallel), but mechanically it is a three-way system through the phase plug in front of the upper woofer. This phase plug avoids the vertical phase modulation that usually takes place in this type of configuration and ensures a precise horizontal coverage of the medium frequencies.

Loaded with two 15" woofers (3" voice coil)

designed to handle considerable loads, the S215 is the solution in those venues where a high SPL and low-ranging response are needed. Of course the S215 keeps the same prominent top end and the constant directivity at high sound pressure level of the sister S115, thanks to the 1.4" compression driver (2.84" voice coil) on the 60°x40° rotatable CD-horn. The speaker's horizontal directivity is 60° by default factory setting.

As already said, the SIGMA S215 is equipped with a Digipro® G2 class-D digital amplifier. Its switched-mode power supply ensures greater stability in performance and total reliability. Moreover, because of the high efficiency of this module, while delivering a high amount of power it dissipates very little heat, so that it does not require a fan.

The integrated DSP allows the final touches to be made to the sound, rounding it out to a warm, natural tone with powerful bass and sparkling high frequencies. The processor controls the audio crossover of the acoustic components, frequency response, limiter, and acoustic phase alignment.

A switch in the rear panel allows the user to select one of the two EQ presets, "FLAT" and "BOOST", to assure high versatility for different applications. In addition, there are the XLR balanced audio input and link output, a balanced ¼" jack connector, which acts as audio input or link output, a Line/Mic input sensitivity switch, a volume knob and a group of three LEDs – READY, SIGNAL and LIMITER – that indicate, respectively, the speaker normal operating conditions, the presence of audio signal (at a medium level of -20dB) and the intervention of the internal limiter circuit.

The housing is made with the innovative technology named H.E.T™ (Hybrid Enclose Technology), which combines different materials in order to obtain exceptionally light and remarkably rugged housings. The box is made in light multilayer wood, with a hardwearing, durable, and scratch-resistant PVC coating. Tough, rugged plastic side panels provide excellent protection that makes this loudspeaker extremely durable.

SIGMA S215

Technical Specifications

System Specifications

Speaker Type	Qesi 3-Way Active Speaker
--------------	---------------------------

Acoustical Data

Frequency Response	[+/- 3dB] [- 10dB]	49 - 19,000Hz 42 - 20,000 Hz
Max SPL		139 dB
HF		1.4"
Type HF		Titanium Compression driver
Voice Coil HF		2.84"
Directivity		60 x 40°
Horn		CD Horn
Rotable Horn		Yes
LF		2 x 15" (with phase plug)
Voice Coil LF		3"

Amplifier

Amp Technology	Digipro® G2
Amp Class	Class D
Power PRG	1400 W
Peak Power	2800 W

Processor

Controller	DSP 24bit/48kHz
System Presets	Flat, Boost
Limiter	Dual Active Peak, RMS, Thermal
Crossover Frequency MF-HF	1100 Hz
Slope MF-HF	24 dB/Octave

Rear Panel

Audio Input / Link	1 x XLR female - balanced / 1 x XLR male - balanced 1 x jack 1/4" - balanced
Power Connections	Powercon® (in and out)
Controls	1 x EQ Preset switch 1 x Volume knob 1 x Mic/Line Input sensitivity switch 3 x LED (Limiter, Signal, Ready)

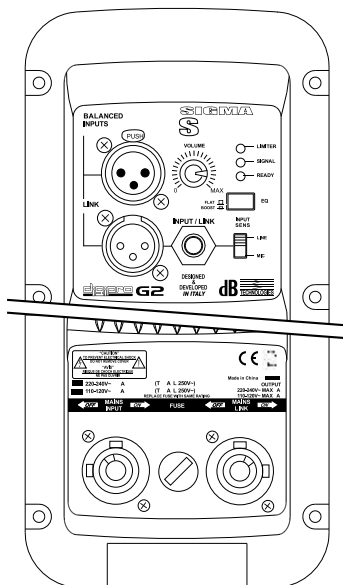
Mechanics

Housing	Multiplex with H.E.T coating, reinforced
Housing Shape	Trapezoidal
Handle	4, two per side
Dimensions (WxHxD)	509 x 1215 x 533 mm - 20.04 x 47.83 x 20.98 in
Weight	50 kg - 110.23 lbs.

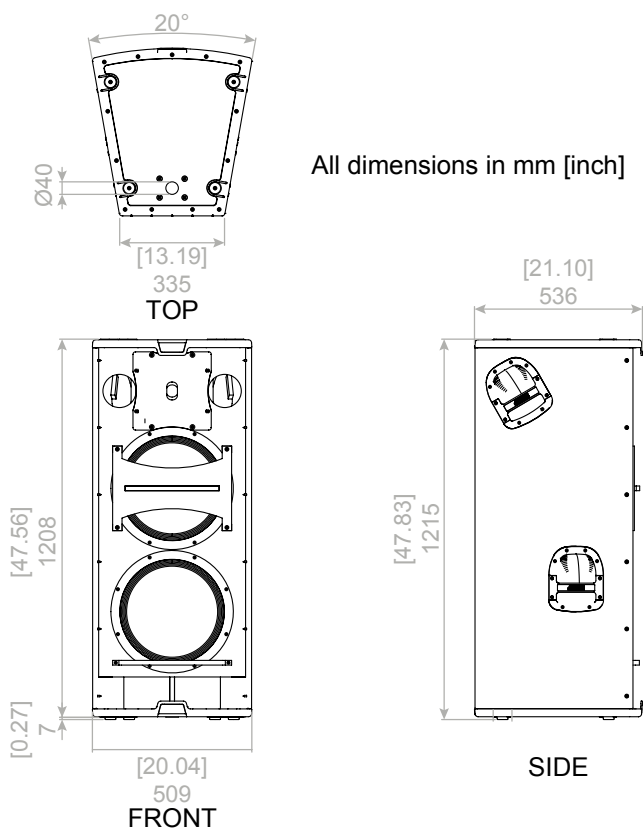
SIGMA S215

Technical Specifications

Rear Panel



Overall Dimensions



Accessories

AFL 05 Powercon-Powercon link cable. 1,5m length

info@dbtechnologies.com www.dbtechnologies.com

dBTechnologies products are continually improved. All specifications are therefore subject to change without notice.