

TYPICAL FREQUENCY RESPONSE
FIGURE 1

GENERAL

The Shure Model SM11 is a miniature dynamic lavalier microphone designed for use in television broadcasting (on camera), for sound reinforcement, in certain radio and motion picture applications, and similar uses where a small, professional-quality, microphone is required. The SM11 has an omnidirectional pickup pattern, and its frequency response is optimized for lavalier use. The microphone is supplied with a tie clasp assembly, tie tack assembly, connector belt clip, and zippered carrying/storage bag. An optional kit for mounting the SM11 on various musical instruments is available as Shure Model RK279.

Features

- Frequency response optimized for lavalier use. Acoustically matches most stand- or desk-mounted microphones
- Small and lightweight for unobtrusive, virtually unseen operation
- Smooth exterior and recessed grille screen minimize clothing noise
- Rugged aluminum case construction
- Extremely flexible long-life cable
- Two mounting options—tie clasp or tie tack
- Convenient, secure belt clip attaches connector to belt or clothing

SPECIFICATIONS

Type

Dynamic

Frequency Response

50 to 15,000 Hz (see Figure 1)

Polar Pattern

Omnidirectional

Impedance

Microphone rating impedance is 150 ohms (200 ohms actual) for connection to microphone inputs rated at 19 to 300 ohms

Output Level (at 1,000 Hz)

Open Circuit Voltage..... -64 dBV/Pa (0.60 mV)
(1 Pa = 94 dB SPL)

Polarity

Positive pressure on diaphragm produces positive voltage on pin 2 with respect to pin 3

Hum Pickup

35 dB equivalent SPL in a 1 millioersted field

Cable

Non-detachable, 1.2 m (48 in.), two-conductor, shielded, plastic-covered

Connector

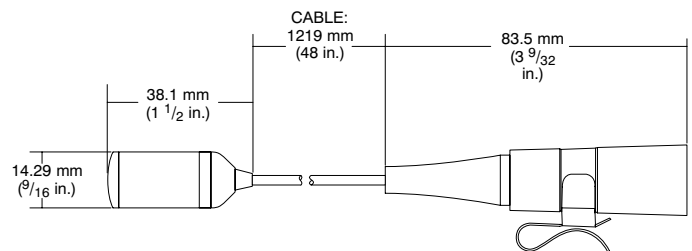
Professional three-pin audio (XLR).

Case

Aluminum with gray enamel finish

Dimensions

See Figure 2



OVERALL DIMENSIONS
FIGURE 2

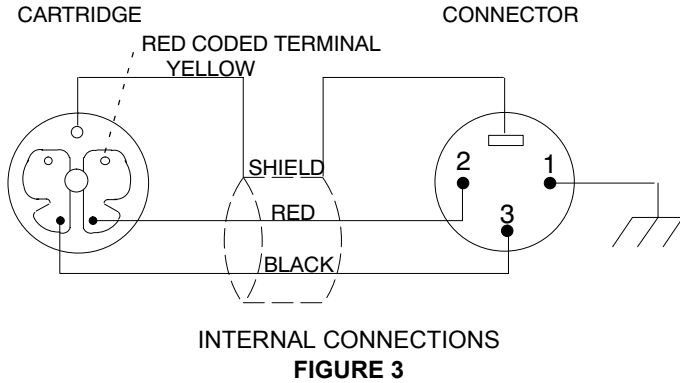


Net Weight

7.9 grams (0.28 oz), less cable and connector

CERTIFICATION

Eligible to bear CE Marking. Conforms to European EMC Directive 89/336/EEC. Meets applicable tests and performance criteria in European Standard EN55103 (1996) parts 1 and 2, for residential (E1) and light industrial (E2) environments.



INSTALLATION

Tie Clasp Assembly

Insert the SM11 in the tie clasp and anchor the cable as shown in Figure 4. Affix the clasp to a tie, shirt, or blouse. Note that the microphone can be swiveled 360° in its holder for left, right, or vertical ("pen clip") use.



CABLE ANCHORING
FIGURE 4

Tie Tack Assembly

Remove the clutch from the tie tack assembly and insert the tie tack holder in the tie (or through the tie and shirt if desired). Affix the clutch to the pin of the tie tack holder. Insert the SM11 in the tie tack holder.

Connector and Belt Clip

With the SM11 installed in one of the assemblies described above, insert the connector in the connector belt clip and fasten the belt clip to the user's belt, waistband or other clothing. Excess microphone cable can be inserted in the user's pocket or tucked into the waistband.

ARCHITECTS' SPECIFICATIONS

The microphone shall be a moving-coil (dynamic) type with a frequency response of 50 to 15,000 Hz. The microphone shall have an omnidirectional polar characteristic. The microphone shall be low impedance with a rated impedance of 150 ohms for connection to microphone inputs rated at 19 to 300 ohms. The microphone output shall be -64 dB where 0 dB = 1 milliwatt per 10 microbars.

The microphone shall be a lavalier type, and shall be provided with a 1.2m (48 in.) non-detachable, two-conductor, shielded cable with a professional, three-pin audio connector designed to mate with Cannon XL series, Switchcraft A3 (Q.G.) series or equivalent connectors. The microphone shall also be provided with a tie clasp assembly, tie tack assembly, connector belt clip, and carrying/storage bag.

The overall dimensions of the microphone shall be 33.5 mm (1 - 5/16 in.) in length and 14.7 mm (9/16 in.) in diameter.

The microphone shall be the Shure Model SM11 or equivalent.

ACCESSORIES AND REPLACEMENT PARTS

The following furnished accessories and replacement parts can be ordered through your Authorized Shure Professional Products Dealer or from Shure Incorporated.

Tie Clasp Assembly	RK203TC
Tie Tack Assembly	90A2384
Connector Belt Clip	RK200BC
Carrying/Storage Bag	26A13
Cartridge	R99
Cable	C91
Instrument Mounting Kit	RK279

For additional service or parts information, please contact Shure's Service Department at 1-800-516-2525. Outside the United States, please contact your authorized Shure Service Center.

SHURE®

SHURE Incorporated <http://www.shure.com>
United States, Canada, Latin America, Caribbean:
5800 W. Touhy Avenue, Niles, IL 60714-4608, U.S.A.
Phone: 847-600-2000 U.S. Fax: 847-600-1212 Intl Fax: 847-600-6446
Europe, Middle East, Africa:
Shure Europe GmbH, Phone: 49-7131-72140 Fax: 49-7131-721414
Asia, Pacific:
Shure Asia Limited, Phone: 852-2893-4290 Fax: 852-2893-4055