

# SHURE®

LEGENDARY  
PERFORMANCE™

Wired Microphones

PG | SM | Beta | KSM

# SM WIRED MICROPHONES

**INDUSTRY STANDARD. PROFESSIONAL UTILITY.**

Shure SM Microphones deliver an unparalleled mix of audio quality and rugged dependability that has made them the industry standard in professional sound for over 40 years. Built to withstand the rigors of regular stage and studio use, SM microphones are the cornerstone of a complete family of Shure wired microphones tailored to meet any audio need.



## APPLICATIONS

Touring

Club Performance

Studio Recording

General Sound  
Reinforcement

## PRODUCT HIGHLIGHTS

Industry standard,  
professional utility

Industry-defining sound

Rock-solid construction

Dynamic and condenser  
models

# SM7B Cardioid Dynamic Microphone

## Overview

The SM7B is a selectable frequency response microphone that delivers warm and smooth audio in close-proximity studio and vocal applications. Optimized shielding from external electromagnetic hum, along with internal shock mounting, external windscreens and adjustable bass roll-off and mid-range emphasis response settings provide clean, consistent reproduction.

## Features

- Flat, wide-range frequency response for exceptionally clean and natural reproduction of both music and speech
- Bass rolloff and mid-range emphasis (presence boost) controls with graphic display of response setting
- Improved rejection of electromagnetic hum, optimized for shielding against broadband interference emitted by computer monitors
- Internal "air suspension" shock isolation virtually eliminates mechanical noise transmission
- Highly effective pop filter eliminates need for any add-on protection against explosive breath sounds, even for close-up vocals or narration
- Now shipping with the A7WS detachable windscreen, designed to reduce plosive sounds and gives a warmer tone for close-talk vocals
- Yoke mounting with captive stand nut for easy mounting and dismounting provides precise control of microphone position
- Classic cardioid polar pattern, uniform with frequency and symmetrical about axis, to provide maximum rejection and minimum coloration of off-axis sound
- Rugged construction and excellent cartridge protection for outstanding reliability



SM7B

## Available Models

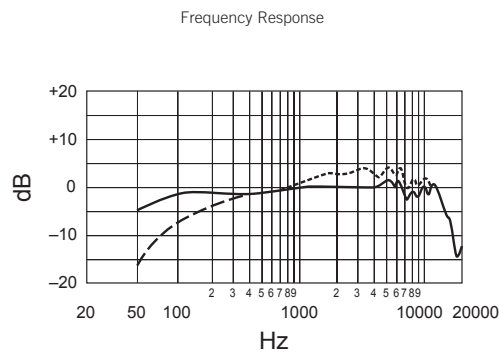
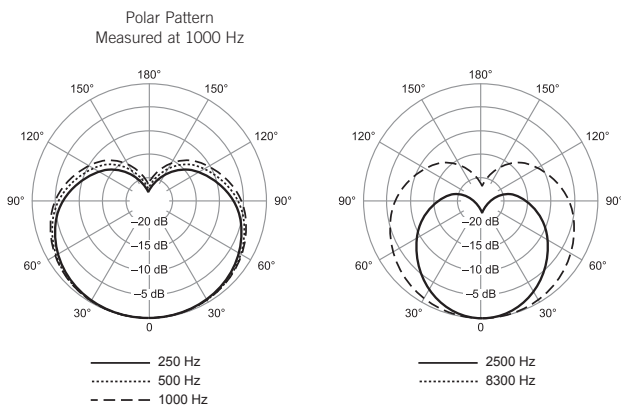
<b>SM7B</b>	Includes foam windscreen, close-talk windscreen, and locking yoke mount.
-------------	--

## Specifications

<b>Type</b>	Dynamic
<b>Frequency Response</b>	50 to 20,000 Hz
<b>Polar Pattern</b>	Cardioid
<b>Electromagnetic Hum Sensitivity</b> (Typical, Equivalent SPL/milliOersted)	60 Hz: 11 dB 500 Hz: 24 dB 1 kHz: 33 dB
<b>Impedance</b>	150 Ω for connection to microphone inputs rated at 19 to 300 Ω
<b>Output Level</b> (at 1,000 Hz)	Open circuit voltage: -59.0 dB (1.12 mV) 0 dB = 1 volt per Pascal
<b>Switches</b>	Bass rolloff and mid-range emphasis: Slotted response selector switches
<b>Cartridge Shock Mount</b>	Internal air-suspension shock and vibration isolator
<b>Microphone Connector</b>	Three-pin professional audio (XLR)
<b>Swivel Assembly</b>	Integrated, captive nut for ease of attachment to stand, fits 5/8 in.-27 thread
<b>Polarity</b>	Positive pressure on diaphragm produces positive voltage on pin 2 relative to pin 3
<b>Case</b>	Dark gray enamel aluminum and steel case with dark gray foam windscreen
<b>Weight</b>	765.4

## Optional Accessories and Replacement Parts

<b>A7WS</b>	Large close-talk windscreen	<b>RPM106</b>	Replacement cartridge	<b>537A</b>	Desk stand
<b>RK345</b>	Microphone windscreen				



**SHURE**<sup>®</sup>  
LEGENDARY  
PERFORMANCE™

# SM27 Cardioid Condenser Microphone

## Overview

The SM27 is a rugged and versatile large-diaphragm, side-address cardioid condenser microphone, with low self-noise and extended frequency response that picks up vocal and instrument nuances with clarity. Durable Shure construction features three separate mesh layers that reduce wind and breath noise. Equally comfortable on stage or in the studio.

## Features

- Cardioid polar pattern – the most commonly used pattern for both studio and live applications
- 1 inch, externally biased, ultra-thin, 2.5  $\mu\text{m}$ , 24 Karat gold-layered, low mass, Mylar<sup>®</sup> diaphragm provides superior transient response
- Class A, discrete, transformerless preamplifier for transparency, extremely fast transient response and no crossover distortion, while minimizing harmonic and intermodulation distortions
- Premium electronic components and gold-plated internal and external connectors
- Subsonic filter eliminates rumble from mechanical vibration below 17 Hz
- Switchable 15 dB pad for handling extremely high sound pressure levels (SPLs)
- 3-position switchable low-frequency filter helps reduce unwanted background noise or counteract proximity effect
- Integrated three-stage pop protection grille reduces plosives and other breath noise
- Internal shock mount reduces handling and stand noise

## Available Models

SM27	Includes stand adapter and zippered pouch
------	---



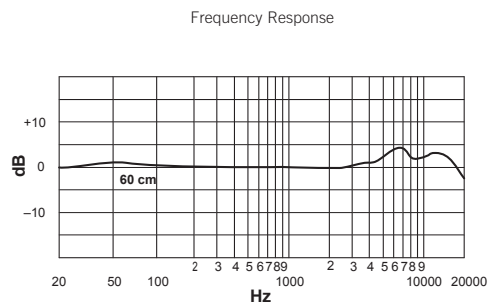
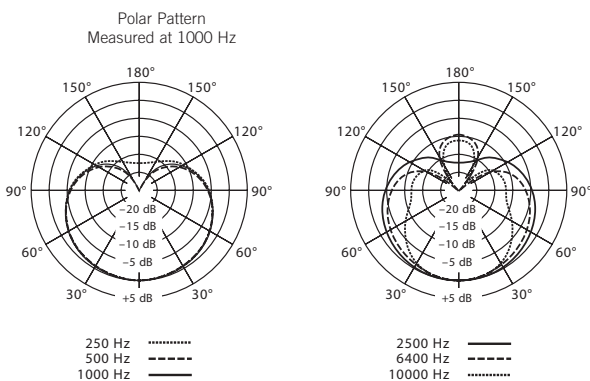
SM27

## Specifications

<b>Type</b>	Condenser (externally biased)
<b>Frequency Response</b>	20 to 20,000 Hz
<b>Polar Pattern</b>	Cardioid
<b>Impedance</b>	150 $\Omega$ (140 $\Omega$ actual)
<b>Sensitivity</b> (at 1 kHz, Open circuit voltage)	-37 dBV/Pa 1 Pascal=94 dB SPL
<b>Maximum SPL</b> (1 kHz at 1% THD)	1000 $\Omega$ load: 133 dB (147 dB, Pad on) 2500 $\Omega$ load: 138 dB (152 dB, Pad on)
<b>Signal-to-Noise Ratio</b> (referenced at 94 dB SPL at 1 kHz)	84.5 dB S/N ratio is difference between 94 dB SPL and equivalent SPL of self noise, A-weighted
<b>Dynamic Range</b> (at 1 kHz)	1000 $\Omega$ load: 123 dB 2500 $\Omega$ load: 128 dB
<b>Common Mode Rejection</b> (20 Hz to 20 kHz)	> 50 dB
<b>Clipping Level</b> (20Hz-20 kHz at 1% THD)	1000 $\Omega$ load: 1 dBV 2500 $\Omega$ load: 7 dBV THD of microphone preamplifier when applied input signal is equivalent to cartridge output at specified SPL
<b>Self Noise</b> (typical, equivalent SPL, A-weighted)	9.5 dB
<b>Polarity</b>	Positive pressure on diaphragm produces positive voltage on pin 2 with respect to pin 3
<b>Weight</b>	642 g
<b>Switch</b>	Attenuator: -15 dB Low frequency response: flat; -6 dB/octave below 115 Hz; -18 dB/octave below 80 Hz
<b>Connector</b>	Three-pin professional audio (XLR), male
<b>Power Requirements</b>	48 Vdc phantom, 5.4 mA

## Optional Accessories and Replacement Parts

<b>A27SM</b>	Shure lock <sup>™</sup> rubber isolated shock mount	<b>A322B</b>	Zippered pouch	<b>A32WS</b>	Windscreen
<b>RPM642</b>	Replacement rubber rings for shock mount (contains four)	<b>PS6</b>	Popper stopper <sup>™</sup>		



**SHURE**<sup>®</sup>  
LEGENDARY  
PERFORMANCE<sup>™</sup>

# SM48 Cardioid Dynamic Microphone

## Overview

The SM48 is a rugged cardioid dynamic microphone with great sound and durable construction for reliable use in spoken word and karaoke vocal performance applications. Available with or without an on/off switch, and comes with a swivel adapter and carrying pouch for many of the benefits of the SM58® at an affordable price.

## Features

- Cardioid pickup pattern rejects off-axis sound and provides superior gain before feedback
- Frequency response tailored for vocals, with brightened midrange and bass rolloff to control proximity effect
- Shock-mounted cartridge for exceptional ruggedness and reduced handling noise
- Built-in pop filter that reduces explosive breath sounds and wind noise
- Supplied stand adapter and carrying/storage bag
- Lockable on/off switch (SM48S only)
- Legendary Shure quality and ruggedness



SM48

## Available Models

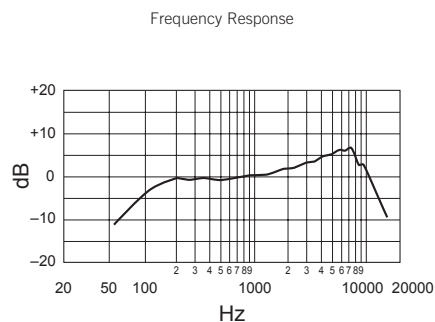
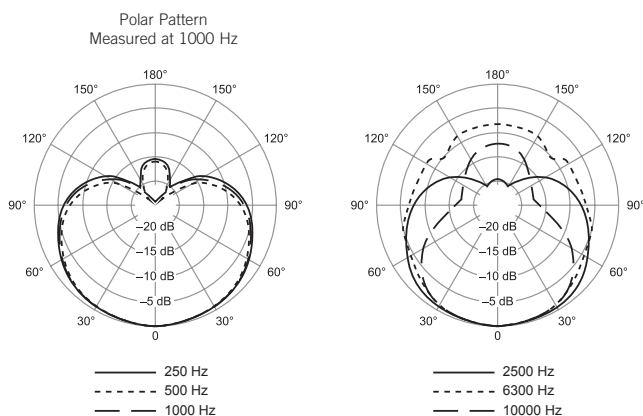
<b>SM48</b>	Includes stand adapter and zippered pouch
<b>SM48S</b>	With lockable on/off switch. Includes swivel adapter and a zippered pouch

## Specifications

<b>Type</b>	Dynamic
<b>Frequency Response</b>	55 to 14,000 Hz
<b>Polar Pattern</b>	Cardioid
<b>Impedance</b>	Microphone rating impedance is 150 Ω (270 Ω actual) for connection to microphone inputs rated at 19 to 300 Ω
<b>Output Level (at 1,000 Hz)</b>	Open circuit voltage: *-57.5 dBV/Pa (1.3 mV) *1 Pa = 94 dB SPL
<b>Polarity</b>	Positive pressure on diaphragm produces positive voltage on pin 2 with respect to pin 3
<b>Connector</b>	Three-pin professional audio (XLR), male
<b>Weight</b>	370 g
<b>Dimensions</b>	166 mm L x 54.2 mm W

## Optional Accessories and Replacement Parts

<b>A25D</b>	Microphone clip	<b>A55M, A55HM</b>	Isolation mount	<b>C25F</b>	7.6 m cable
<b>A58WS</b>	Windscreens	<b>A26M</b>	Dual mount	<b>RK81S</b>	On/off switch
<b>R136</b>	Cartridge	<b>RK248G</b>	Screen and grille assembly	<b>RK40P</b>	Plug assembly
<b>S37A, S39A</b>	Desk Stand				



**SHURE**<sup>®</sup>  
 LEGENDARY  
 PERFORMANCE™

# SM57 Cardioid Dynamic Microphone

## Overview

An industry-standard, highly versatile cardioid dynamic microphone that can be found onstage and in studios around the world. The ideal choice for sound reinforcement and recording applications, the legendary SM57 is tuned for clean reproduction of amplified and acoustic instruments, targeting the main sound source while minimizing background noise.

## Features

- Frequency response tailored for drums, guitars, and vocals
- Uniform cardioid pickup pattern isolates the main sound source while reducing background noise
- Pneumatic shock-mount system cuts down handling noise
- Extremely durable under the heaviest use
- Supplied break-resistant swivel adapter that rotates 180°
- Legendary Shure quality, ruggedness, and reliability

## Available Models

<b>SM57-LC</b>	Includes stand adapter and zippered pouch
<b>SM57-LCE</b>	Includes 5/8-inch to 3/8-inch thread adapter for mounting on European stands, swivel adapter and a zippered pouch

## Specifications

<b>Type</b>	Dynamic
<b>Frequency Response</b>	40 to 15,000 Hz
<b>Polar Pattern</b>	Cardioid
<b>Sensitivity</b> (at 1,000 Hz Open circuit voltage)	Open circuit voltage: -56.0 dBV/Pa* (1.6 mV) *(1 Pa = 94 dB SPL)
<b>Impedance</b>	Rated impedance is 150 Ω (310 Ω actual) for connection to microphone inputs rated low impedance
<b>Polarity</b>	Positive pressure on diaphragm produces positive voltage on pin 2 with respect to pin 3
<b>Case</b>	Dark gray, enamel-painted, die-cast steel with a polycarbonate grille and a stainless steel screen
<b>Connector</b>	Three-pin professional audio connector (male XLR type)
<b>Weight</b>	284 g
<b>Dimensions</b>	157 mm L x 32 mm W

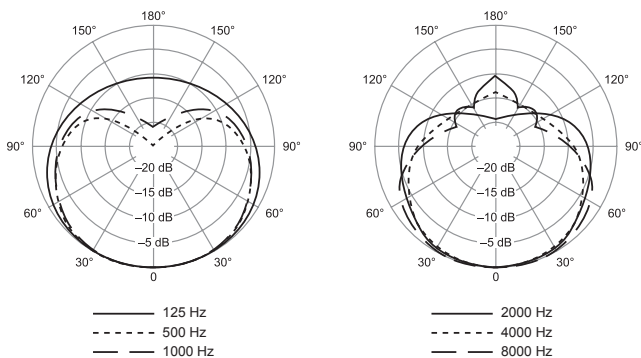


SM57

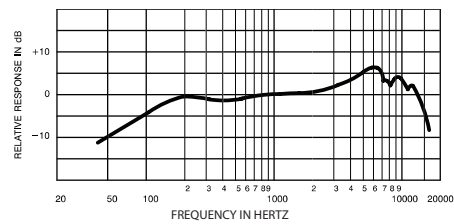
## Optional Accessories and Replacement Parts

<b>A2WS</b>	Locking windscreen	<b>A55M</b>	Isolation mount	<b>C25F</b>	7.6 m cable
<b>A25D</b>	Microphone clip	<b>A26M</b>	Dual mount	<b>RK244G</b>	Screen and grille assembly
<b>R59</b>	Cartridge	<b>S37A, S39A</b>	Desk stand		

Polar Pattern  
Measured at 1000 Hz



Frequency Response



**SHURE**<sup>®</sup>  
LEGENDARY  
PERFORMANCE™

# SM58® Cardioid Dynamic Microphone

## Overview

The legendary SM58® is an industry-standard, highly versatile cardioid dynamic vocal microphone that is consistently the first choice of vocal performers around the globe. Even in extreme conditions, the SM58 is tailored to target the main sound source while minimizing background noise, delivering warm and clear vocal reproduction.

## Features

- Frequency response tailored for vocals, with brightened midrange and bass rolloff
- Uniform cardioid pickup pattern isolates the main sound source and minimizes background noise
- Pneumatic shock-mount system cuts down handling noise
- Effective, built-in spherical wind and pop filter
- Supplied with break-resistant stand adapter which rotates 180 degrees
- Legendary Shure quality, ruggedness and reliability
- Cardioid (unidirectional) dynamic
- Frequency response: 50 to 15,000 Hz

## Available Models

<b>SM58-LC</b>	Includes stand adapter and zippered pouch
<b>SM58-CN</b>	Includes 7.6 m XLR-male to XLR-female cable, swivel adapter and a zippered pouch
<b>SM58S</b>	Includes integrated on/off switch, swivel adapter and a zippered pouch

## Specifications

<b>Type</b>	Dynamic
<b>Frequency Response</b>	50 to 15,000 Hz
<b>Polar Pattern</b>	Cardioid
<b>Sensitivity</b> (at 1,000 Hz Open circuit voltage)	-54.5 dBV/Pa (1.85 mV) 1 Pa = 94 dB SPL
<b>Impedance</b>	Rated impedance is 150 Ω (300 Ω actual) for connection to microphone inputs rated low impedance
<b>Polarity</b>	Positive pressure on diaphragm produces positive voltage on pin 2 with respect to pin 3
<b>Case</b>	Dark gray, enamel-painted, die cast metal; matte-finished, silver colored, spherical steel mesh grille
<b>Connector</b>	Three-pin professional audio connector (male XLR type)
<b>Weight</b>	Net: 298 g
<b>Dimensions</b>	162 mm L x 51 mm W

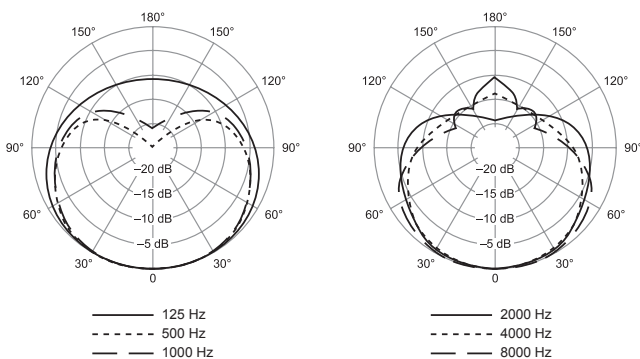


SM58

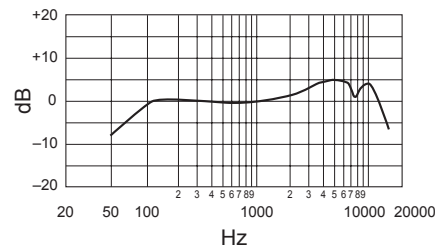
## Optional Accessories and Replacement Parts

<b>A58WS</b>	Windscreen	<b>A55M</b>	Isolation mount	<b>C25F</b>	7.6 m cable
<b>A25D</b>	Microphone clip	<b>A26M</b>	Dual mount	<b>RK143G</b>	Screen and grille
<b>R59</b>	Cartridge	<b>S37A, S39A</b>	Desk stand		

Polar Pattern  
Measured at 1000 Hz



Frequency Response



# SM81 Cardioid Condenser Microphone

## Overview

The legendary SM81 is an industry-standard, flat-response cardioid condenser microphone, featuring a wide frequency response and low self-noise. Highly versatile, the SM81's renowned sonic accuracy is a constant choice around the world for acoustic stage and studio performance, including guitar, piano and drum overhead applications.

## Features

- 20 Hz to 20 kHz frequency response
- Flat response curve for accurate reproduction of sound sources
- Low noise and high output clipping level
- Low distortion over a wide range of load impedances
- Cardioid polar pattern, uniform with frequency and symmetric about axis, providing maximum rejection and minimum coloration of off-axis sounds
- Low RF susceptibility
- Selectable low-frequency response: flat, 6 or 18 dB/octave rolloff
- 0 dB/10 dB lockable attenuator switch
- Phantom powering (DIN 45 596 voltages of 12 to 48 Vdc)
- Rugged steel construction for durability
- Field-usable over wide range of temperature and humidity conditions



SM81

## Available Models

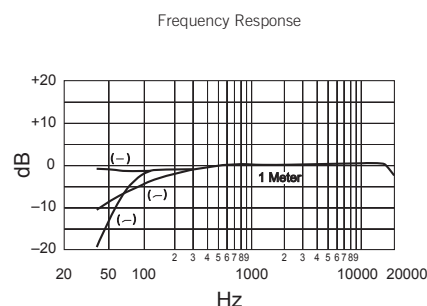
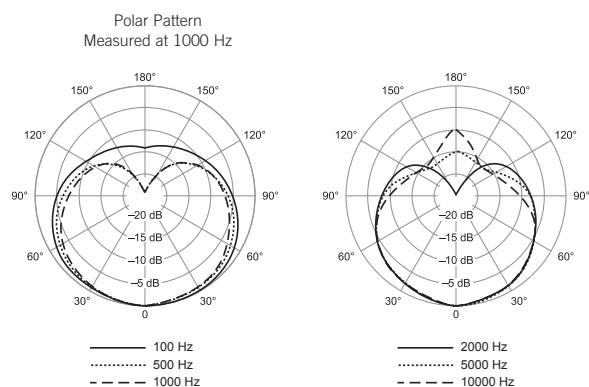
<b>SM81-LC</b>	Includes stand adapter and zippered pouch
----------------	---

## Specifications

<b>Type</b>	Condenser
<b>Frequency Response</b>	20 to 20,000 Hz
<b>Polar Pattern</b>	Cardioid
<b>Sensitivity</b> (at 1,000 Hz)	Open circuit voltage: -45 dBV/Pascal (5.6 mV) (1 Pa = 94 dB SPL)
<b>Impedance</b>	Rated at 150 Ω (85 Ω actual) Recommended minimum load impedance: 800 Ω
<b>Output Clipping Level</b>	800 Ω Load: -4 dBV (0.63 V) 150 Ω Load: -15 dBV (0.18 V)
<b>Maximum SPL</b> (at 1,000 Hz)	800 Ω load: 136 dB (attenuator at 0) 146 dB (attenuator at -10) 150 Ω load: 128 dB (attenuator at 0) 138 dB (attenuator at -10)
<b>Self-Noise</b>	16 dB typical, A-weighted 19 dB typical, weighted per DIN 45 405
<b>Hum Pickup</b>	-3 dB equivalent SPL in a 1 mOe field (60 Hz)
<b>Signal-to-Noise Ratio</b>	78 dB (IEC 651)* at 94 dB SPL S/N ratio is difference between 94 dB SPL and equivalent SPL of self-noise A-weighted
<b>Overvoltage and Reverse Polarity Protection</b>	Max. external voltage applied to pins 2 and 3 with respect to pin 1: +52 Vdc Reverse polarity protection: 200 mA max. (diode-clamped)
<b>Polarity</b>	Positive pressure on diaphragm produces positive voltage on pin 2 relative to pin 3
<b>Power</b>	11 to 52 vdc, 1.2 mA
<b>Case</b>	Steel construction with vinyl metallic paint finish and stainless steel screens
<b>Connector</b>	Three-pin professional audio connector (male XLR type)
<b>Weight</b>	230 g
<b>Dimensions</b>	212 mm L x 23.5 mm W

## Optional Accessories and Replacement Parts

<b>A57F</b>	Microphone clip	<b>A81G</b>	Grille and windscreen	<b>A81WS</b>	Large foam windscreen
-------------	-----------------	-------------	-----------------------	--------------	-----------------------



**SHURE**<sup>®</sup>  
LEGENDARY  
PERFORMANCE™

# SM86 Cardioid Condenser Microphone

## Overview

The SM86 is an award-winning, rugged cardioid condenser microphone with an extended high frequency response. Constructed with a three-point shock mount and a two-stage internal pop filter, the tailored frequency response of the SM86 delivers consistently smooth reproduction of lead vocals, even under the most extreme performance conditions.

## Features

- Condenser cartridge for studio quality sound
- Tailored frequency response for a clear reproduction of vocals
- Rugged construction withstands the rigors of touring sound
- Cardioid polar pattern minimizes unwanted background noise
- Excellent choice for stage monitors and personal monitors
- Built-in three-point shock mount minimizes handling noise
- Two-stage pop filter reduces wind and breath noise

## Available Models

SM86-LC	Includes stand adapter and zippered pouch
---------	---

## Specifications

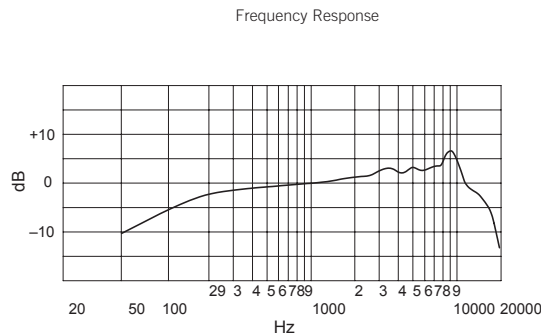
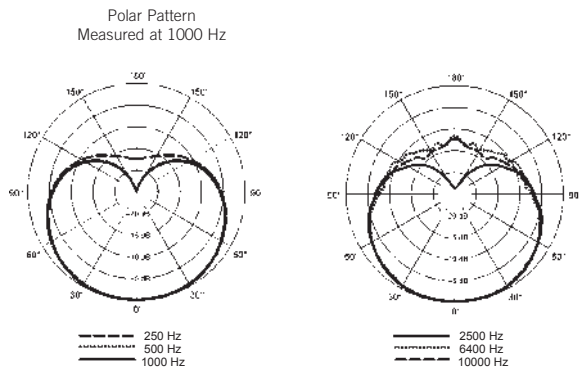
Type	Condenser
Frequency Response	50 to 18,000 Hz
Polar Pattern	Cardioid
Sensitivity (at 1,000 Hz)	Open circuit voltage: -50 dBV/Pa (3.15 mV) (1 Pa = 94 dB SPL)
Impedance	150 Ω at 1 kHz Recommended minimum load impedance: 600 Ω
Output Clipping Level	1000 Ω load at 1,000 Hz: +3 dBV (1.41 V)
Maximum SPL (at 1,000 Hz)	1000 Ω load (1% THD): 147 dB
Self-Noise	23 dB typical, A-weighted
Dynamic Range (1000 Ω)	124 dB (maximum SPL to A-weighted noise level)
Signal-to-Noise Ratio	71 dB at 94 dB SPL (IEC 651)* *S/N ratio is difference between 94 dB SPL and equivalent SPL of self-noise A-weighted
Polarity	Positive pressure on diaphragm produces positive voltage on pin 2 relative to pin 3 of the output connector
Power Requirements	11 to 52 Vdc, 5.2 mA
Case	Dark gray, enamel-painted, die-cast with a stainless steel grille
Connector	Three-pin professional audio connector (male XLR type)
Weight	284 g
Dimensions	183 mm L x 49 mm W



SM86

## Optional Accessories and Replacement Parts

A25D	Microphone clip	A55M	Shock stopper clip	A55HM	Shock stopper half clip
A85WS	Microphone windscreen	RPM226	Replacement grille		





# SM87A Supercardioid Condenser Microphone

## Overview

The SM87A is a rugged, lightweight supercardioid condenser microphone with superior rejection for clear reproduction of warm and accurate lead vocals. Designed with a three-stage shock mount for low self-noise, and a tight polar pattern that excludes unwanted sound sources, the SM87A is an excellent choice for sound reinforcement in noisy or reverberant environments.

## Features

- Highly directional supercardioid pickup pattern
- Controlled low-frequency roll-off
- Very low RF and magnetic hum susceptibility
- Minimally affected by varying load impedance
- Built-in wind and pop filter
- Transducer element shock mounted
- Rugged construction for outstanding reliability
- Field-usable over a wide range of temperature and humidity conditions
- Accepts a wide variety of phantom power sources, including DIN 45 596 voltages of 11 and 52 Vdc

## Available Models

<b>SM87A</b>	Includes stand adapter and zippered pouch
--------------	---

## Specifications

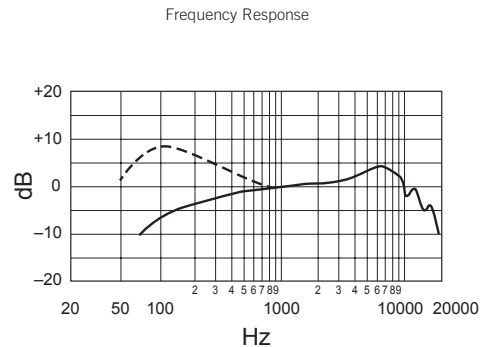
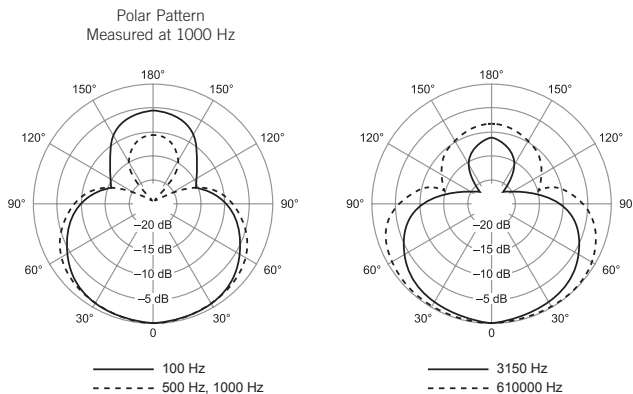
<b>Type</b>	Condenser
<b>Frequency Response</b>	50 to 20,000 Hz
<b>Polar Pattern</b>	Supercardioid
<b>Sensitivity (at 1,000 Hz)</b>	Open circuit voltage: -52.5 dBV/Pa (2.4 mV) (1 Pa = 94 dB SPL)
<b>Impedance</b>	Rated at 150 Ω (100 Ω actual ±20%) Recommended minimum load impedance: 800 Ω
<b>Output Clipping Level</b>	1000 Ω Load at 1,000 Hz: -6 dBV (0.5 V)
<b>Maximum SPL (at 1,000 Hz)</b>	140.5 dB (0.25% THD, 1000 Ω load)
<b>Self-Noise</b>	24 dB typical, A-weighted 26 dB typical, weighted per DIN 45 405
<b>Dynamic Range (1000 Ω)</b>	116.5 dB (maximum SPL to A-weighted noise level)
<b>Signal-to-Noise Ratio</b>	70 dB at 94 dB SPL (IEC 651) S/N ratio is difference between 94 dB SPL and equivalent SPL of self-noise A-weighted
<b>Polarity</b>	Positive pressure on diaphragm produces positive voltage on pin 2 relative to pin 3
<b>Power Requirements</b>	11 to 52 vdc, 1.2 mA
<b>Case</b>	Aluminum construction with steel grille and satin black finish
<b>Connector</b>	Three-pin professional audio connector (male XLR type)
<b>Weight</b>	200 g
<b>Dimensions</b>	192 mm L x 50 mm W



SM87A

## Optional Accessories and Replacement Parts

<b>A25D</b>	Microphone clip	<b>RK128</b>	Replacement cartridge and shock mount	<b>A55M, A55HM</b>	Isolation mount
<b>A85WS</b>	Microphone windscreen	<b>RK214G</b>	Replacement screen and grille		



**SHURE**<sup>®</sup>  
 LEGENDARY  
 PERFORMANCE™

# SM94 Cardioid Condenser Microphone

## Overview

The SM94 is a rugged, versatile flat-response cardioid condenser microphone, designed with a frequency response free of either presence peaks or low-end rollofs, for use with live amplified and acoustic instruments. Additionally, the SM94 can be powered from one AA battery or phantom power, for remote recording applications and environmental conditions.

## Features

- A sensitive mic with a wide, flat response ideal for live amplified and acoustic instruments.
- Extremely well-suited for reproduction of stringed instruments, woodwinds and cymbals
- AA battery or phantom power
- Internal shock mount
- Wide dynamic range
- Smooth, flat frequency response
- Uniform Cardioid condenser
- Frequency response: 40 to 16,000 Hz

## Available Models

SM94	Includes stand adapter and zippered pouch
------	---

## Specifications

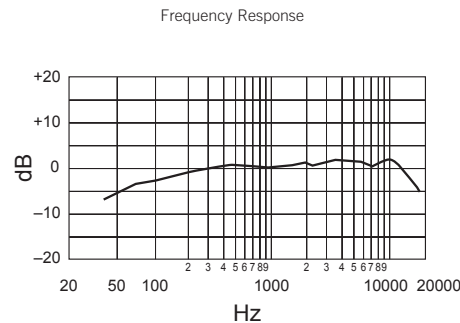
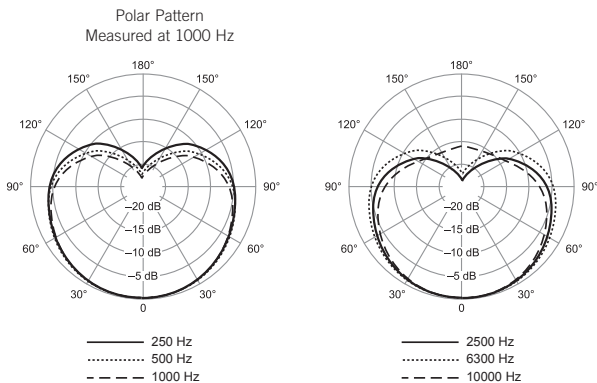
Type	Condenser
Frequency Response	40 to 16,000 Hz
Polar Pattern	Cardioid
Sensitivity (at 1,000 Hz)	Open circuit voltage: -49 dBV/Pa (3.5 mV) (phantom) -50 dBV/Pa (3.2 mV) (battery) (1 Pa = 94dB SPL)
Impedance	Rated at 150 Ω; 200 Ω actual
Output Clipping Level (1 kHz, 3% THD)	800 Ω Load - 14 dBV (0.63 V) (phantom), 1% THD; -23 dBV (0.71 V) (battery), 3% THD
Total Harmonic Distortion	< 0.25% (130 dB SPL at 250 Hz into 800 Ω load)
Maximum SPL	800 Ω Load: 141 dB (phantom), 123 dB (battery)
Hum Pickup	-3 dB equivalent SPL in a 1 millioersted field (60 Hz)
Output Noise (equivalent sound pressure levels; measured with true rms voltmeter)	22 dB typical, A-weighted 25 dB typical, weighted per DIN 45 505
Dynamic Range	119 dB (phantom); 101 dB (battery) (maximum SPL, 2000 Ω load, to A-weighted noise level)
Signal-to-Noise Ratio	72 dB (IEC 651)* at 94 dB SPL
Overvoltage Protection	Maximum external voltage applied to pins 2 and 3 with respect to pin 1: +52 Vdc Reverse polarity protected to 75 Vdc
Polarity	Positive pressure on diaphragm produces positive voltage on pin 2 relative to pin 3
Power	Supply Voltage: 11 to 52 Vdc, (+) pins 2 and 3 Current Drain: 1.0 to 1.2 mA max. at 52 Vdc
Battery Operation	Type: 1.5 V alkaline, AA size (NEDA 15A) Life: Up to 5,000 hours with fresh battery
Connector	XLR professional audio 3-Pin
Case	Steel and brass construction with gray finish and stainless steel mesh grille
Weight	250 g less battery



SM94

## Optional Accessories and Replacement Parts

A25D	Microphone clip	A15AS	Switch-selectable attenuator	A53M	Isolation mount
A3WS	Microphone windscreen				



**SHURE**<sup>®</sup>  
LEGENDARY  
PERFORMANCE™

# SM137 Cardioid Condenser Microphone

## Overview

The SM137 is a versatile, flat-response cardioid condenser probe microphone with an ultra-thin diaphragm for a frequency response that combines a smooth high-end with a tight, controlled low-end and a -15 dB pad for natural sound reproduction in both acoustic and high volume performance applications

## Features

- Cardioid polar pattern to reduce the pickup of unwanted sounds
- Ultra-thin, 2.5  $\mu\text{m}$  24 karat gold-layered, low mass Mylar® diaphragm for superior transient response
- Class A, discrete, transformerless preamplifier for transparency, extremely fast transient response, no crossover distortion, and minimal harmonic and intermodulation distortion
- Premium electronic components, including gold-plated internal and external connectors
- Two-position switchable pad (0 dB and 15 dB) for handling extremely high sound pressure levels (SPLs)

## Available Models

<b>SM137</b>	Includes a swivel adapter and a zippered pouch
--------------	--

## Specifications

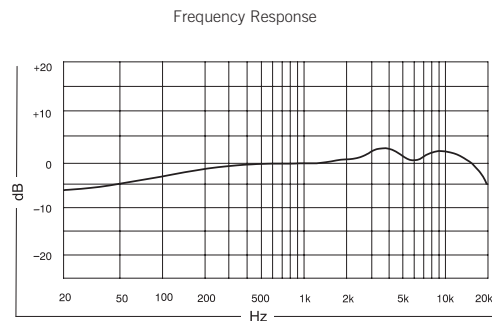
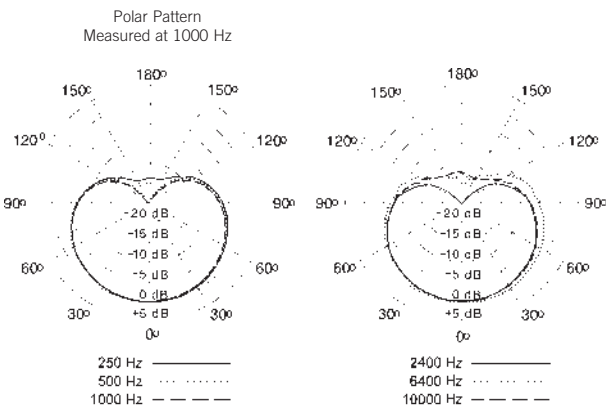
<b>Type</b>	Electret condenser
<b>Frequency Response</b>	20 to 20,000 Hz
<b>Polar Pattern</b>	Cardioid
<b>Impedance</b>	150 $\Omega$ (actual)
<b>Sensitivity</b> (at 1 kHz, Open circuit voltage)	-41 dBV/Pa 1 Pascal=94 dB SPL
<b>Maximum SPL</b> (1 kHz, < 1% THD)	1000 $\Omega$ load: 139 dB (154 dB, Pad on) 2500 $\Omega$ load: 144 dB (159 dB, Pad on)
<b>Signal-to-Noise Ratio</b> (referenced at 94 dB SPL at 1 kHz)	75 dB S/N ratio is difference between 94 dB SPL and equivalent SPL of self noise, A-weighted
<b>Dynamic Range</b> (at 1 kHz)	1000 $\Omega$ load: 122 dB 2500 $\Omega$ load: 128 dB
<b>Common Mode Rejection</b> (20 Hz to 20 kHz)	> 50 dB
<b>Clipping Level</b> (20Hz-20 kHz at 1% THD)	1000 $\Omega$ load: 3 dBV 2500 $\Omega$ load: 9 dBV THD of microphone preamplifier when applied input signal is equivalent to cartridge output at specified SPL
<b>Self Noise</b> (typical, equivalent SPL, A-weighted)	19 dB
<b>Polarity</b>	Positive pressure on diaphragm produces positive voltage on pin 2 with respect to pin 3
<b>Weight</b>	195 g
<b>Switch</b>	Attenuator: -15 dB
<b>Dimensions</b>	162 mm L x 24 mm
<b>Connector</b>	Three-pin professional audio (XLR), male
<b>Power Requirements</b>	48 Vdc phantom, 5.2 mA



SM137

## Optional Accessories and Replacement Parts

<b>A55M, A55HM</b>	Shock stopper™ isolation mount	<b>A53M</b>	Isolation mount	<b>A25D</b>	Microphone clip
--------------------	--------------------------------	-------------	-----------------	-------------	-----------------



**SHURE**<sup>®</sup>  
LEGENDARY  
PERFORMANCE™

**SHURE**<sup>®</sup>  
LEGENDARY  
PERFORMANCE™

**Europe, Middle East, Africa:**  
Shure Europe GmbH  
Jakob-Dieffenbacher-Str. 12,  
75031 Eppingen, Germany

Phone: +49-7262-92490  
Fax: +49-7262-9249114  
Email: [info@shure.de](mailto:info@shure.de)  
[www.shure.eu](http://www.shure.eu)