

SHURE®

LEGENDARY
PERFORMANCE™

UA844SWB



Antenna Distribution System

Distributeur d'antenne

Antennensplittersystem

Sistema de distribución de antenas

Sistema di distribuzione di antenna

Sistema de Distribuição de Antena

Антенные распределительные системы

Antenneverdeelsysteem

アンテナ分配システム

안테나 분배 시스템

天线分配系统

天線分配系統

Sistem Antena Distribusi



General

The Shure Model UA844SWB is a UHF antenna distribution system that allows the expansion of wireless microphone systems by splitting one pair of antennas to multiple receivers. It also amplifies RF signals to compensate for insertion loss that results from splitting signal power to multiple outputs. A single UA844SWB system can support up to four wireless receivers. A maximum of five UA844SWB systems may be used in a two-tiered configuration.

Model Variations

UA844SWB: Includes all components

UA844SWB/LC: Includes all components, excluding antenna cables and locking power cables

Note: A power switch on the front panel is included on some units, depending on country-specific regulations.

System Components

- Front-mounting antenna hardware
- Rack-mounting hardware
- External power supply
- Antenna cables and hardware for receiver connections (not included in UA844SWB/LC)
- Locking and non-locking DC power cables for receiver connections (locking cables not included in UA844SWB/LC)

Specifications

Power Requirements

14 to 18V DC

DC Output

14 to 18V DC (x4)

Output Current

Combined total from all DC outputs
2.5 A, maximum

Operating Temperature Range

-7°C (20°F) to 49°C (120°F)

Dimensions

45 x 483 x 172 mm (H x W x D)

Net Weight

1.62 kg(3.6 lbs)

RF Input

Connector Type

BNC

RF Frequency Range

470 to 952 MHz

Bias Voltage

12V DC (150 mA max.) (x2)

Impedance

50 Ω

RF Output

RF Frequency Range

470 to 952 MHz

Output Intercept Point (OIP3)

21 dBm, typical

Connector Type

BNC

Impedance

50 Ω

Output Connector Isolation

30 dB, typical

Gain

Input to any output port (Unused ports terminated in 50 Ω)

-0.5 to 3.0 dB

Optional Accessories

| | |
|---|-----------|
| Line Amplifier (470-900 MHz) | UA830WB |
| Line Amplifier (470-698 MHz) | UA830USTV |
| Line Amplifier (944-952 MHz) | UA830X |
| Powered Directional Antenna (470-900 MHz) | UA870WB |
| Powered Directional Antenna (470-698 MHz) | UA870USTV |
| Powered Directional Antenna (944-952 MHz) | UA870X |
| Powered Directional Antenna (470-698 MHz) | UA874US |
| Powered Directional Antenna (470-790 MHz) | UA874E |
| Powered Directional Antenna (470-900 MHz) | UA874WB |
| Powered Directional Antenna (925-952 MHz) | UA874X |
| 1/2 Wave Antenna (774-862 MHz) | UA820A |
| 1/2 Wave Antenna (690-746 MHz) | UA820B |
| 1/2 Wave Antenna (554-590 MHz) | UA820D |
| 1/2 Wave Antenna (470-530 MHz) | UA820G |
| 1/2 Wave Antenna (518-578 MHz) | UA820H4 |
| 1/2 Wave Antenna (944-952 MHz) | UA820X |
| 2 ft. BNC-BNC Cable | UA802 |
| 6 ft. BNC-BNC Cable | UA806 |
| 25 ft. BNC-BNC Cable | UA825 |
| 50 ft. BNC-BNC Cable | UA850 |
| 100 ft. BNC-BNC Cable | UA8100 |
| Bulkhead Adapters | 95A8994 |
| Power Cables for ULX Receivers | 95B8420 |
| Power Cables for SLX Receivers | 95B8373 |

Replacement Parts

| | |
|--------------|----------|
| Hardware Kit | 90XN1371 |
| Power Supply | PS45US |
| Power Supply | PS45E |
| Power Supply | PS45UK |

Important Product Information

LICENSING INFORMATION

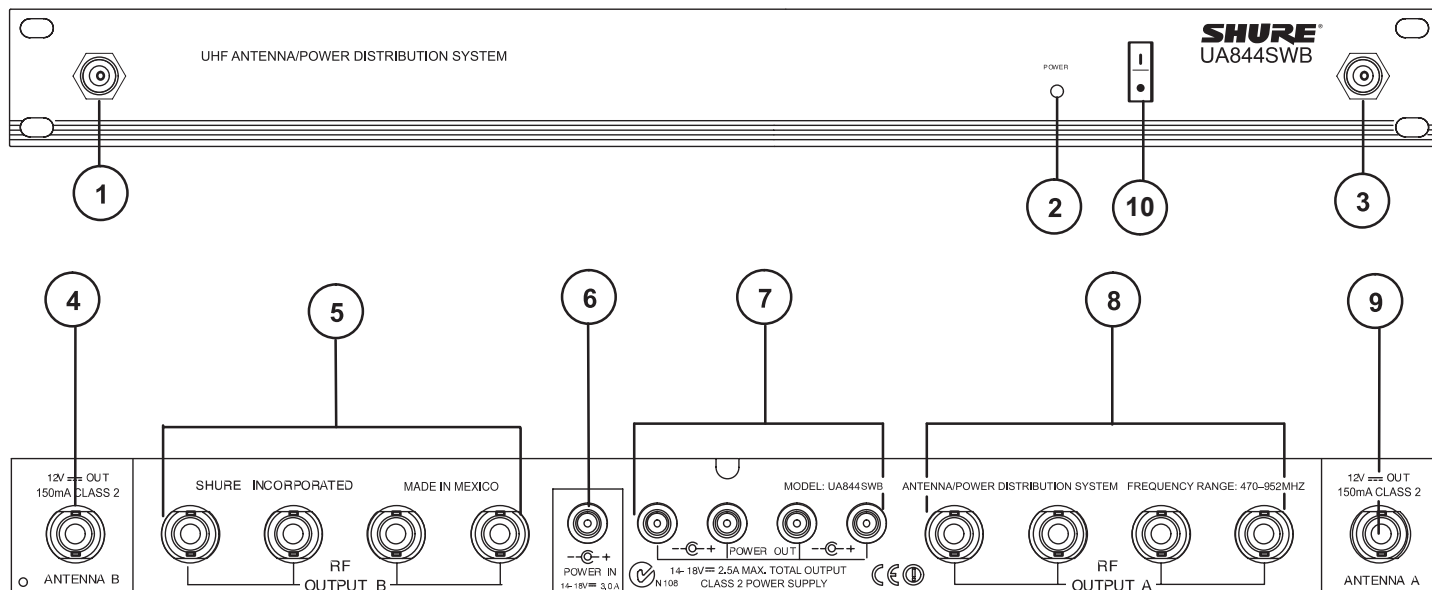
Licensing: A ministerial license to operate this equipment may be required in certain areas. Consult your national authority for possible requirements. Changes or modifications not expressly approved by Shure Incorporated could void your authority to operate the equipment. Licensing of Shure wireless microphone equipment is the user's responsibility, and licensability depends on the user's classification and application, and on the selected frequency. Shure strongly urges the user to contact the appropriate telecommunications authority concerning proper licensing, and before choosing and ordering frequencies.

NOTE: This Radio equipment is intended for use in musical professional entertainment and similar applications. This Radio apparatus may be capable of operating on some frequencies not authorized in your region. Please contact your national authority to obtain information on authorized frequencies and RF power levels for wireless microphone products.

The CE Declaration of Conformity can be obtained from Shure Incorporated or any of its European representatives. For contact information please visit www.shure.com

The CE Declaration of Conformity can be obtained from: www.shure.com/europe/compliance

Authorized European representative:
Shure Europe GmbH
Headquarters Europe, Middle East & Africa
Department: EMEA Approval
Jakob-Dieffenbacher-Str. 12
75031 Eppingen, Germany
Phone: 49-7262-92 49 0
Fax: 49-7262-92 49 11 4
Email: EMEAsupport@shure.de



FRONT AND REAR PANELS

- ① Antenna A Connector
- ② Power Indicator
- ③ Antenna B Connector
- ④ RF Input, Antenna B
- ⑤ RF Output B Connectors
- ⑥ 14 to 18 Vdc Power Input
- ⑦ 14 to 18 Vdc Power Output
- ⑧ RF Output A Connectors
- ⑨ RF Input, Antenna A
- ⑩ Power Switch (country dependent)

PANNEAUX AVANT ET ARRIÈRE

- ① Connecteur d'antenne A
- ② Témoin d'alimentation
- ③ Connecteur d'antenne B
- ④ Entrée RF, Antenne B
- ⑤ Connecteurs de sortie RF B
- ⑥ Entrée d'alimentation de 14 à 18 V c.c.
- ⑦ Sortie d'alimentation de 14 à 18 V c.c.
- ⑧ Connecteurs de sortie RF A
- ⑨ Entrée RF, Antenne A
- ⑩ Interrupteur d'alimentation (selon le pays)

VORDER- UND RÜCKSEITEN

- ① Antennenanschluss A
- ② Betriebsanzeige
- ③ Antennenanschluss B
- ④ HF-Eingang, Antenne B
- ⑤ HF-Ausgangsanschlüsse B
- ⑥ 14 bis 18 V-Gleichspannungseingang
- ⑦ 14 bis 18 V-Gleichspannungsausgang
- ⑧ HF-Ausgangsanschlüsse A
- ⑨ HF-Eingang, Antenne A
- ⑩ AN/AUS-Schalter (Power; länderspezifisch)

PANELES DELANTERO Y TRASERO

- ① Conector de antena A
- ② Indicador de alimentación
- ③ Conector de antena B
- ④ Entrada de RF, antena B
- ⑤ Conectores de salida B de RF
- ⑥ Entrada de alimentación de 14 a 18 VCC
- ⑦ Salida de alimentación de 14 a 18 VCC
- ⑧ Conectores A de salida de RF
- ⑨ Entrada de RF, antena A
- ⑩ Interruptor de encendido (depende del país)

PANNELI ANTERIORE E POSTERIORE

- ① Connettore antenna A
- ② Spia di alimentazione
- ③ Connettore antenna B
- ④ Ingresso RF, antenna B
- ⑤ Uscita RF connettori B
- ⑥ Ingresso alimentazione da 14 a 18 V c.c.
- ⑦ Uscita alimentazione da 14 a 18 V c.c.
- ⑧ Uscita RF connettori A
- ⑨ Ingresso RF, antenna A
- ⑩ Interruttore alimentazione (secondo la nazione)

PAINÉIS FRONTAL E TRASEIRO

- ① Conector da Antena A
- ② Indicador de Energia
- ③ Conector da Antena B
- ④ Entrada RF, Antena B
- ⑤ Conectores da Saída RF B
- ⑥ Entrada de Alimentação de 14 a 18 Vdc
- ⑦ Saída de Alimentação de 14 a 18 Vdc
- ⑧ Conectores da Saída RF A
- ⑨ Entrada RF, Antena A
- ⑩ Botão Liga/Desliga (dependendo do país)

ЛИЦЕВАЯ И ЗАДНЯЯ ПАНЕЛИ

- ① Разъем для подключения антенны A
- ② Индикатор питания
- ③ Разъем для подключения антенны B
- ④ РЧ вход, антенна B
- ⑤ Разъемы РЧ выхода B
- ⑥ Входной разъем питания от 14 до 18 В пост. тока
- ⑦ Выходной разъем питания от 14 до 18 В пост. тока
- ⑧ Разъемы РЧ выхода A
- ④ РЧ вход, антенна A
- ⑩ Выключатель питания (предусмотрен в моделях для некоторых стран)

VOOR- EN ACHTERPANELEN

- ① Aansluiting antenne A
- ② Voedingsindicator
- ③ Aansluiting antenne B
- ④ RF-ingang, antenne B
- ⑤ RF-aansluitingen uitgang B
- ⑥ Vermogensingang 14 tot 18 V
- ⑦ Vermogensuitgang 14 tot 18 V
- ⑧ RF-aansluitingen uitgang A
- ⑨ RF-ingang, antenne A
- ⑩ Voedingsschakelaar (afhankelijk van het land)

フロントおよびリアパネル

- ① アンテナAコネクタ
- ② 電源インジケータ
- ③ アンテナBコネクタ
- ④ RF入力端子、アンテナB
- ⑤ RF出力Bコネクタ
- ⑥ 14~18 Vdc 電源入力
- ⑦ 14~18 Vdc 電源出力
- ⑧ RF出力Aコネクタ
- ⑨ RF入力端子、アンテナA
- ⑩ 電源スイッチ (国によって異なる)

전면 패널과 후면 패널

- ① 안테나 A 커넥터
- ② 전원 표시기
- ③ 안테나 B 커넥터
- ④ RF 입력, 안테나 B
- ⑤ RF 출력 B 커넥터
- ⑥ 14~18 Vdc 전원 입력
- ⑦ 14~18 Vdc 전원 출력
- ⑧ RF 출력 A 커넥터
- ⑨ RF 입력, 안테나 A
- ⑩ 전원 스위치 (국가에 따라 다름)

前后面板

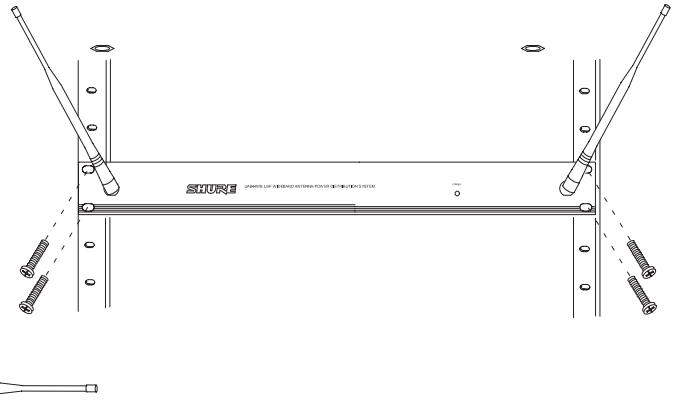
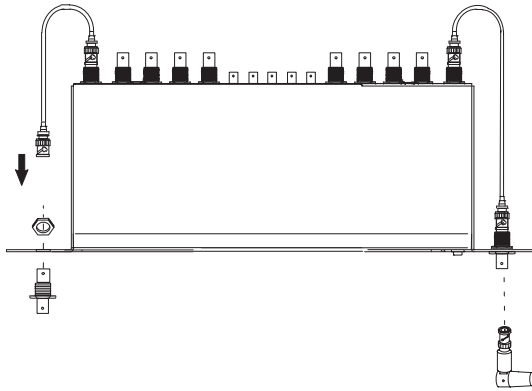
- ① 天线 A 连接器
- ② 电源指示灯
- ③ 天线 B 连接器
- ④ RF 输入, 天线 B
- ⑤ RF 输出 B 连接器
- ⑥ 14 伏至 18 伏直流电源输入
- ⑦ 14 伏至 18 伏直流电源输出
- ⑧ RF 输出 A 连接器
- ⑨ RF 输入, 天线 A
- ⑩ 电源开关 (取决于具体国家)

前面板和后面板

- ① 天线 A 连接器
- ② 电源指示灯
- ③ 天线 B 连接器
- ④ RF 输入, 天线 B
- ⑤ RF 输出 B 连接器
- ⑥ 14 伏至 18 伏直流电源输入
- ⑦ 14 伏至 18 伏直流电源输出
- ⑧ RF 输出 A 连接器
- ⑨ RF 输入, 天线 A
- ⑩ 电源开关 (取决于具体国家)

PANEL DEPAN DAN BELAKANG

- ① Konektor Antena A
- ② Indikator Daya
- ③ Konektor Antena B
- ④ Input RF, Antena B
- ⑤ Output RF Konektor B
- ⑥ Input Daya 14 hingga 18 V DC
- ⑦ Output Daya 14 hingga 18 V DC
- ⑧ Output RF Konektor A
- ⑨ Input RF, Antena A
- ⑩ Sakelar Daya (tergantung negara)



INSTALLATION
MONTAGE
INSTALLATION
INSTALACION

INSTALLAZIONE
INSTALAÇÃO
УСТАНОВКА
PLAATSING

INSTALASI
取付方法
설치
安裝
安裝

CABLE CONNECTIONS (ONE UA844)

BRANCHEMENTS DES CÂBLES (POUR UN UA844)

KABELANSCHLÜSSE (EIN UA844-SYSTEM)

CONEXIONES DE CABLE (UN UA844)

COLLEGAMENTO DEI CAVI (UN UA844)

CONEXÕES DE CABO (UM UA844)

КАБЕЛЬНЫЕ СОЕДИНЕНИЯ (ОДНА СИСТЕМА UA844)

KABELAANSLUITINGEN (EEN UA844-SYSTEEM)

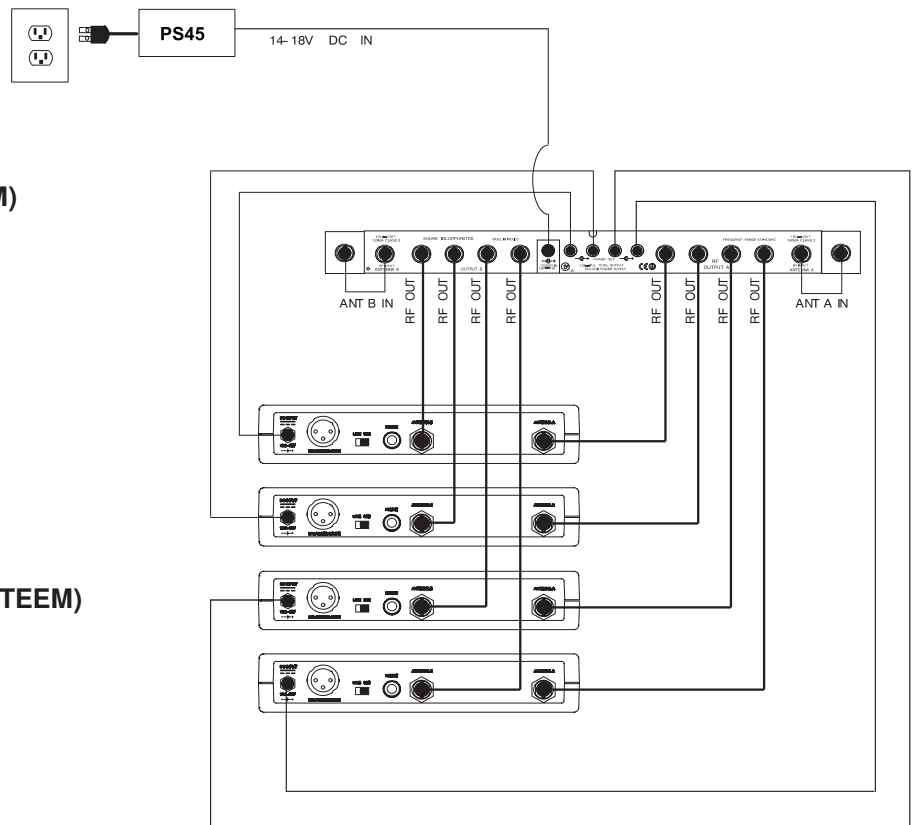
ケーブル接続 (UA844が1台の場合)

케이블 연결 (UA844 1개)

线缆连接 (一个 UA844)

線纜連接 (一個 UA844)

SAMBUNGAN KABEL (SATU UA844)



CABLE CONNECTIONS (MULTIPLE UA844 SYSTEMS)

BRANCHEMENTS DES CÂBLES (POUR PLUSIEURS UA844)

KABELANSCHLÜSSE (MEHRERE UA844-SYSTEME)

CONEXIONES DE CABLE (VARIOS SISTEMAS UA844)

COLLEGAMENTO DEI CAVI (PIÙ SISTEMI UA844)

CONEXÕES DE CABO (VÁRIOS SISTEMAS UA844)

КАБЕЛЬНЫЕ СОЕДИНЕНИЯ (НЕСКОЛЬКО СИСТЕМ UA844)

KABELAANSLUITINGEN (MEERDERE UA844-SYSTEMEN)

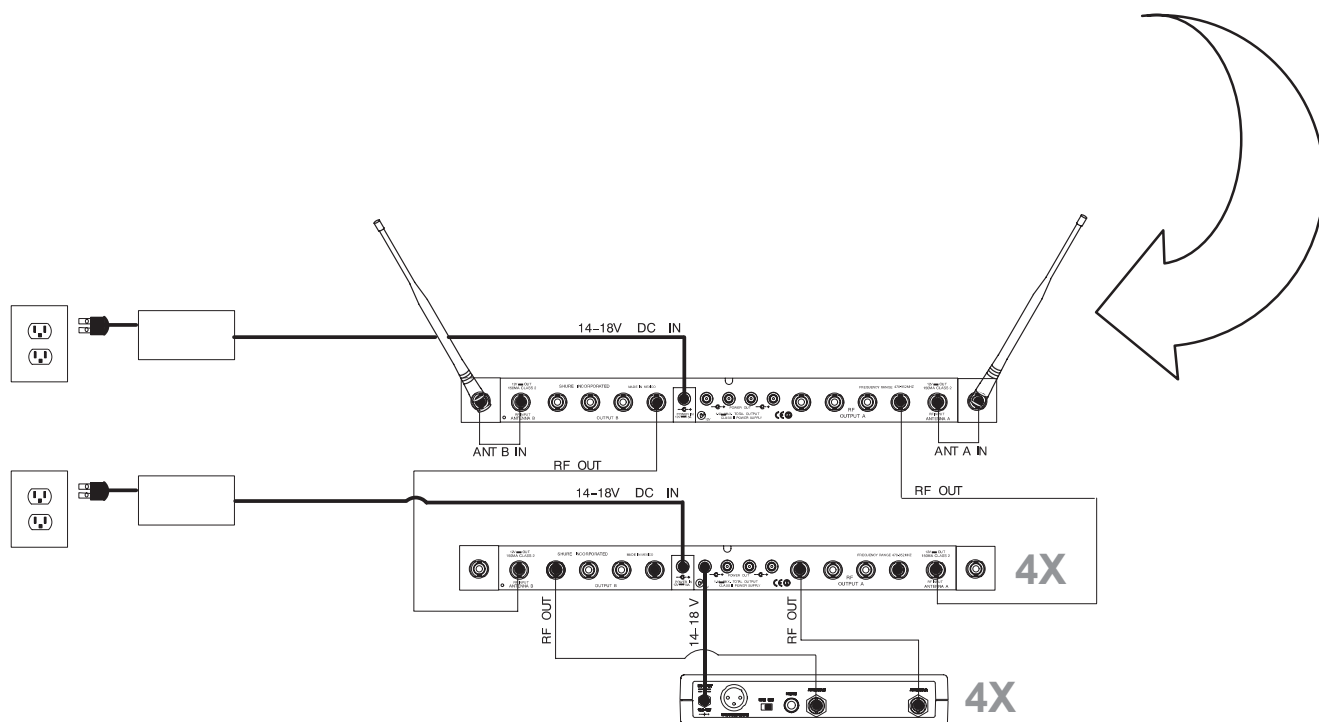
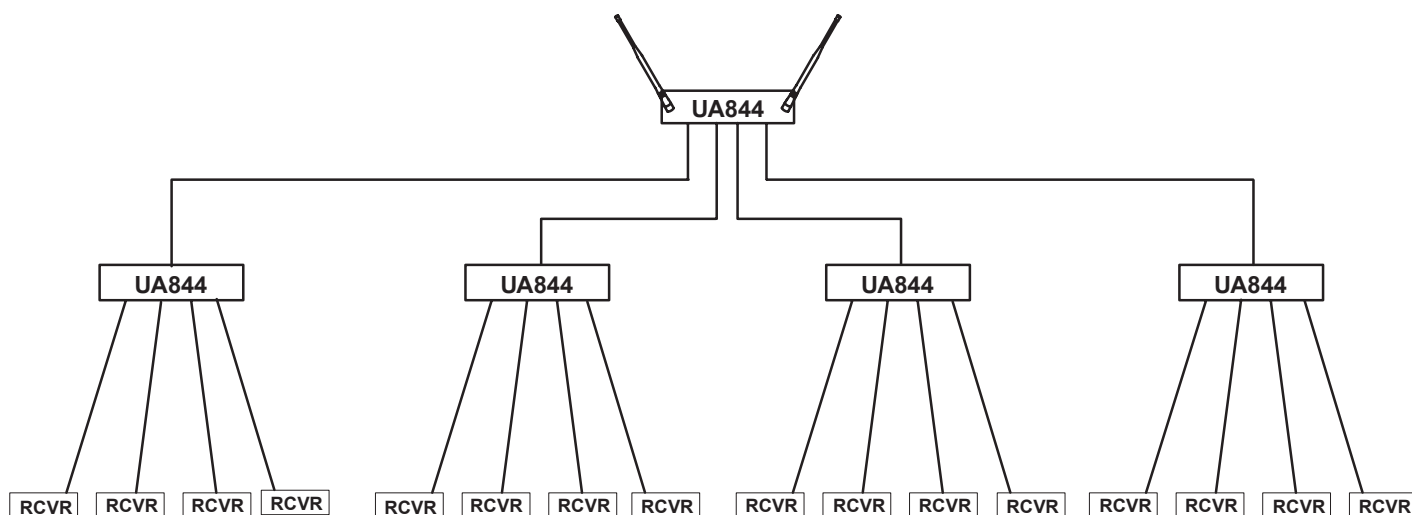
SAMBUNGAN KABEL (BEBERAPA SISTEM UA844)

ケーブル接続 (UA844システムが複数の場合)

케이블 연결 (다중 UA844 시스템)

线缆连接 (多个 UA844 系统)

線纜連接 (多個 UA844 系統)





United States, Canada, Latin America, Caribbean:

Shure Incorporated
5800 West Touhy Avenue
Niles, IL 60714-4608 USA

Phone: 847-600-2000
Fax: 847-600-1212 (USA)
Fax: 847-600-6446
Email: info@shure.com

www.shure.com

Europe, Middle East, Africa:

Shure Europe GmbH
Jakob-Dieffenbacher-Str. 12,
75031 Eppingen, Germany

Phone: 49-7262-92490
Fax: 49-7262-9249114
Email: info@shure.de

Asia, Pacific:

Shure Asia Limited
22/F, 625 King's Road
North Point, Island East
Hong Kong

Phone: 852-2893-4290
Fax: 852-2893-4055
Email: info@shure.com.hk

PT. GOSHEN SWARA INDONESIA

Kompleks Harco Mangga Dua Blok L No. 35 Jakarta Pusat

I.16.GSI31.00501.0211