

# V2-215S DUAL 15-INCH SUBWOOFER SYSTEM



## SPECIFICATIONS

<b>Loudspeaker Type:</b>	Dual driver subwoofer, rectangular, vented bass
<b>Operating Range:</b>	37 Hz to 2000 Hz (-10 dB)
<b>Frequency Response:</b>	50 Hz to 1000 Hz (-3 dB)
<b>Max Input Ratings:</b>	400W continuous, 1000W program 40 volts RMS, 80 volts momentary peak
<b>Sensitivity (1W/1m):</b>	97 dB (50 Hz to 200 Hz) half space
<b>Maximum Output:</b>	123 dB SPL / 129 dB SPL (peak)
<b>Nominal Impedance:</b>	4 ohms
<b>Minimum Impedance:</b>	3.3 ohms @ 130 Hz
<b>Nominal -6dB Beamwidth:</b>	360° H x 180° V
<b>Recommended Signal Processing:</b>	35 Hz, 24 dB/octave high pass filter
<b>Drivers:</b>	LF 2 x 15-inch
<b>Driver Protection:</b>	DYNA-TECH protection circuitry
<b>Input Connection:</b>	NL4-compatible locking connector with terminal strip in parallel
<b>Controls:</b>	None
<b>Enclosure:</b>	18mm, 11-ply cross-laminated birch
<b>Mounting/Rigging Provisions:</b>	8 x M10 threaded rigging fittings
<b>Finish:</b>	Catalyzed polyester two-part paint, black or white
<b>Grille:</b>	Powder coated steel, black or white finish
<b>Required Accessories:</b>	None
<b>Supplied Accessories:</b>	Rubber feet, black (4) Built-in Ergo-Grip™ handles (4)
<b>Optional Accessories:</b>	M10EYBLTKIT 10mm eyebolt kit STKIT seat track kit
<b>Dimensions—Height:</b>	18.4 inches (468 mm) - not including feet
<b>Width:</b>	37.4 inches (950 mm)
<b>Depth:</b>	20.4 inches (518 mm)
<b>Weight:</b>	94 lbs (42.6 kg)
<b>Model Options:</b>	V2-215SB (black finish) V2-215SW (white finish)

### NOTES:

1. Sensitivity: Free field pink noise measurement at 6ft (1.8m) at 10% power; extrapolated to 1 meter and an input of 2.83 volts RMS.
2. Watts: All wattage figures are calculated using the rated nominal impedance.
3. Sensitivity: Subwoofers measurements are performed half-space.



## APPLICATIONS

- Nightclubs
- Concerts
- Bars and restaurants
- Houses of worship
- Theaters
- Themed attractions
- AV rental

## FEATURES

- DYNA-TECH™ driver protection circuitry
- Patented Cool-Coil™ heat evacuation technology to minimize cone driver power compression
- Eight M10 threaded rigging fittings (four on each end panel)
- Built-in Ergo-Grip™ handles (two on each end panel)
- Terminal strip and NL4-compatible connectors
- Available in standard black or white finishes

## DESCRIPTION

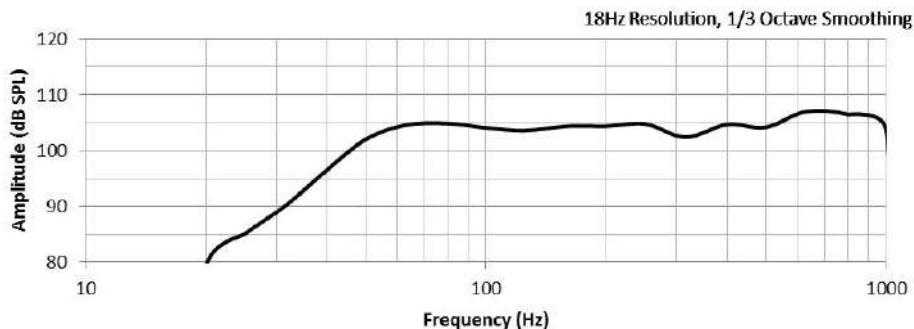
The high output V2-215S is a dual-driver subwoofer system designed to augment and extend the low frequency output of any VERIS 2 full-range loudspeaker system, achieving the high impact and depth of response needed for larger venues. It is characterized by deep, dramatic bass and a fast transient response. Powerful and low in distortion, the V2-215S produces authoritative low frequency output and can handle almost any musical style with ease. Solidly constructed of 18mm, 11-ply cross-laminated birch plywood, this subwoofer provides an accurate acoustic response uncolored by enclosure resonance.

The enclosure may be suspended from its M10 threaded rigging points, or simply located on the floor. As with all subwoofers, a corner placement is recommended when possible, in order to take advantage of the acoustical boundary effect for the highest possible efficiency. The V2-215S includes Community's exclusive DYNA-TECH™ driver protection circuitry to protect against abusive operating conditions, and also features Community's patented Cool-Coil™ heat evacuation technology to minimize cone driver power compression and ensure long-term reliability.

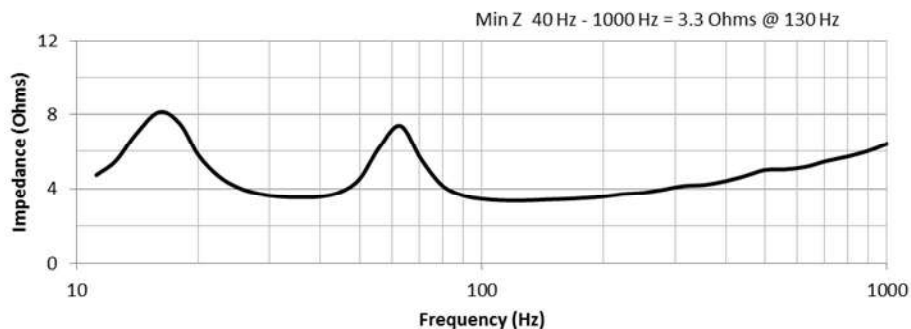
# V2-215S DUAL 15-INCH SUBWOOFER SYSTEM



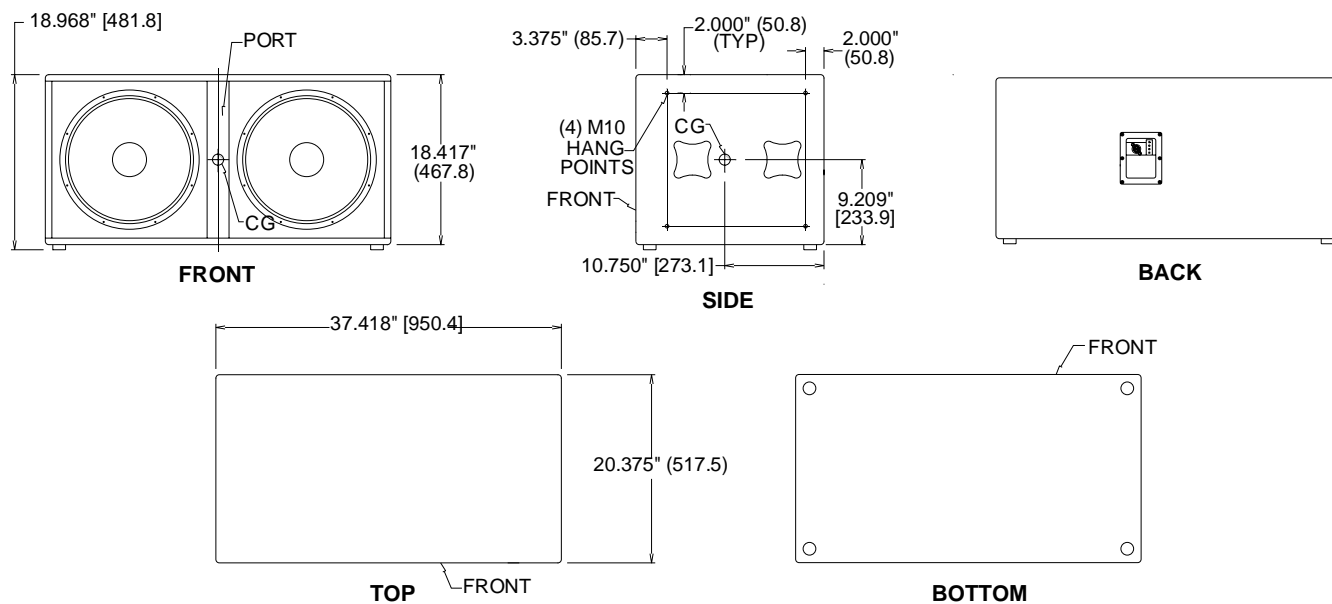
## FREQUENCY RESPONSE



## IMPEDANCE



## DIMENSIONS



## ARCHITECTURAL SPECIFICATIONS

The loudspeaker system shall be a low frequency, rectangular, vented bass, dual 15-inch driver subwoofer. There shall be an NL4-compatible locking connector with terminal strip in parallel. The loudspeaker enclosure shall be constructed of 18mm, 11-ply cross laminated birch with a perforated steel grille and shall be fitted with eight M10 flying/rigging inserts, four (4) on each end panel. The system shall have an amplitude response of 37 Hz to 2000 Hz (-10 dB) and input capability of 40V RMS. The sensitivity at 1W/1m shall be 97 dB between 50 Hz to 200 Hz (half-space) at a nominal 4 ohm impedance. The nominal dispersion shall be 360° H x 180° V over its usable frequency range. The dimensions of the enclosure are defined as 18.4 in. (468 mm) H x 37.4 in. (950 mm) W x 20.4 in. (518 mm) D at a weight of 94 lbs (42.6 kg).

*Community strives to improve its products on a continual basis. Specifications are therefore subject to change without notice.*