

# SONANCE

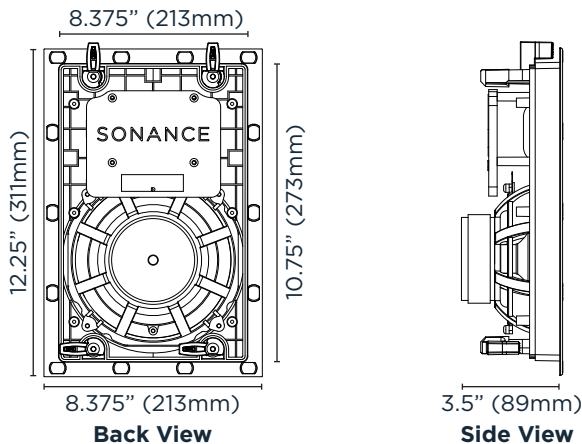
## VISUAL PERFORMANCE DATA SHEET

VP62 | VP66 | VP68

### TECHNICAL SPECIFICATIONS

	<b>VP62</b> 93003	<b>VP66</b> 93004	<b>VP68</b> 93005
<b>SKU</b>	Pair	Pair	Pair
<b>UOM</b>	1" (25mm) cloth dome, Ferrofluid-cooled, pivoting, acoustic back chamber	1" (25mm) powder coated aluminum dome, Ferrofluid-cooled, pivoting, acoustic back chamber	1" (25mm) ceramic dome, Ferrofluid-cooled, pivoting, acoustic back chamber
<b>Tweeter</b>			
<b>Woofers</b>	6.5" (165mm) textured polypropylene cone, rubber surround	6.5" (165mm) textured polypropylene cone, rubber surround, pivoting	6.5" (165mm) textured polypropylene cone, rubber surround, pivoting
<b>Frequency Response</b>	45Hz - 20kHz +/-3dB	43Hz - 20kHz +/-3dB	40Hz - 20kHz +/-3dB
<b>Impedance</b>	8 Ohms nominal; 6 Ohms minimum	8 Ohms nominal; 6 Ohms minimum	6 Ohms nominal; 4 Ohms minimum
<b>Power Handling (RMS)</b>	5 watts minimum; 125 watts maximum	5 watts minimum; 140 watts maximum	5 watts minimum; 150 watts maximum
<b>Sensitivity (2.83V/1m)</b>	89dB SPL	90dB SPL	90dB SPL
<b>Product Dimensions (WxHxD)</b>	8.375" x 12.25" x 3.5" (213mm x 311mm x 89mm)	8.375" x 12.25" x 3.5" (213mm x 311mm x 89mm)	8.375" x 12.25" x 3.5" (213mm x 311mm x 89mm)
<b>Cut-Out Dimensions (WxH)</b>	6.9375" x 10.75" (176mm x 273mm)	6.9375" x 10.75" (176mm x 273mm)	6.9375" x 10.75" (176mm x 273mm)
<b>Shipping Weight</b>	9 lbs. (4.1kg)	10 lbs. (4.5kg)	12 lbs. (5.45kg)

### DIMENSIONAL DRAWINGS



### ASSOCIATED PRODUCTS

#### MEDIUM RECTANGLE MODEL

Medium Rectangle Retrofit Enclosure / Pair	92342
Medium Rectangle Flex Bracket / 5xPair	92336
Medium Rectangle Masonry Bracket / Pair	92066
Fire-Rated Listed Shallow Backcan / Each	92807
Medium Rectangle Coverplate / Pair	92334
Medium Rectangle Acoustic Enclosure / Each	91687

**LIMITED FIVE (5) YEAR WARRANTY** Sonance warrants to the first end-user purchaser that this Sonance-brand product ("Product"), when purchased from an authorized Sonance Dealer/Distributor, will be free from defective workmanship and materials for the period stated above. Sonance will at its option and expense during the warranty period, either repair the defect or replace the Product with a new or remanufactured Product or a reasonable equivalent. For more details please refer to the product manual.

©2021 Sonance. All rights reserved. Sonance is a registered trademarks of Dana Innovations. Due to continuous product improvement, all features and specifications are subject to change without notice. For the latest Sonance product specification information visit our website at [www.sonance.com](http://www.sonance.com).

SONANCE • 991 Calle Amanecer • San Clemente, CA 92673 USA • Phone: (949) 492-7777 • Fax: (949) 361-5151 • Technical Support: (949) 492-7777 • [www.sonance.com](http://www.sonance.com) 03.30.2021