



- Convenient in-line plug
- Three-position in-line switch
- Vutec EMS™ (EZ-Mounting System) included
- One-person installation—can be adjusted after mounting
- Wall or ceiling mounted
- 1" Vertical black borders
- Matte white or gray screen surface
- 6" of black leader
- Heavy duty aluminum housing with choice of black or white finish
- Available in 110 Volt or 220 Volt for export

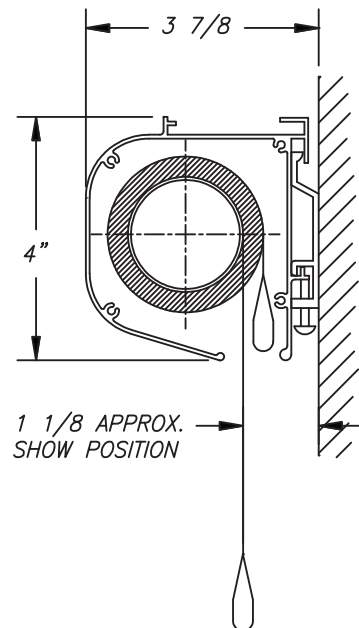
### Optional

- IR — infrared remote control
- RF — radio frequency remote control
- Low voltage universal relay

*Elegante is a high-quality competitively priced motorized screen*

Model	Diagonal	Viewing Area (nominal)	Shipping Dim. (approx)	Shipping Wt. (approx)
<b>4:3 Video Format</b>				
01-EL4357	72"	43.25" x 57.5"	73" x 4" x 4"	20 lbs.
01-EL5067	84"	50.5" x 67.25"	83" x 4" x 4"	28 lbs.
01-EL6080	100"	60" x 80"	95" x 4" x 4"	30 lbs.
01-EL7296	120"	72" x 96"	111" x 4" x 4"	35 lbs.
<b>16:9 HDTV Format</b>				
01-EL4070	80"	40" x 70"	85" x 4" x 4"	28 lbs.
01-EL4580	92"	45" x 80"	95" x 4" x 4"	30 lbs.
01-EL5090	103"	50.5" x 89.75"	105" x 4" x 4"	33 lbs.
01-EL5496	110"	54" x 96"	111" x 4" x 4"	35 lbs.

MADE IN U.S.A.



For assistance in specifying the proper Eleganté screen for your application, contact Vutec Sales at (800) 770-4700

# Elegante™ Motorized Screen

## Plug & View

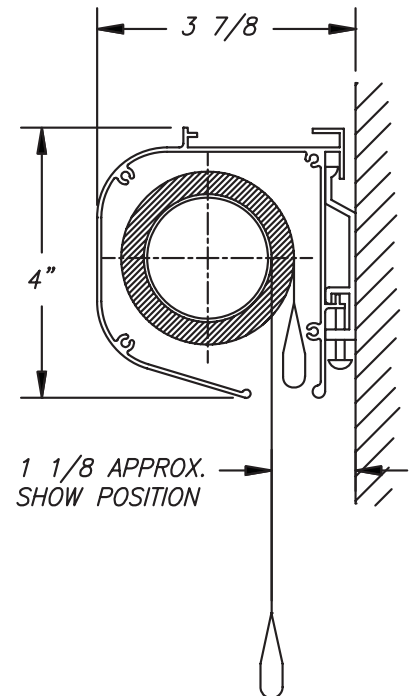


- Convenient plug-in line
- Three-position in-line switch
- Vutec EMS™ (EZ-Mounting System) included
- One-person installation—can be adjusted after mounting
- Wall or ceiling mounted
- 1" Vertical black borders
- Matte white screen surface
- 6" of black leader only in 4:3 and 16:9 formats
- Heavy duty aluminum housing with choice of black or white finishes
- Available in 110 Volt and 220 Volt

### Optional

- IR — infrared remote control
- RF — radio frequency remote control
- Low voltage universal relay

Model	Diagonal	Viewing Area (nominal)		Shipping (approximate)
EL72D	72"	43.25" x 57.5"	110cm x 147cm	20 lbs.
EL78D	78"	46.75" x 62.25"	119cm x 158cm	25 lbs.
EL84D	84"	50.5" x 67.25"	128cm x 171cm	28 lbs.
EL100D	100"	60" x 80"	152cm x 203cm	30 lbs.
EL120D	120"	72" x 96"	183cm x 244cm	35 lbs.
EL4376	88"	43.25" x 76.75"	110cm x 195cm	28 lbs.
EL4580	92"	45" x 80"	114cm x 203cm	30 lbs.
EL5090	103"	50.5" x 89.75"	128cm x 228cm	33 lbs.
EL5496	110"	54" x 96"	137cm x 244cm	35 lbs.
EL6060		60" x 60"	152cm x 152cm	28 lbs.
EL7070		70" x 70"	178cm x 178cm	30 lbs.
EL8484		84" x 84"	213cm x 213cm	33 lbs.
EL9696		96" x 96"	244cm x 244cm	35 lbs.



FOB = Pompano Beach, Florida  
 All returns must have written authorization.  
 Prices subject to change without prior notice.



Vutec Corporation - A.V. Products Division  
 Pompano Beach, FL 33064  
 Toll Free: (800) 770-4700 Fax: (800) 548-5885  
 Tel: (954) 545-9000 Fax: (954) 545-9011  
 www.vutec.com | info@vutec.com