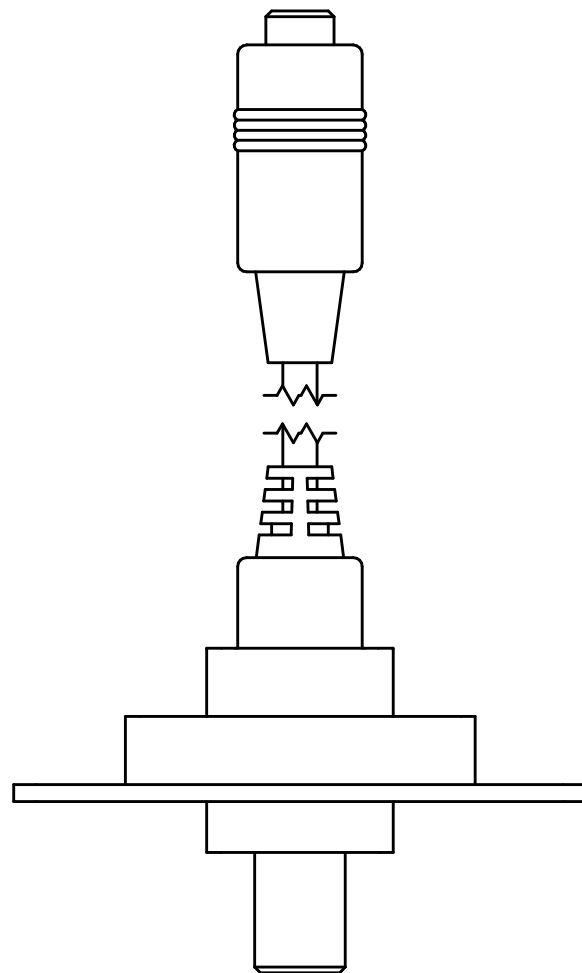
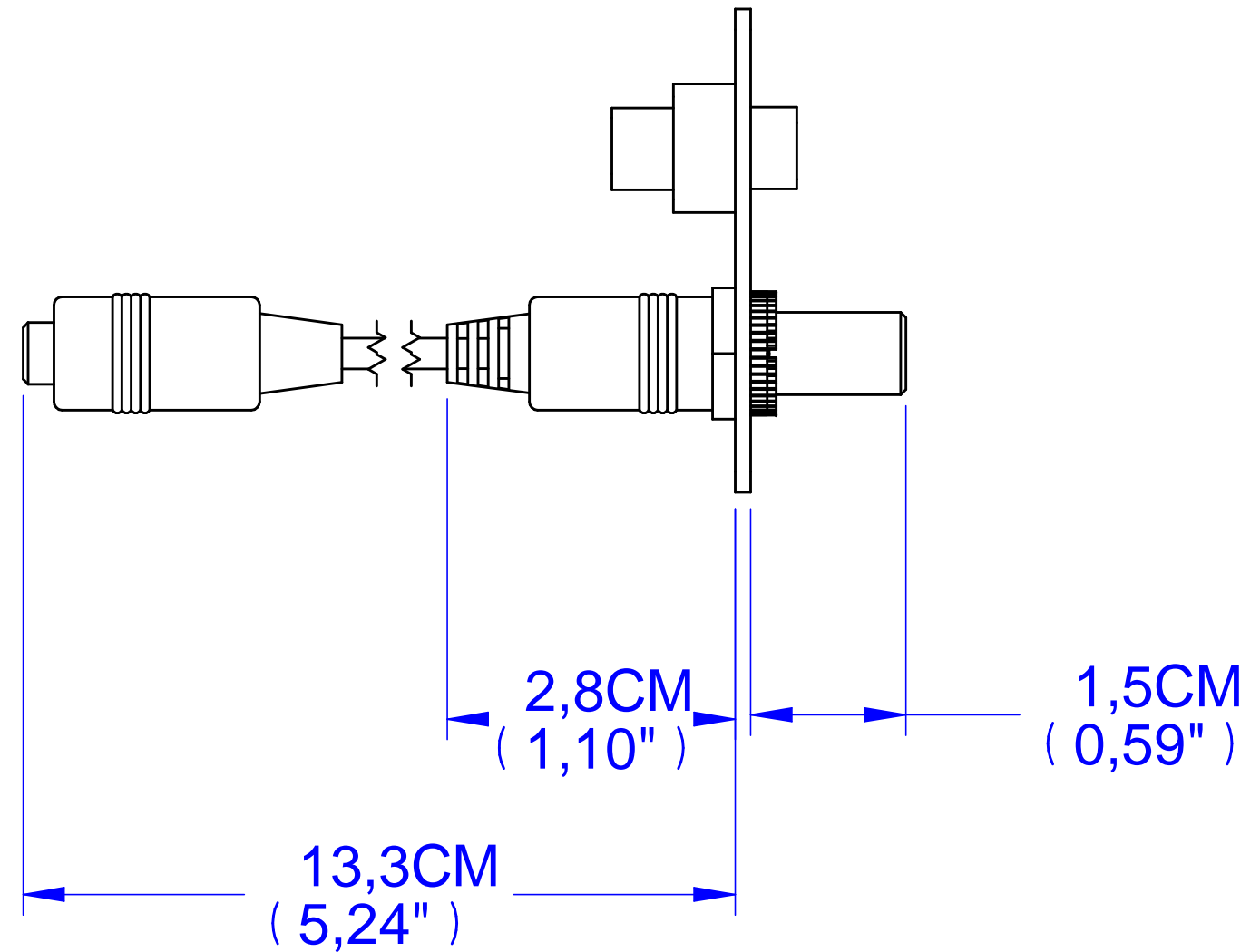
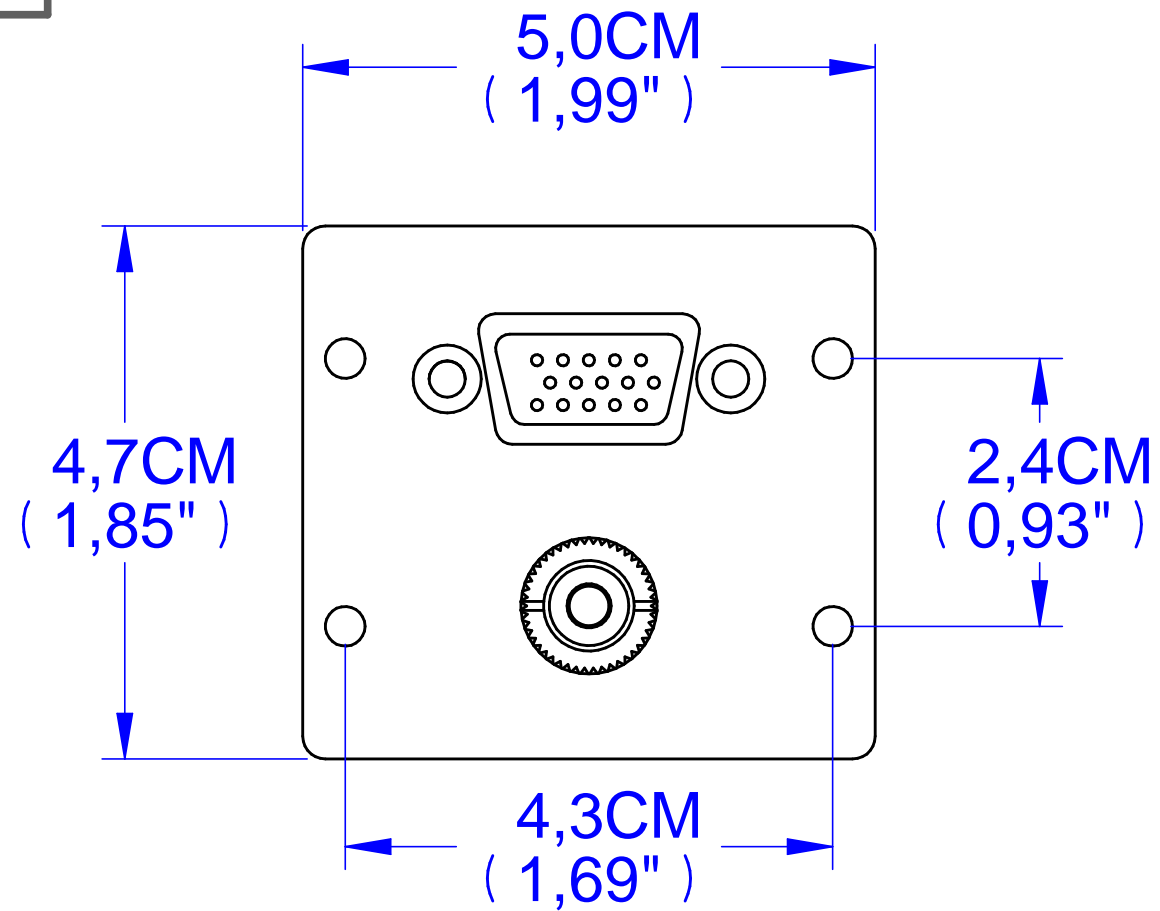


REV	DESCRIPTION	ECO NO.	DATE	APPROVED
1	PRELIMINARY		DD . MM . YY	



WXA-2P

	NAME	DATE	KRAMER ELECTRONICS LTD.	
DRAWN	IHassidim	20/Aug/12	JERUSALEM, ISRAEL	
CHECKED			PART: WXA-2P-OUTLINE	
ENG APPR			SIZE A3 KRAMER P.N.: WXA-2P-OUTLINE REV 1	
MGR APPR			File name: WXA-2P-OUTLINE.dft	
UNLESS OTHERWISE SPECIFIED DIMENSIONS ARE IN MILLIMETERS ANGLES ±0.5° LINEAR ±0.2 HOLES +0.2			Project: WXA-2P Sheet 1 of 1	