

Baronet/HW

Motor-in-Roller
Electric Screen

by **DRAPER**

Specifications—Baronet/HW

_____ projection screens, size _____

h. x _____ w., wall/ceiling mounting. Pentagonal case of 22 ga. steel, flat back design, with scratch-resistant white polyester finish. Endcaps finished to match case, with integral roller brackets, concealing roller ends and matching universal mounting brackets.

Electrically operated 3-wire motor mounted inside (1⁵/₈"/1³/₄") motor roller, instantly reversible, lifetime lubricated, with thermal overload protector and electric brake. Preset, accessible limit switches.

Provided with 3-position wall switch for 110V AC or 220V AC.

All screens shall be provided with a 6"-8" (15-20 cm) leads and 3-position wall switch. 110V unit certified by UL. 220V unit CE certified, and provided with 3-position, surface mount wall switch.

Viewing surface to be flame and mildew resistant. Matt White X1000E and Contrast Grey XH800E viewing surfaces are certified to GREENGUARD standards for low chemical emissions into indoor air during product usage. For more information, visit ul.com/gg. Fabric attached to one-piece rigid steel roller with tape. Bottom of viewing surface attached to weighted dowel.

Specifications subject to change without notice.



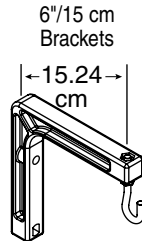
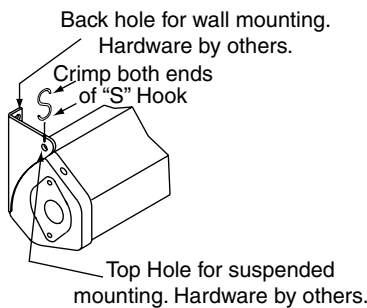
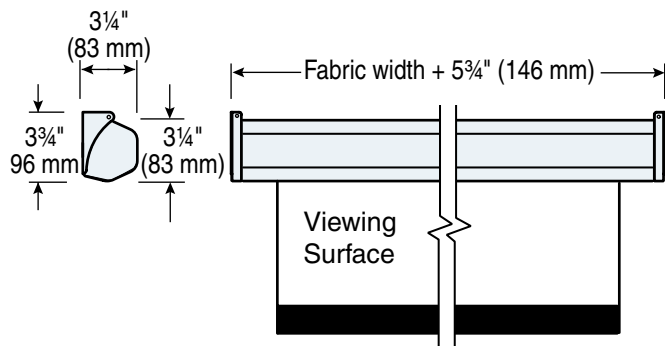
Dimensions & Data

Metric		U.S.		Case cm	Length U.S.	Net Wt. kg	Net Wt. lbs.	Qty.	
H x W (cm)	H x W (cm)	H x W (cm)	H x W (cm)						
AV Format (1:1)									
127 x 127	50" x 50"	140	55 1/4"	7	15				
152 x 152	60" x 60"	166	65 1/4"	9	19				
178 x 178	70" x 70"	191	75 1/4"	10	21				
213 x 213	84" x 84"	227	89 1/4"	14	30				
183 x 244	72" x 96"	258	101 3/4"	15	31				
244 x 244	96" x 96"	258	101 3/4"	15	32				
Nominal Diagonal	Image Area Metric (cm)	Overall Size U.S.	Overall Size Metric (cm)	U.S.	Case cm	Length U.S.	Net Wt. kg	Net Wt. lbs.	Qty.
NTSC/PAL Video Format (4:3)									
6"/183 cm	108 x 144	42 1/2" x 56 1/2"	118 x 151	46 1/2" x 59 1/2"	166	65 1/4"	9	19	
7"/213 cm	127 x 169	50" x 66 1/2"	136 x 177	53 1/2" x 69 1/2"	191	75 1/4"	10	21	
100"/254 cm	152 x 203	60" x 80"	163 x 212	64" x 83 1/2"	227	89 1/4"	14	30	
10"/305 cm	175 x 234	69" x 92"	185 x 244	73" x 96"	258	101 3/4"	15	32	
HDTV Format (16:9)									
65"/165 cm ¹	81 x 144	31 3/4" x 56 1/2"	111 x 151	43 3/4" x 59 1/2"	166	65 1/4"	9	19	
73"/185 cm ¹	91 x 163	36" x 64"	122 x 177	48" x 69 1/2"	191	75 1/4"	10	21	
82"/208 cm ¹	103 x 183	40 1/2" x 72"	133 x 188	52 1/2" x 74"	202	79 3/4"	14	30	
92"/234 cm ¹	114 x 203	45" x 80"	145 x 212	57" x 83 1/2"	227	89 1/4"	15	31	
106"/269 cm ¹	132 x 234	52" x 92"	163 x 244	64" x 96"	258	101 3/4"	15	32	
16:10 Format									
67"/170 cm ¹	90 x 144	35 1/4" x 56 1/2"	120 x 151	47 1/4" x 59 1/2"	166	65 1/4"	9	19	
76"/193 cm ¹	102 x 163	40" x 64"	132 x 177	52" x 69 1/2"	191	75 1/4"	10	21	
85"/216 cm ¹	114 x 183	45" x 72"	145 x 188	57" x 74"	202	79 3/4"	14	30	
94"/239 cm ¹	127 x 203	50" x 80"	157 x 212	62" x 83 1/2"	227	89 1/4"	15	31	
109"/277 cm ¹	146 x 234	57 1/2" x 92"	177 x 244	69 1/2" x 96"	258	101 3/4"	15	32	
Custom Size									

¹ These sizes include 12" black drop as standard.

Also available in 1.85:1, 2.35:1 and 15:9 Formats. Contact Draper.

Case Dimensions and Methods of Installation



Please Note: If using "S" Hooks, for added safety, crimp both ends of the "S" hooks so the screen cannot come off.

Please Check All Appropriate Selections

Select Viewing Surface:

- Matt White XT1000E (1.0 gain): GREENGUARD Gold certified
- Argent White XH1500E (1.5 gain)
- Contrast Grey XH800E (0.8 gain): GREENGUARD Gold certified
- Other: _____

Select Voltage:

- 110V AC (UL certified)
- 220V AC (CE certified)

Optional Accessories:

- 24V Low Voltage Control
 - Radio Frequency Remote Control
 - Infrared Remote Control
 - 6"/15 cm Mounting Brackets
 - Black Masking Borders (Standard on NTSC, HDTV & WideScreen Sizes)
 - Extra Screen Drop (Total screen height cannot exceed 244 cm/96")
 - Same color as viewing surface (standard on AV format screens)
 - Black (standard on all other formats)
- Length of extra screen drop required _____

PROJECT: _____

ARCHITECT: _____

CONTRACTOR: _____

SUPPLIER: _____

DATE: _____ REVISED: _____

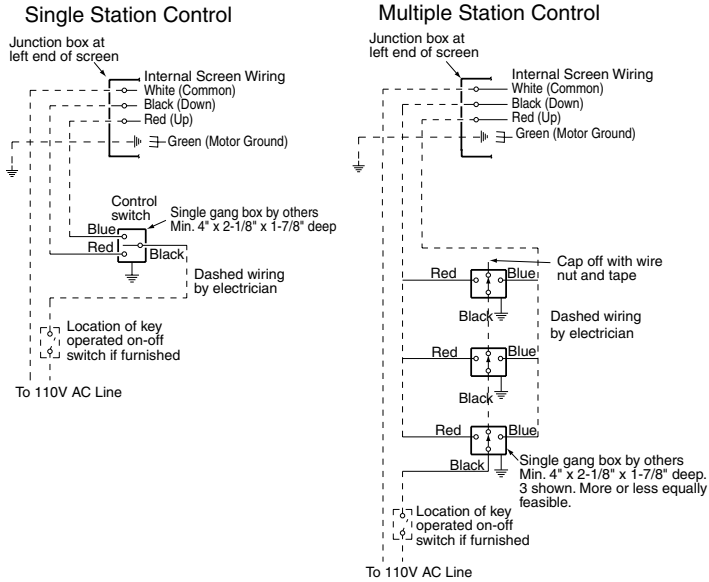


411 S. Pearl St., Spiceland, IN 47385 USA ■ 765-987-7999 ■ fax 765-987-1689
e-mail draper@draperinc.com ■ www.draperinc.com

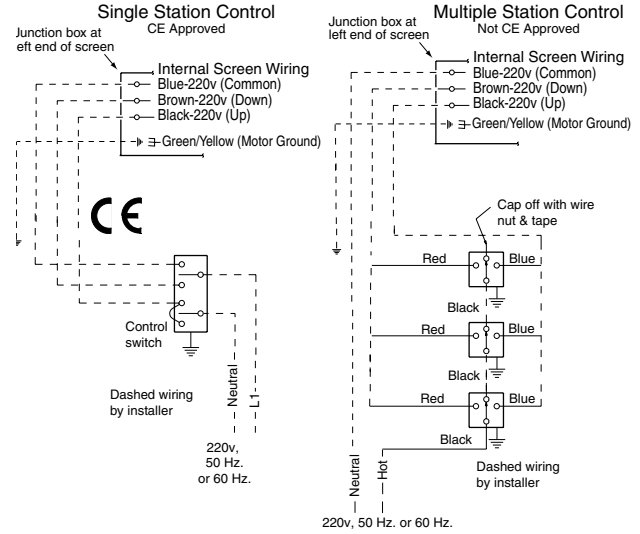
Copyright © 2015 Draper Inc. Form BaronetHW_Sub15 Printed in U.S.A.

Wiring Diagrams

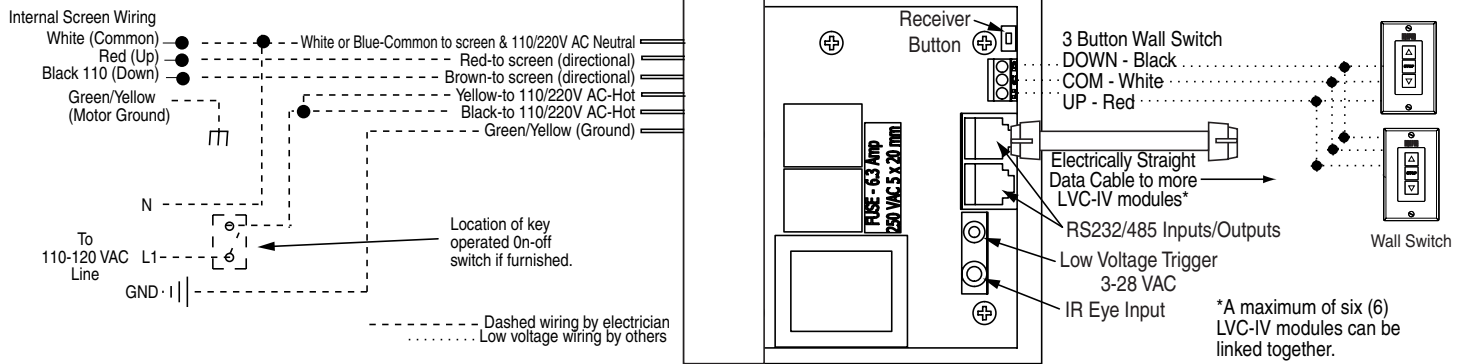
Baronet/HW 110V AC



Baronet/HW 220V AC (CE)

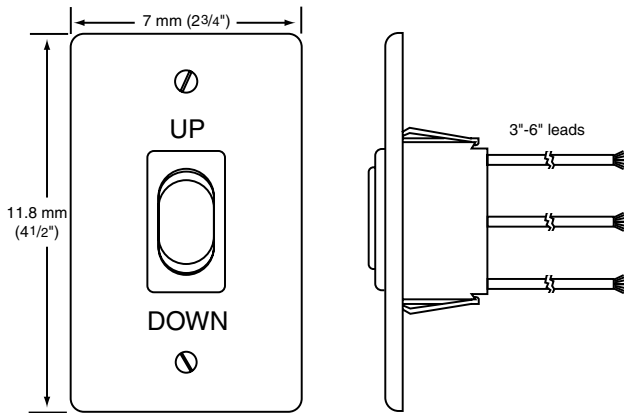


Low Voltage, IR Remote, RF Remote, Serial or Network Control (LVC-IV)

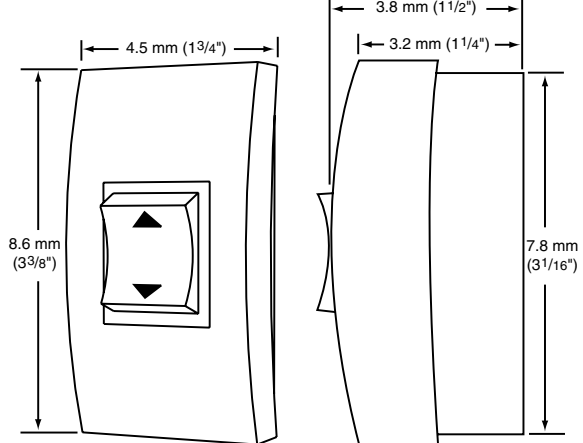


² For more information and wiring diagrams for serial and network communication, please consult wiring diagrams supplied with individual items. Please Note: For serial (LVC-IV) and network (LVC-IV & LS100) wiring diagrams, please consult instructions for those modules. * For more information and wiring diagrams for low voltage multiple motors and network communication, please consult wiring diagrams supplied with individual items.

110-120V 3-Position Wall Switch



220V 3-Position, Surface Mount Wall Switch



PROJECT: _____
 SUPPLIER: _____
 DATE: _____ REVISED: _____