

M-Vision 930 WUXGA 3D

12,000 ANSI Lumens | Contrast Ratio: 5,000:1 (Dynamic Black) 2,000:1 native | Part No:114-259

M-VISION CINE 930 SERIES DIGITAL PROJECTORS

THE VISIONARIES CHOICE



Colour System: 6 Segment RGBYCW Colour Wheel	DMD Specification: 1920 x 1200 pixels native. Fast transit pixels for smooth greyscale and improved contrast.
Display Type: 1 x 0.96" DarkChip™ DMD™	Aspect Ratio: 16x10 Fill Factor 87%

Key Features

Video & Graphics Processing

- HDMI 1.4 for Side by Side, Frame Packing & Top Bottom Formats.
- Dual Flash Processing can be used to multiply the displayed frame rate for 3D sources (example 144Hz display).
- Dual Pipe Processing: Two sources in parallel for Left and Right Eyes.
- Synchronisation of active glasses, DLP® Link™ glasses or polarising switcher.
- High Bandwidth Digital & Analog Receiver with 10 Bit A-D.
- The projector automatically detects interlaced video and implements 3:2 or 2:2 extraction as appropriate, with pixel based, motion adaptive interpolation and auto cadence correction.
- 24p and 1080p native display.

Geometry Correction

- Non-linear Warp adjustment by moving points on an interpolated grid.
- Cornerstone, Vertical & Horizontal Keystone, Pincushion & Barrel, and Image Rotation.
- Blanking control for custom input window sizing.

Edge Blending

- Correction for non-active pixels at the edge of the display.

HDBaseT® Interface

- Built in support for transmission of uncompressed High Definition Video over standard CAT5e/6 LAN cable.
- Allows projector to be placed up to 80m from source with low cost cabling.

Projector Controller Software

- Intuitive user interface for network control
- Simultaneous control of user-defined groups of projectors
- At-a-glance monitoring of projector status
- Warp control.

Source Compatibility:

HDMI including Deep Color™ processing and 3D standards.
Dual Link DVI accepts graphics standards up to 1920 x 1200 at 120Hz.
Graphics standards up to 1920 x 1200 resolution at via DVI, HDMI or VGA.
Component Video (SD and HD) via YPrPb or RGB.

Inputs/Outputs

Video & Computer			Communication & Control		
Type	Connector	Qty	Type	Connector	Qty
HDMI 1.4	HDMI	2	3D Sync Out	BNC	1
DVI - Dual Link DVI-D	DVI	1	3D Sync In	BNC	1
HDBaseT	RJ45	1	LAN	RJ45	1
VGA	15-pin D-Sub	1	RS232	9-pin D Sub	1
Component Video	3 x BNC	1	IR Input	3.5mm Stereo Jack	1
Component Video	3 x RCA	1	12V Trigger	3.5mm Stereo Jack	2
			Service Port	USB Type A	1

NOTE: The LAN port is shared with HDBase-T.

3D Formats Supported

Frame Packing
Dual Pipe
Frame Sequential
Side By Side (half)
Top and Bottom

HDTV Formats Supported

1080p (23.98Hz, 24Hz, 25Hz, 29.97Hz, 30Hz, 50Hz, 59.94Hz, 60Hz), 1080i (50Hz, 59.94Hz, 60Hz), 720p (50Hz, 59.94Hz, 60Hz)

Computer Compatibility

Up to 1920 x 1200

Bandwidth

170 MHz on analog RGB
165 Megapixels per second on HDMI and DVI
297 Megapixels per second on Dual Link DVI

Remote Control

IR Remote Control
On-Board keypad

Automation Control

LAN
RS232

Colour Temperature

User selectable from 5400 to 9300K

Lamp Type

2 x 465W High Intensity Discharge

Typical Lamp Life

1500 hours

Lenses

Lens	Part No.	Focus Range	Lens Shift
0.84 - 1.03 : 1 zoom	114-313	1.5m - 10m	Vert: 0.37 (U) 0.37 (D) frame, Hor: 0.12 (L) 0.12 (R) frame
1.20 - 1.56 : 1 zoom	117-573	1m - 8m	Vert: 0.5 (U) 0.5 (D) frame, Hor: 0.15 (L) 0.15 (R) frame
1.56 - 1.86 : 1 zoom	114-314	2m - 12.4m	Vert: 0.5 (U) 0.5 (D) frame, Hor: 0.15 (L) 0.15 (R) frame
1.85 - 2.40 : 1 zoom	114-315	2.5m - 15.9m	Vert: 0.5 (U) 0.5 (D) frame, Hor: 0.15 (L) 0.15 (R) frame
2.40 - 4.00 : 1 zoom	114-316	4m - 26.6m	Vert: 0.5 (U) 0.5 (D) frame, Hor: 0.15 (L) 0.15 (R) frame
4.00 - 7.00 : 1 zoom	117-463	4m - 42m	Vert: 0.5 (U) 0.5 (D) frame, Hor: 0.15 (L) 0.15 (R) frame

Lens Mount

Motorised shift, zoom and focus.

Mechanical Mounting

Front/Rear Table
Front/Rear Ceiling
Adjustable Front/Rear Feet

Orientation

Table Top or Inverted: Yes
Pointing Up: Yes
Pointing Down: Yes
Roll (Portrait): +/-10° from horizontal

Power Requirements

100 - 240VAC 50/60Hz single phase

Power Consumption

1200W

Thermal Dissipation

3771 BTU/Hour

Fan Noise

48 dBA

Operating/Storage Temperature

Operating Humidity

Operating: 0 to 35C (32 to 95F)
Storage: -20 to 60C (-4 to 140F)

20% to 90% non-condensing

Weight (Chassis Only)

28.6 kg
63.1 lb

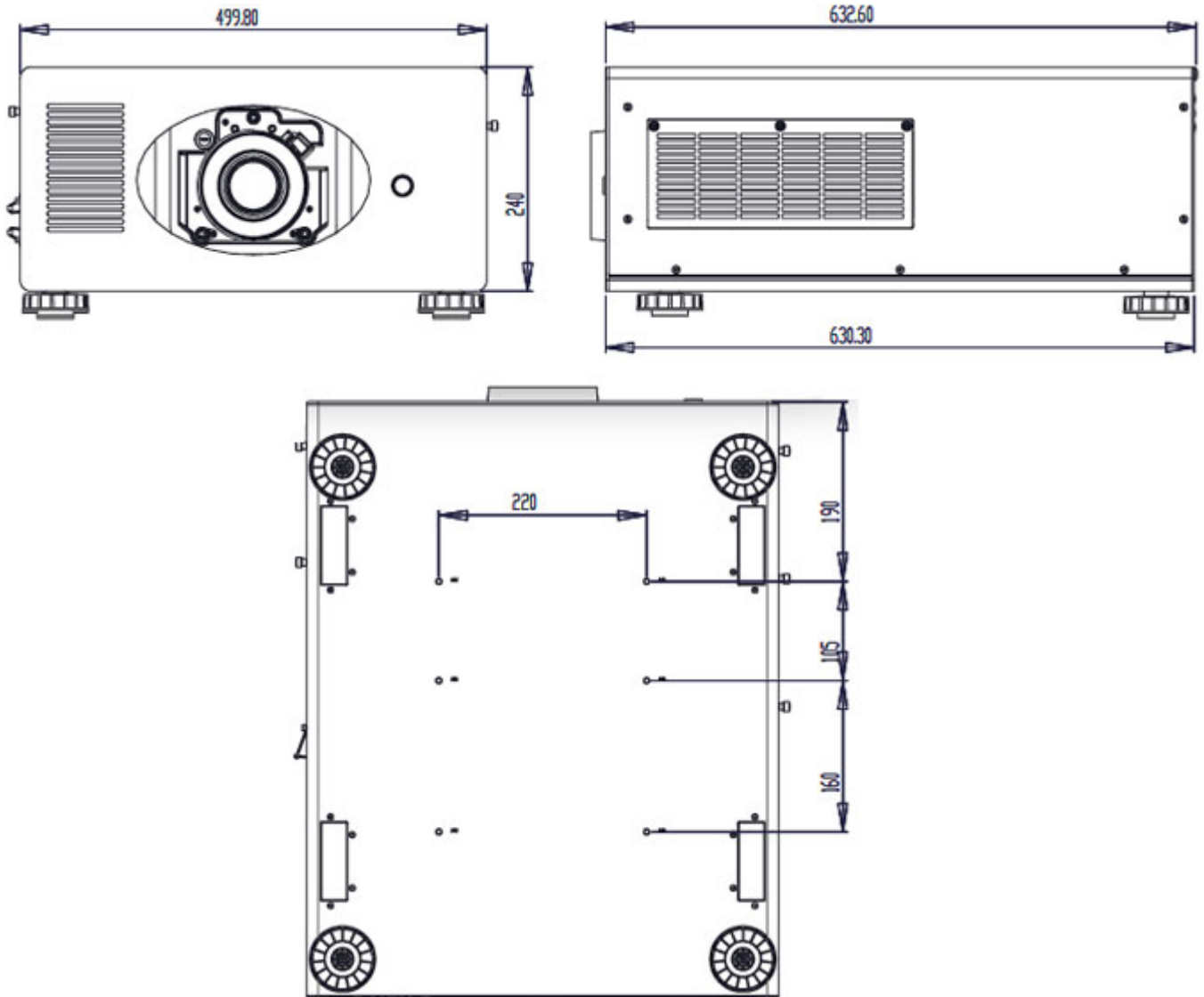
Dimensions

L: 63.2 cm W:50 cm H:24 cm
L: 24.9 in W:19.7 in H:9.4 in

Safety & EMC Regulations

CE, FCC Class A , UL, CCC

**Dimensions included for reference only and are subject to change. Please download the full set of CAD files for this display for more accurate information.*



Downloads

[PDF CAD Drawings](#)

[User Guides](#)

[AUTOCAD Drawings](#)

[Important Information](#)

Specifications subject to change without notice. Digital Projection version: - ©2016 Digital Projection.
DLP®, Digital Light Processing™ and DMD are trademarks of Texas Instruments, Inc

DIGITAL PROJECTION, INC 55 CHASTAIN ROAD, SUITE 115 KENNESAW, GA. 30144
T: 770.420.1350 | F: 770.420.1360 | www.digitalprojection.com

DIGITAL PROJECTION, LTD GREENSIDE WAY, MIDDLETON MANCHESTER, UK. M24 1XX
T: +44.161.947.3300 | F: +44.161.684.7674 | www.digitalprojection.co.uk

DIGITAL PROJECTION, CHINA TOWER C, RM C1202, CAI FU JIA YUAN, NO. 19 XIAO YING STREET, CHAOYANG DISTRICT BEIJING,
PR CHINA 100101
T: +86.10.58239771 | F: +86 10 58239770

DIGITAL PROJECTION, ASIA 16 NEW INDUSTRIAL ROAD, #02-10 HUDSON TECHNOCENTRE SINGAPORE 536204
T: +65.6284.1138 | F: +65.6284.1238