

E-Vision 4500 1080p 3D

4,700 ANSI Lumens | Contrast Ratio: 2,000:1 | Part No:115-131

E-VISION 4500 SERIES DIGITAL PROJECTORS



THE VISIONARIES CHOICE

| | |
|--|--|
| Colour System: 5-segment RYGBW Color Wheel | DMD Specification: 1920 x 1080 pixels native. Fast transit pixels for smooth greyscale and improved contrast. |
| Display Type: 1 x 0.65" DarkChip™ DMD™ | Aspect Ratio: 16x9 Fill Factor 87% |

Key Features

Video & Graphics Processing

- HDMI 1.4 for Side by Side, Frame Packing & Top Bottom Formats.
- Dual Flash Processing can be used to multiply the displayed frame rate for 3D sources (example 144Hz display).
- Synchronisation of active glasses, DLP® Link™ glasses or polarising switcher.
- BrilliantColor™ for increased system brightness.
- Independent control of hue, saturation and gain for primary and secondary colors.
- High Bandwidth Digital & Analog Receiver with 10 Bit A-D.
- The projector automatically detects interlaced video and implements 3:2 or 2:2 extraction as appropriate, with pixel based, motion adaptive interpolation and auto cadence correction.
- 24p and 1080p native display.

Geometry Correction

- Vertical keystone correction.

| |
|--|
| Source Compatibility: HDMI including Deep Color™ processing and 3D standards. DVI with HDCP compliance. Graphics standards up to 1920 x 1200 resolution at 60Hz via HDMI, DVI, DisplayPort or VGA. Component Video (SD and HD) via YPrPb, RGBHV, RGB or RGBS. S-Video (PAL, NTSC & SECAM) Composite Video (PAL, NTSC & SECAM) |
|--|

Inputs/Outputs

| Video & Computer | | | Communication & Control | | |
|----------------------------|-----------------|-----|-------------------------|-------------------|-----|
| Type | Connector | Qty | Type | Connector | Qty |
| HDMI 1.4 | HDMI | 1 | LAN | RJ45 | 1 |
| DVI-D | DVI | 1 | RS232 | 9-pin D Sub | 1 |
| DisplayPort | DisplayPort | 1 | Wired Remote | 3.5mm Stereo Jack | 1 |
| VGA / Analog RGB In | 15-pin D-Sub | 2 | 12V Trigger | 3.5mm Stereo Jack | 1 |
| VGA / Analog RGB Out | 15-pin D-Sub | 1 | Service Port | USB Type B | 1 |
| Component Video | 5 x BNC | 1 | 1.5A USB charge | USB Type A | 1 |
| Component Video | 3 x RCA | 1 | 3D Sync Out | VESA 3-pin | 1 |
| S-Video | 4-pin Mini DIN | 1 | | | |
| Composite Video | RCA | 1 | | | |
| Audio | | | | | |
| VGA Audio In | 3.5mm Mini Jack | 2 | | | |
| VGA Audio Out | 3.5mm Mini Jack | 1 | | | |
| Component Audio Out | 2 x RCA Phono | 1 | | | |
| S-Video/Composite Audio In | 2 x RCA Phono | 1 | | | |

| 3D Formats Supported | HDTV Formats Supported |
|--|---|
| Frame Sequential Top and Bottom Side By Side (half) Frame Packing | 1080p (24Hz, 25Hz, 30Hz, 50Hz, 60Hz), 1080i (50Hz, 60Hz), 720p (50, 60Hz) |

| Computer Compatibility | Bandwidth |
|------------------------|--|
| Up to 1920 x 1200 | 165 MHz on analog RGB 165 Megapixels per second on HDMI and DVI |

| Remote Control | Automation Control |
|---|--------------------|
| IR remote control, wireless and wired. On-Board keypad | RS232 LAN |

| Colour Temperature |
|--------------------|
| User selectable |

| Lamp Type | Typical Lamp Life |
|-------------------------------|---|
| 370W High Intensity Discharge | Full Power: 1500 hours Eco Mode : 3500 hours |

| Lenses | | | |
|---------------------|----------|---------------|---|
| Lens | Part No. | Focus Range | Lens Shift |
| 0.77: 1 fixed | 114-785 | 0.4m - 3.1m | Vert: 0.55 (U) 0.15 (D) frame, Hor: 0.05 (L) 0.05 (R) frame |
| 1.1 - 1.3: 1 zoom | 116-207 | 1m - 9m | Vert: 0.55 (U) 0.15 (D) frame, Hor: 0.05 (L) 0.05 (R) frame |
| 1.54 - 1.93: 1 zoom | 114-783 | 0.95m - 11.9m | Vert: 0.55 (U) 0.15 (D) frame, Hor: 0.05 (L) 0.05 (R) frame |
| 1.93 - 2.91: 1 zoom | 114-784 | 1.2m - 29.8m | Vert: 0.55 (U) 0.15 (D) frame, Hor: 0.05 (L) 0.05 (R) frame |
| 3.0 - 5.0: 1 zoom | 116-208 | 3m - 20m | Vert: 0.55 (U) 0.15 (D) frame, Hor: 0.05 (L) 0.05 (R) frame |

| Lens Mount |
|-----------------------------|
| Manual shift, zoom & focus. |

| Mechanical Mounting | Orientation |
|--|---|
| Front/Rear Table Front/Rear Ceiling Adjustable Front/Rear Feet | Table Top or Inverted: Yes Pointing Up: Yes - Tilt Lamp required. Pointing Down: Yes Roll (Portrait): +/-10° from horizontal |

| Power Requirements | Power Consumption |
|---------------------------------|-------------------|
| 100-240VAC 50/60Hz single phase | 450W |

| Thermal Dissipation | Fan Noise |
|---------------------|--------------------|
| 1415 BTU/Hour | 42 dBA, Eco 37 dBA |

| Operating/Storage Temperature | Operating Humidity |
|---|--------------------------|
| Operating: 5 to 35C (41 to 95F) Storage: -10 to 60C (14 to 140F) | 10 to 85% non-condensing |

Weight (Chassis Only)

8.6 kg
19 lb

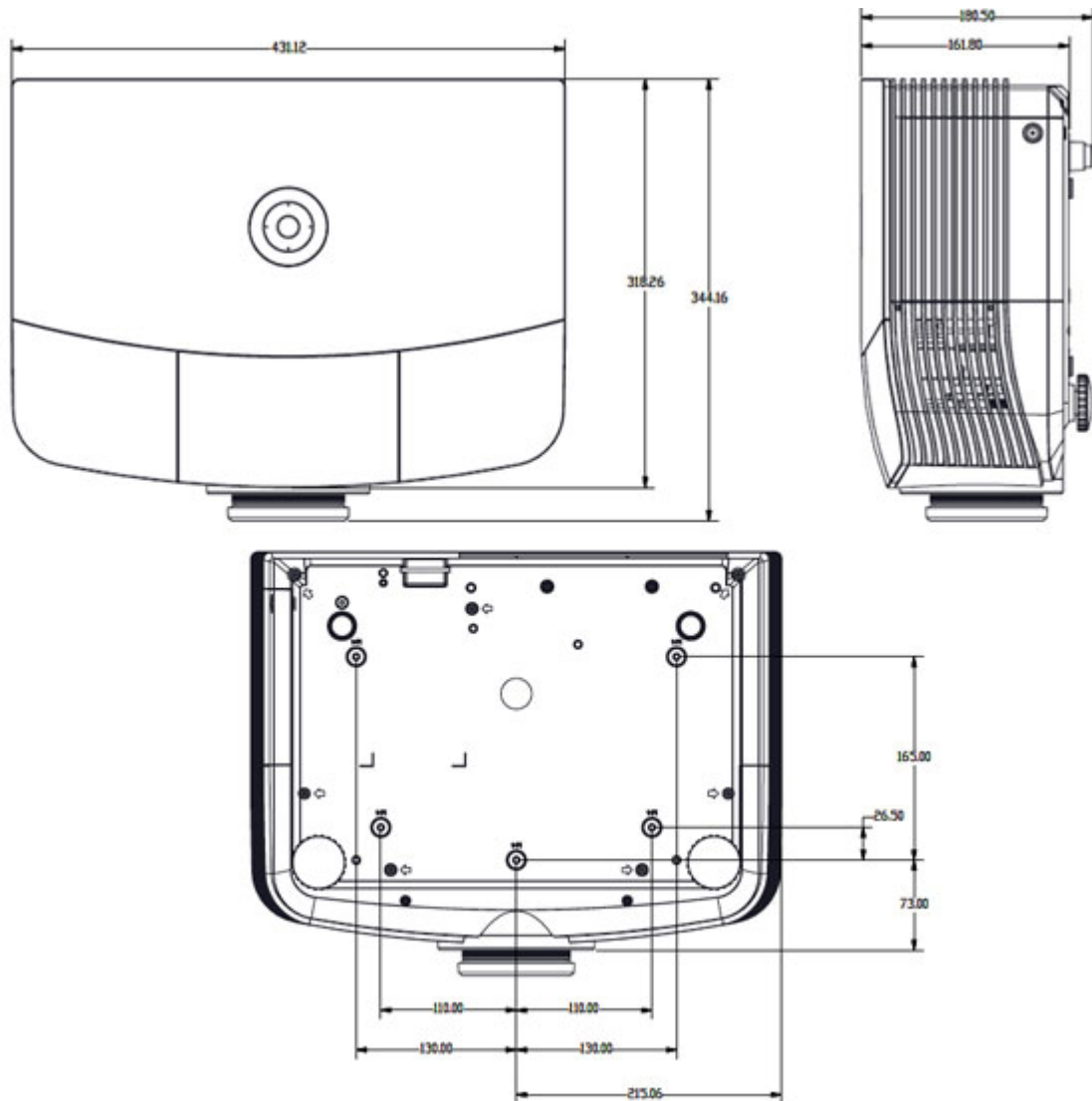
Dimensions

L: 34.4 cm W: 43.1 cm H: 18.1 cm
L: 13.55 in W: 16.97 in H: 7.13 in

Safety & EMC Regulations

FCC Class B, cUL, UL, CE, C-tick, CCC, KC, CB, PCT

**Dimensions included for reference only and are subject to change. Please download the full set of CAD files for this display for more accurate information.*



Downloads

[PDF CAD Drawings](#)

[User Guides](#)

[AUTOCAD Drawings](#)

[Important Information](#)

Specifications subject to change without notice. Digital Projection version: 1.1 - 29-Nov-12 ©2016 Digital Projection. DLP®, Digital Light Processing™ and DMD are trademarks of Texas Instruments, Inc

DIGITAL PROJECTION, INC 55 CHASTAIN ROAD, SUITE 115 KENNESAW, GA. 30144
T: 770.420.1350 | F: 770.420.1360 | www.digitalprojection.com

DIGITAL PROJECTION, LTD GREENSIDE WAY, MIDDLETON MANCHESTER, UK. M24 1XX
T: +44.161.947.3300 | F: +44.161.684.7674 | www.digitalprojection.co.uk

DIGITAL PROJECTION, CHINA TOWER C, RM C1202, CAI FU JIA YUAN, NO. 19 XIAO YING STREET, CHAOYANG DISTRICT BEIJING, PR CHINA 100101
T: +86.10.58239771 | F: +86 10 58239770

DIGITAL PROJECTION, ASIA 16 NEW INDUSTRIAL ROAD, #02-10 HUDSON TECHNOCENTRE SINGAPORE 536204

T: +65.6284.1138 | F: +65.6284.1238