

## Overview

---

The DXL1K is a column-type powered speaker with a slim body and powerful sound. It can be used as the main speaker in a compact PA system, and is also perfect for use as an extension of a STAGEPAS 1K mkII system.



## Features

---

- 1100 W power output
- Biggest in the class 12-inch subwoofer for low frequency
- 1.5-inch x 10 slim line array speaker for high frequency
- Easy-to-use 2-Channel Mixer
- Link in/out for expanding system
- Dedicated cover included
- Optional dolly (DL-SP1K) for more portability

## Specifications

### General Specifications

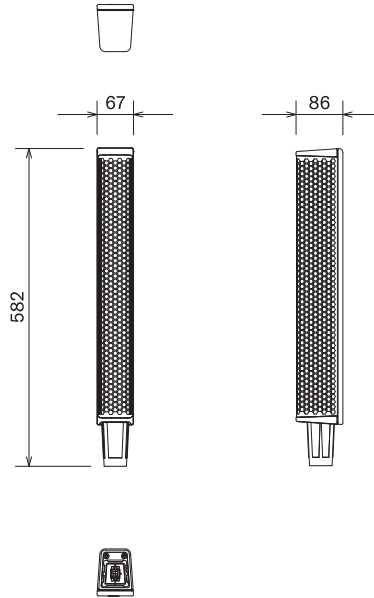
Speaker Type	Powered subwoofer with a line array speaker	
Frequency Range (-10 dB)	37 Hz - 20 kHz	
Coverage Area	H170° x V30°	
Crossover	240 Hz	
Maximum Output Level (1 m; on axis)	125 dB SPL	
Components	LF	Powered subwoofer: 12" (30 cm) Cone
	HF	Line array speaker: 1.5" (3.8 cm) Cone x 10
Amplifier Class	Class-D	
Power Rating	Dynamic	1100 W
Power Consumption	25 W (Idle), 91 W (1/8 power)	
Power Requirements	Depending on area of purchase: 100 V 50 Hz/60 Hz, 110 V - 120 V 60 Hz, 220 V - 240 V 50 Hz/60 Hz	
Processors	MODE (SPEECH/MUSIC/CLUB)	
I/O Connectors	INPUT1: Combo x 1 (mic/line), INPUT2: Combo x 1 (line), LINK IN: XLR x 1, LINK OUT: XLR x 1	
Handle	Top of powered subwoofer x 1	
Dimensions (W x H x D)	System: 334 mm x 2,000 mm x 418 mm (maximum)	
	Line array speaker: 67 mm x 582 mm x 86 mm	
	Powered subwoofer: 334 mm x 550 mm x 418 mm	
	Spacer: 67 mm x 555 mm x 86 mm (each)	
Weight	System: 23.0 kg (maximum)	
	Line array speaker: 1.8 kg	
	Powered subwoofer: 20.0 kg	
	Spacer: 0.6kg (each)	
Accessories	Power cord x 1, Cover x 1	
Options	DL-SP1K (dedicated dolly)	

**Dimensions**

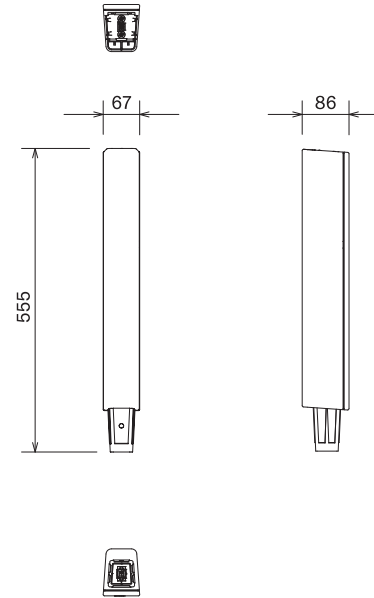
**1/2**

Unit: mm

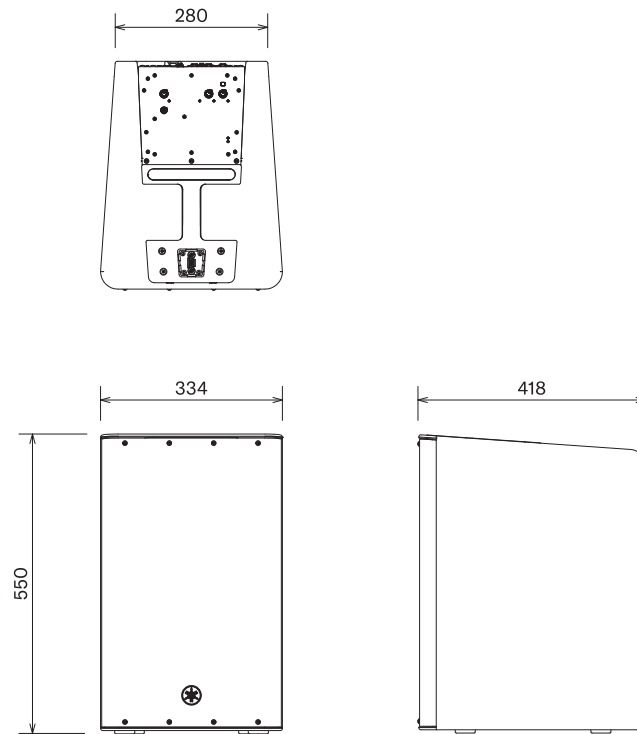
**Speaker Array**



**Spacer**



**Subwoofer**

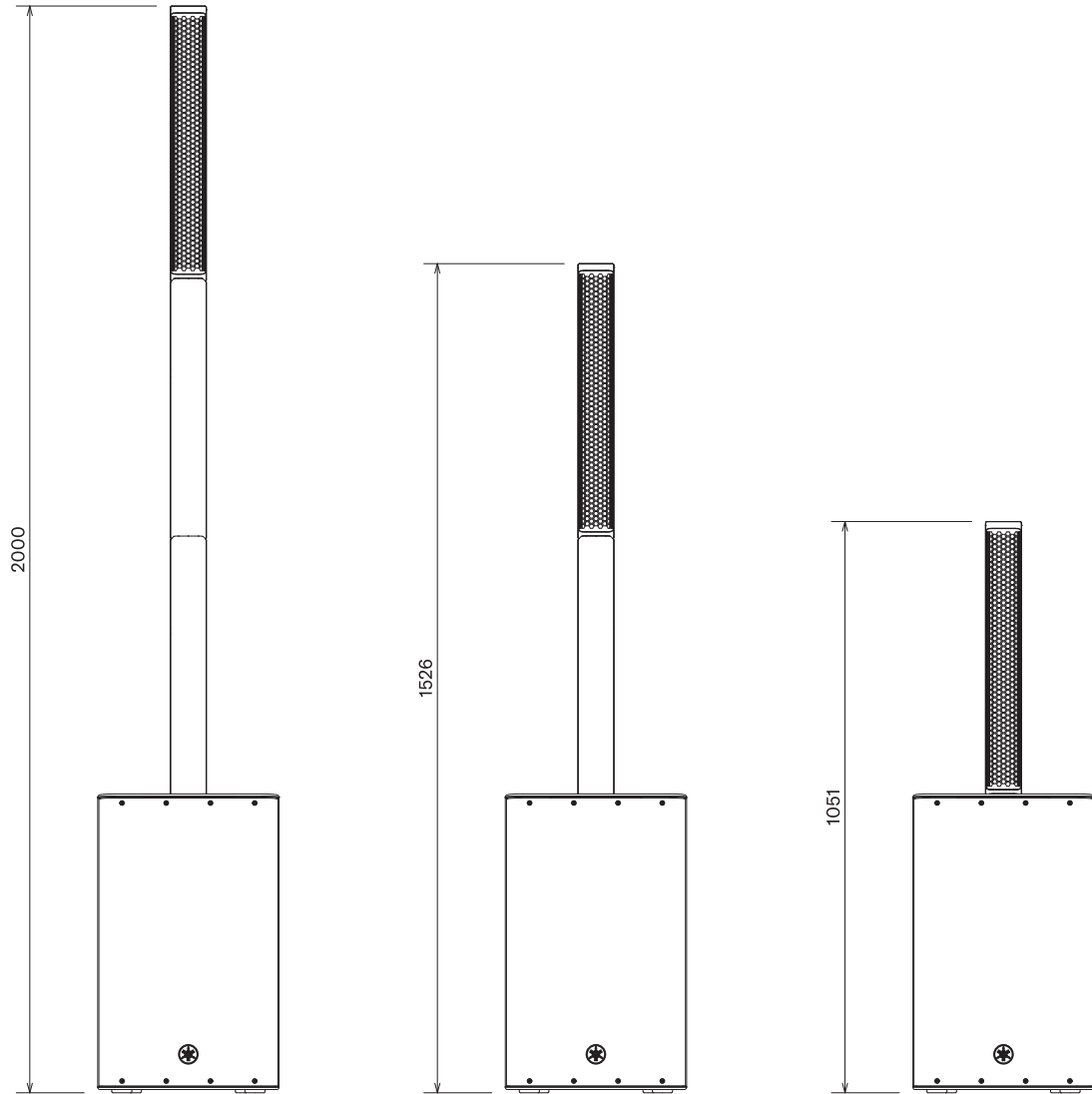


**Dimensions**

**2/2**

Unit: mm

**System**



**Option**

- Dolly DL-SP1K

## Architectural and Engineering Specifications

---

The Yamaha DXL1K shall be a powered speaker system designed for live music and events. The DXL1K shall integrate a powered subwoofer and line-array loudspeaker with built in amplification and input facilities.

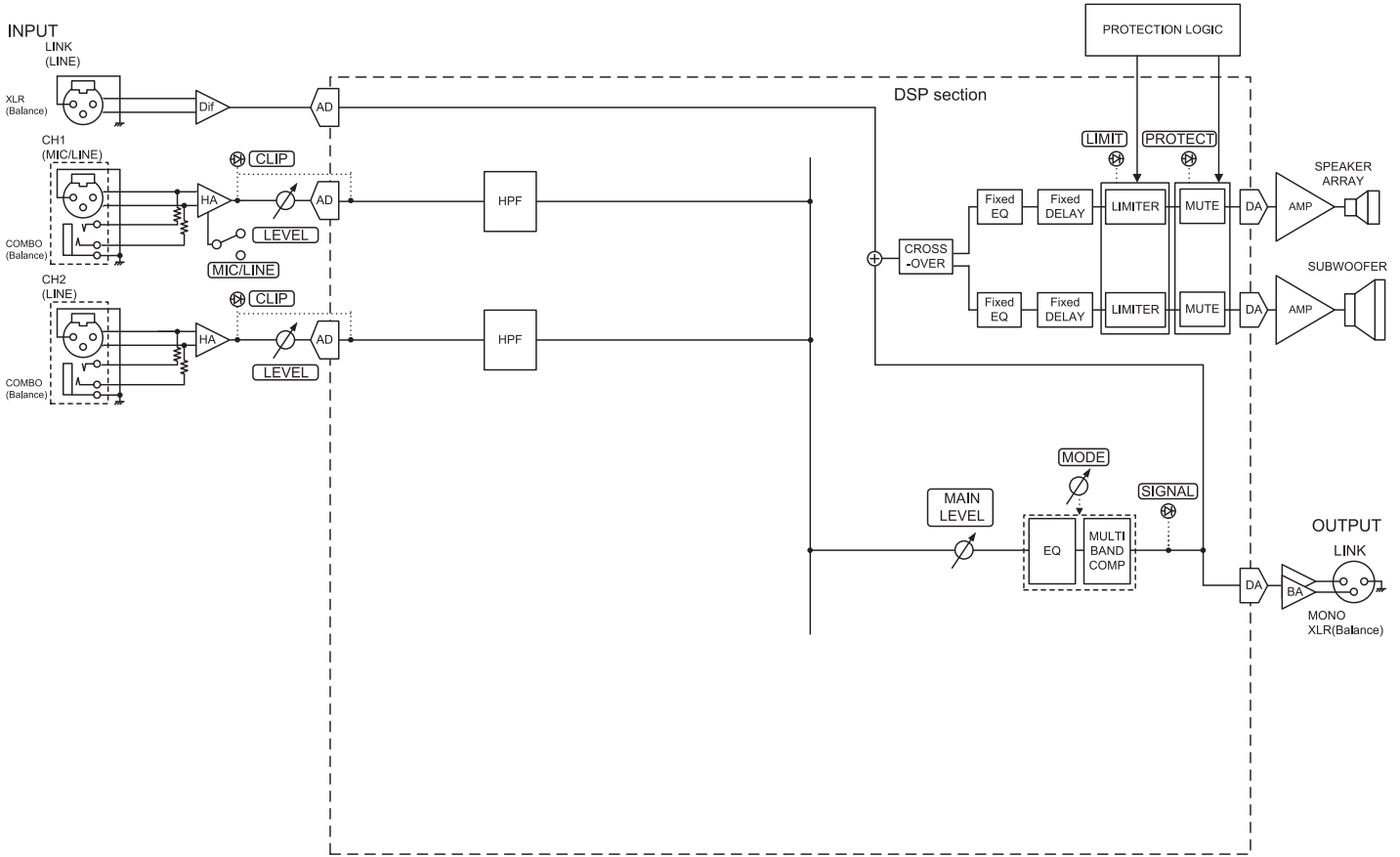
The DXL1K shall have two input channels that are capable of receiving input either directly from a microphone and one other line source, or from an external audio mixer. Both input channels shall have LEVEL controls and CLIP indicators. Channel 1 shall additionally have a MIC/LINE switch that allows switching between microphone and line level input. The MAIN (master) section shall include a LEVEL control, a LIMIT indicator, and a MODE control that optimizes output for a variety of environments.

The DXL1K shall provide balanced XLR/TRS combo connectors for input to channels 1 and 2. An XLR type LINK INPUT shall be provided to receive the output from a second DXL1K system, compatible STAGEPAS system, or compatible mixing console when two systems are to be used in LINK mode. Main and LINK output shall be delivered via an XLR OUTPUT connector. The amplifier section shall be an efficient class-D type capable of delivering 1100 watts rated output.

The DXL1K loudspeaker system shall include a bass-reflex subwoofer with a 12-inch cone transducer and a line array speaker comprising ten 1.5-inch cone transducers. The loudspeakers shall meet the following performance criteria: Maximum SPL shall be 125 dB at 1 meter, frequency response shall be 37 Hz to 20 kHz at 10 dB below rated sensitivity, and nominal coverage angle shall be 170° horizontal and 30° vertical. The crossover frequency shall be 240 Hz.

The DXL1K subwoofer and amplifier shall be built into an integrated base unit onto which the line-array speaker shall be mountable either directly or via supplied spacers. The DXL1K system shall be supplied with two spacers for the line-array speaker, a power cord, and cover. A dolly shall be available as an option. Overall system dimensions shall be 334 (W) x 2000 (H) x 418 (D) mm. Total system weight shall be 23.0 kg.

## Block Diagrams



\*All information subject to change without notice.

\*All trademarks and registered trademarks are property of their respective owners.

Created in July, 2022

YAMAHA CORPORATION  
 P.O.BOX 1, Hamamatsu Japan  
[www.yamaha.com/proaudio/](http://www.yamaha.com/proaudio/)