

PAM-510/520



ATT. ZONE AMPLIFIER



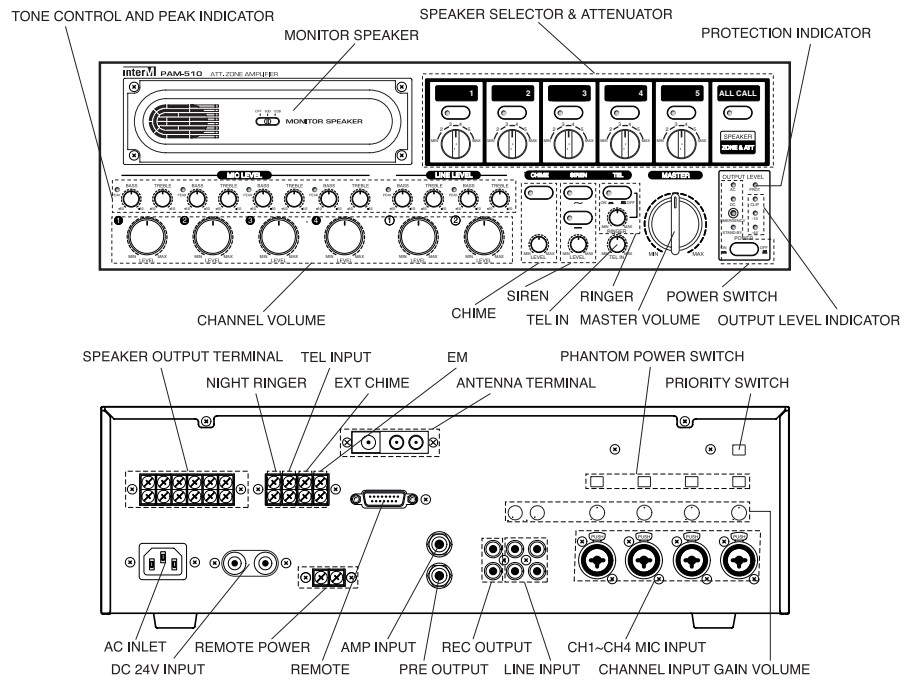
FEATURES

- 5 individually selectable speaker zones with All Call
- REMOTE POWER
Turn on/off amplifier by remote control.
- Emergency Announcement based on alarm input
- MONITOR SPEAKER
You can monitor output signal by using the monitor speaker, and can control the monitor level on front panel by 3 step lever switch.
- Single-cycle multi-tone chime
- Wired remote control for external amps and chime
- SELECTABLE PRIORITY MUTING
MIC1, Siren, Chime, Ringer, Telephone input, Remote amp
- OPTIONAL MODULAR SIGNAL SOURCES
CD Player, Cassette Deck, AM/FM Tuner.
- INDIVIDUAL INPUT GAIN CONTROLS
Rear-panel gain controls for each input channel for total control of individual levels.

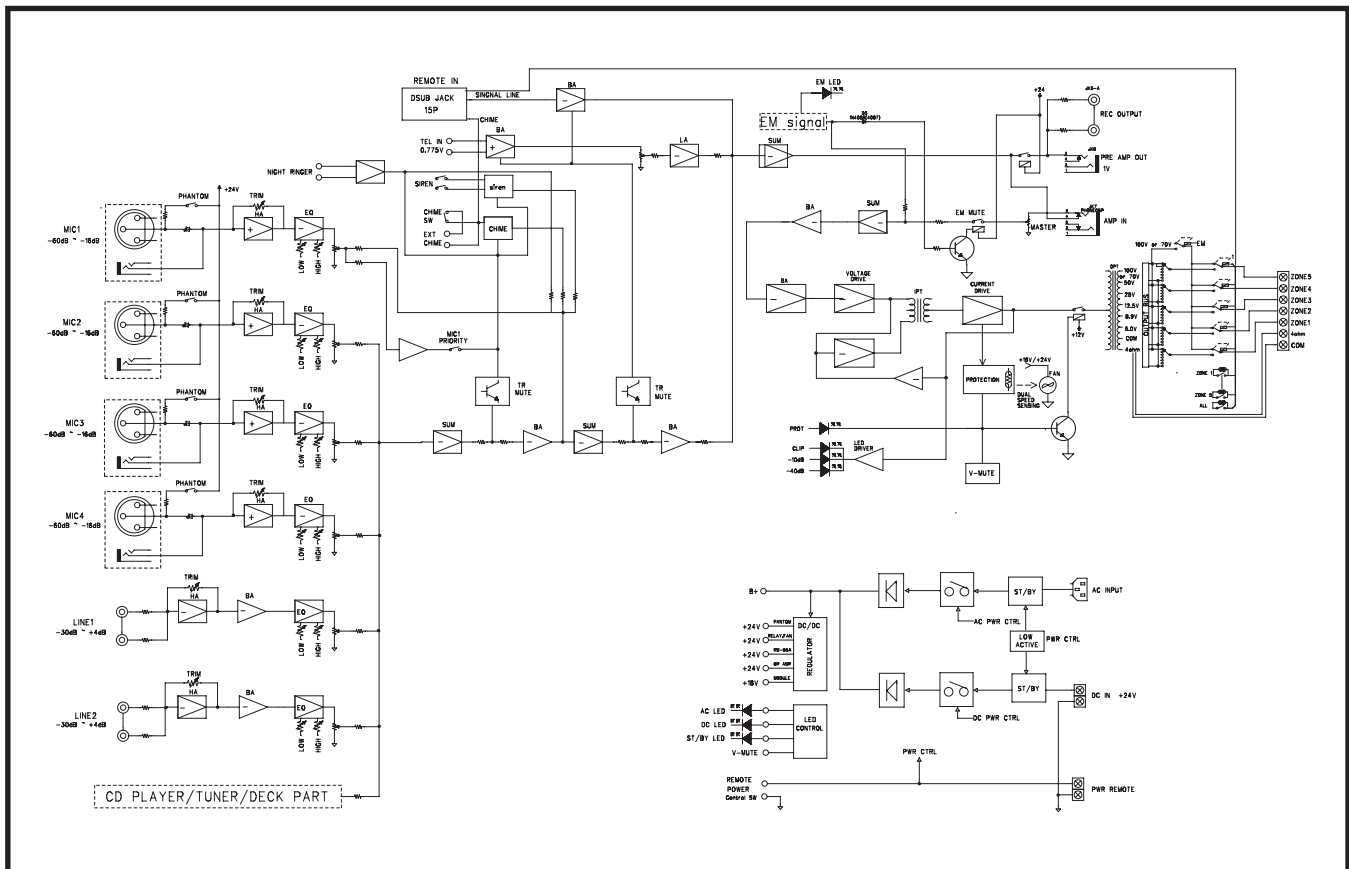
SPECIFICATIONS

- ELECTRICAL *0dBV=1Vrms
 - Amplifier Section(Amp In@1kHz, 4Ω Load Output)
 - Rated Output Power(THD 1%) PAM-510:120W(RMS)
 - PAM-520:240W(RMS)
 - Speaker Zone 1~5 Output PAM-510:25W MAX
 - PAM-520:50W MAX
 - Input Sensitivity/Impedance 1V/20kΩ
 - S/N Better than 85dB
 - Frequency Response(at 1kHz Half Power Output, ±3dB) 80Hz-18kHz
 - Mic Input Section(Mic 1~4 In@1kHz, Preamp Out)
 - Input Sensitivity/Impedance -60dBV/600Ω
 - S/N Better than 55dB
 - Frequency Response(±3dB) 120Hz-10kHz
 - Tone Control(Bass:100Hz, Treble:10kHz) ±12dB
 - Pantom Power +24V
 - Line Input Section(Line 1~2 In@1kHz, Preamp Out)
 - Input Sensitivity/Impedance -30dBV/10KΩ
 - S/N Better than 65dB
 - Frequency Response(±3dB) 80Hz-15kHz
 - Tone Control(Bass:100Hz, Treble:10kHz) 12dB
 - Remote Amp Section(Remote In@1kHz, Preamp Out)
 - Mic Input Sensitivity/Impedance -60dBV/600Ω
 - S/N Better than 55dB
 - Frequency Response(±3dB) 120Hz-10kHz
 - Tel In Section(Tel In@1kHz, Preamp Out)
 - Input Sensitivity/Impedance 0.775V/600Ω
 - S/N Better than 65dB
 - Frequency Response(±3dB) 330Hz-3kHz
 - Pre Amp Output(Mic 1~4, Line 1~2, Tel In, Remote In) 0dBV/600Ω
 - T.H.D. Less than 0.5%
 - Record Output -10dBV/3k
- GENERAL
 - Power Source 100~120VAC or 220~240VAC; 50/60Hz, 24VDC
(supplied AC mains transformer depends on local requirements)
 - Power Consumption(1/8Power) PAM-510:180W
 - PAM-520:320W
 - Weight PAM-510:17kg/37.6lb, PAM-520:19kg/42lb
 - Dimensions 482(W)x132(H)x398(D)mm
 - 19(W)x5.2(H)x15.7(D)in

PAM-510/520



BLOCK DIAGRAM



OFFICE : 653-5 BANGHAK-DONG, DOBONG-KU, SEOUL, KOREA TEL : 82-2-2289-8140~8, FAX : 82-2-2289-8149

Home page : <http://www.inter-m.com>

E-mail : export@inter-m.com

9027103900