



- Convenient in-line plug
- Three-position in-line switch
- Vutec EMS™ (EZ-Mounting System) included
- One-person installation—can be adjusted after mounting
- Wall or ceiling mounted
- 1" Vertical black borders
- Matte white or gray screen surface
- 6" of black leader
- Heavy duty aluminum housing with choice of black or white finish
- Available in 110 Volt or 220 Volt for export

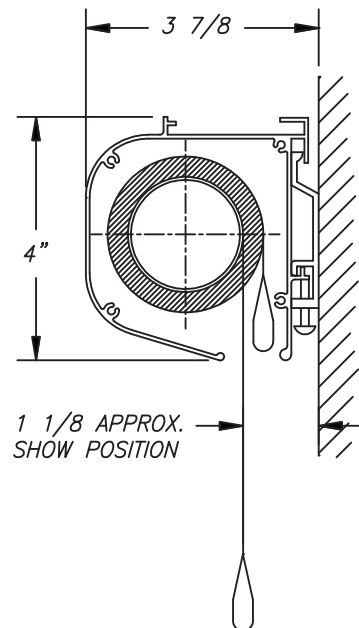
Optional

- IR — infrared remote control
- RF — radio frequency remote control
- Low voltage universal relay

Elegante is a high-quality competitively priced motorized screen

Model	Diagonal	Viewing Area (nominal)	Shipping Dim. (approx)	Shipping Wt. (approx)
4:3 Video Format				
01-EL4357	72"	43.25" x 57.5"	73" x 4" x 4"	20 lbs.
01-EL5067	84"	50.5" x 67.25"	83" x 4" x 4"	28 lbs.
01-EL6080	100"	60" x 80"	95" x 4" x 4"	30 lbs.
01-EL7296	120"	72" x 96"	111" x 4" x 4"	35 lbs.
16:9 HDTV Format				
01-EL4070	80"	40" x 70"	85" x 4" x 4"	28 lbs.
01-EL4580	92"	45" x 80"	95" x 4" x 4"	30 lbs.
01-EL5090	103"	50.5" x 89.75"	105" x 4" x 4"	33 lbs.
01-EL5496	110"	54" x 96"	111" x 4" x 4"	35 lbs.

MADE IN U.S.A.



For assistance in specifying the proper Eleganté screen for your application, contact Vutec Sales at (800) 770-4700