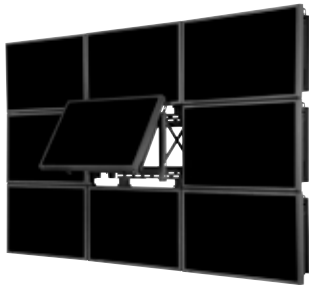


DS-VW765-LAND

Full-Service Video Wall Mount

For 40" to 65" Displays

Video walls should be easy to configure, quick to install, and a snap to maintain. No, it's not a dream, it's the DS-VW765-LAND Full-Service Video Wall Mount from Peerless-AV. Create any configuration imaginable, but leave the tedious calculations to the custom wall plate spacers. Just install the first mount. Then use the custom wall plate spacers to perfectly place each additional mount on the wall. No measuring, no guessing, no mistakes. It couldn't be simpler. The innovative design combined with a mount that is ready-to-install right out of the box makes this the fastest installing video wall system ever. Now in a design that is 20% lighter than previous models and loaded with time saving features like no-tool-required micro-adjustments and easy-access to any display for quick serviceability it's the ultimate video wall mounting solution.



TV size: 40"-65"



Max load: 125lb (56.8kg)

FEATURES

- Modular mount for unlimited video wall display configurations
- Custom wall plate spacers eliminate the guesswork and on-site installation calculations
- Tool-less micro-adjustments at 8 points seamlessly align the displays
- Displays click securely into place against the wall with spring-loaded mechanism
- Displays and mounts sit flush against the wall for a clean side appearance
- Pull-out/prop-open mechanism provides quick service access
- Integrated cable management tie-backs make display-to-display cabling simple
- Included security hardware prevents the mount from extending out from the wall
- Adjustable VESA® mounting hole patterns in 100mm increments, starting at 200 x 200mm up to 700 x 400mm, additional patterns supported with adapter plates

■ **NO TEDIOUS CALCULATIONS NO GUESSWORK**
 Custom wall plate spacers eliminate the guesswork and on-site installation calculations

■ **EASY PULL-OUT SERVICE ACCESS**
 Easy-to-use pull-out/prop-open mechanism provides quick service access; spring-loaded mechanism securely clicks the display back into place



■ **OPEN WALL PLATE ARCHITECTURE**
 Allows for total wall access that increases electrical and cable management options

■ **NO TOOLS REQUIRED FOR MICRO-ADJUSTMENT**
 Simple, tool-less micro-adjustments at 8 points seamlessly align the displays

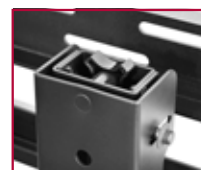
■ **CLEAN LOOK**
 Integrated cable management tie-backs make display-to-display cabling easier



Single Unit with Display



Full-Service Access



Tool-less Micro Adjustments



Wall Plate Spacers (Sold separately)



RoHS 2002/95/EC

MADE IN USA

CLICK: peerless-av.com

CALL: 800.865.2112

FAX: 800.359.6500

peerless-AV®

Model Numbers

WARRANTY: Limited 5-year

DS-VW765-LAND Full-Service Video Wall Mount for 40" to 65" Displays

Product Specifications

	DIMENSIONS (W x H x D)	PRODUCT WEIGHT	LOAD CAPACITY	FINISH	AVAILABLE COLORS
DS-VW765-LAND	35.04" x 20" x 3.08"-3.83" (890 x 508 x 78-97mm)	35lb (15.9kg)	125lb (56.8kg)	Scratch resistant fused epoxy	Black

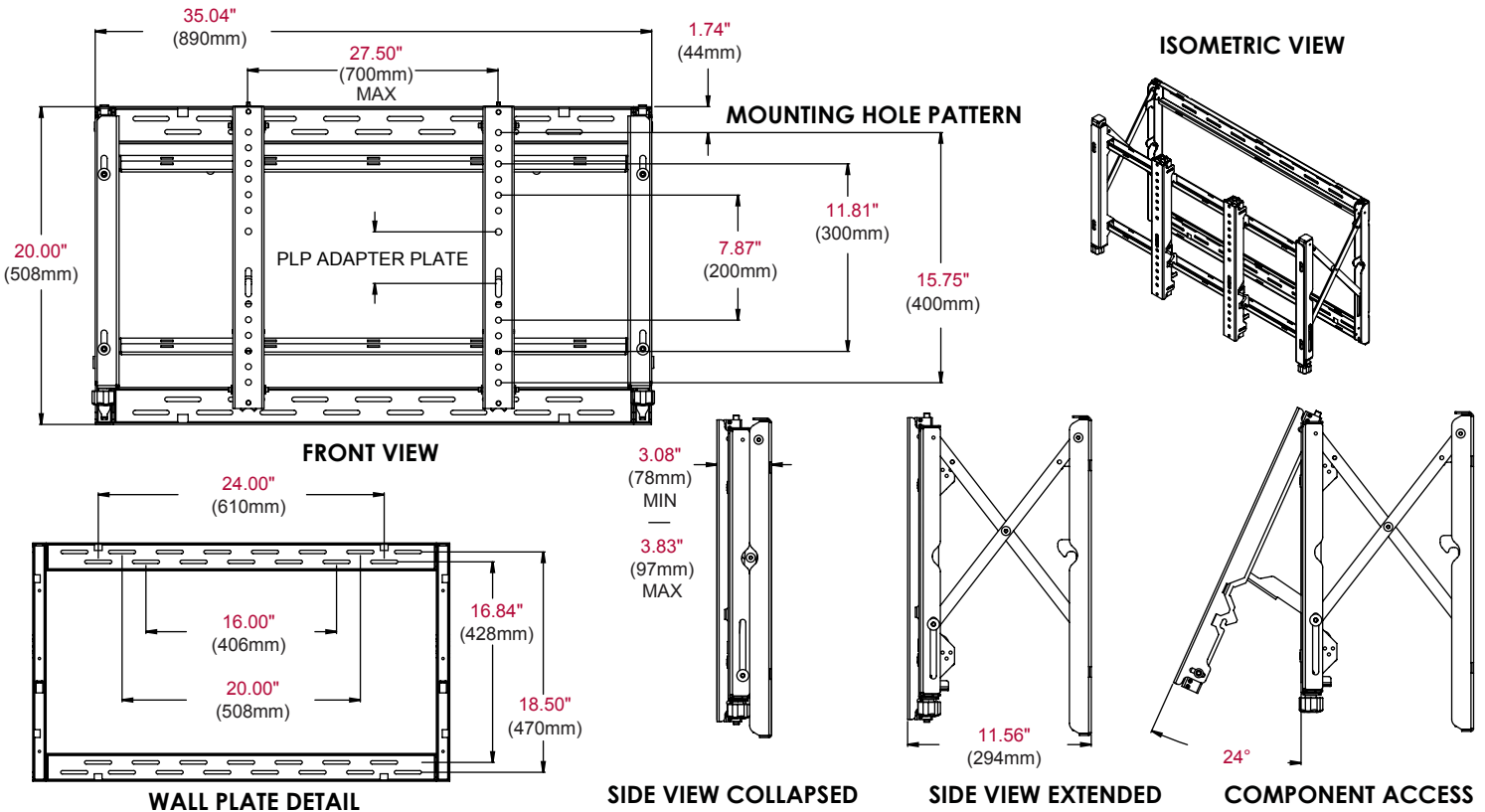
Package Specifications

	PACKAGE SIZE (L x W x H)	PACKAGE SHIP WEIGHT	PACKAGE UPC CODE	PACKAGE CONTENTS	UNITS IN PACKAGE
DS-VW765-LAND	38" x 24" x 5" (956 x 609 x 127mm)	38lb (17.25kg)	735029278771	Wall mount assembly, mounting attachment rails, fasteners	1

Accessories

- DS-VWS###:** Wall Plate Alignment Spacers
- DS-ACC765:** Cable Release Kit

All dimensions = inch (mm)



ARCHITECTS SPECIFICATIONS

The Full-Service Video Wall Mount shall be Peerless-AV model DS-VW765-LAND and shall be located where indicated on the plans. It shall be constructed of heavy gauge steel. The finish shall be scratch resistant black fused epoxy. Assembly and installation shall be done according to instructions provided by the manufacturer.

Peerless Industries, Inc. ■ 2300 White Oak Circle ■ Aurora, IL 60502 ■ (800) 865-2112 ■ (630) 375-5100 ■ Fax: (800) 359-6500 ■ peerless-av.com

Visit www.peerless-av.com to see the complete line of AV solutions from Peerless-AV, including flat panel mounts, projector mounts, carts/stands, furniture, cables, screen cleaners and a full assortment of accessories.