



AcousticDesign™ Series AD-C.SAT

2.75-inch small format ceiling
satellite loudspeaker

Features

- Consistent tonal characteristics across the entire AcousticDesign Series for surface, ceiling, and pendant applications
- Refined depth and clarity even at low volume settings
- Mix-and-match capable, any subwoofer works with any satellite in the AD Series SUB/SAT line
- Inverted aluminum dome dust cap
- Rated at 16 Ω
- Snap-fit magnetic grill
- Locking 2-pole Euroblock style connectors
- Removable conduit cover plate
- Removable logo
- 2x long travel dog-ear blind mount system
- Intrinsic Correction™ voicings available via Q-SYS Platform including CXD-Q Series amplifiers
- Available in black (RAL 9011) or white (RAL 9010)
- Complete EASE, CF2, CAD, & BIM information available online
- UL1480 and UL2043 certified

Certified for

Microsoft Teams

AD-C.SAT



Background Music Applications • Retail • Restaurants • Coffee Shops • Fine Dining • Hospitality • Commercial Spaces

The QSC AD-C.SAT is part of the AcousticDesign™ Series SUB/SAT loudspeaker line which are ideally suited for background music applications that require refined depth and clarity even at lower volume settings.

The AcousticDesign Series offers integrators a premium quality installed sound solution where performance, consistent coverage, and aesthetics are paramount. Specifically designed to maintain a consistent tonal characteristic across the entire family in ceiling, surface, and pendant enclosures, the AcousticDesign Series allows integrators seamless transitions within blended installations.

The AcousticDesign Series SUB/SAT loudspeakers have been specifically designed to be mix-and-match capable. Any combination of satellites may be paired with any subwoofer in the SUB/SAT line.

The AD-C.SAT features a high quality 2.75-inch weather treated paper cone woofer with an inverted aluminum dust cap for extended high frequency presence within a sealed enclosure.

These loudspeakers are rated at 16 Ω , and up to four satellites may be connected to any AcousticDesign Series SUB/SAT subwoofer's high-pass filtered outputs. Satellites also may be used as stand-alone loudspeakers using an external high-pass filter.

The input is located behind a removable conduit cover plate with captive screws to prevent loss during installation and uses a locking 2-pole Euroblock style connectors capable of 12AWG (2 mm) wire thickness.

To retain their stylish aesthetics, the rugged ABS baffle is further protected by using UV inhibitors that prevent discoloration and by a powder coated steel back can. The magnetic grille features a stick-on logo that can be removed blemish-free for installations where branding is not permitted.

Installers will appreciate the 2x, long travel dog-ear blind mounting system, which captures from 0 - 1.75 inches of ceiling thickness.

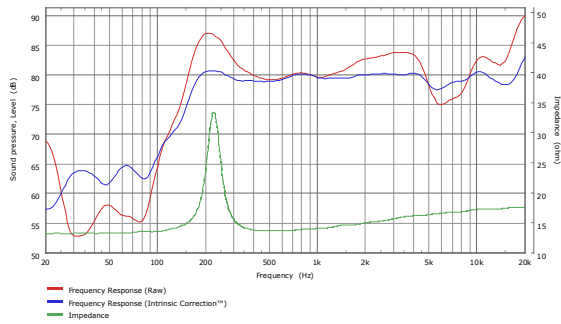
Intrinsic Correction™ voicings that optimize performance and speed the install process are easily deployed via the MP-M Series music and paging mixers as well as Q-SYS Platforms including CXD-Q Series amplifiers, as part of a complete QSC systems solution.

The AD-C.SAT is available in QSC standard black (RAL 9011) or white (RAL 9010) and may be painted to match any decor.

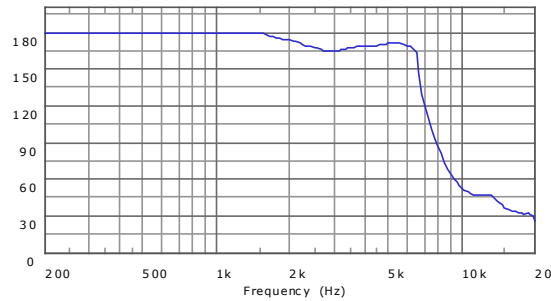
For your system integration needs, complete EASE, CF2, CAD, and BIM files will be available for download at QSC.com.

AD-C.SAT Details

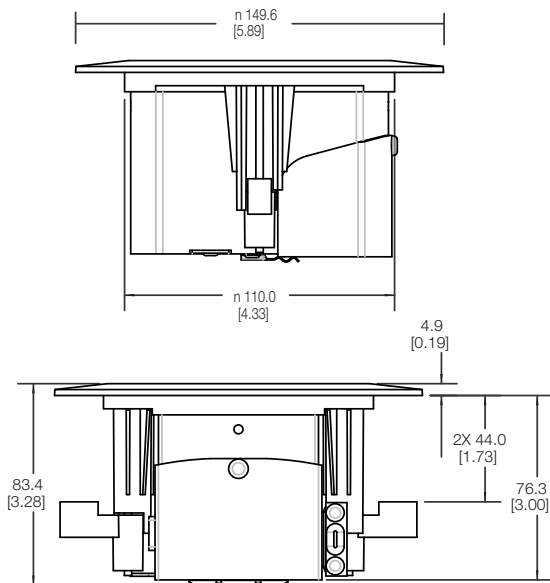
Sound pressure, Level



Beamwidth



Dimensions



Specifications

System Details	AD-C.SAT
LF transducer	N/A
HF transducer	2.75 in (70 mm) weather treated paper cone woofer
Effective frequency range ^{1,2,3,7}	120 Hz – 20 kHz
Rated noise power / voltage ⁵	25 W / 20 V (rms)
Sensitivity [dB] (rated @1 W, 1 m) ⁴	83
Coverage (-6 dB) ^{2,7,8,9}	170° Conical
Directivity index [dB] ^{2,7,8,9}	4.4
Directivity factor ^{2,7,8,9}	2.75
Maximum SPL [dB] (continuous / peak) ⁶	97 / 100 / 103
Recommended amplifier	25 W per satellite (with 1st order high-pass filter at 200 Hz)
Impedance	16 Ω
Connector	2-pole Euroblock connectors
Enclosure material	Stamped steel, injection-molded ABS baffle
Grille material	Stamped steel, perforated, and powder-coated
Ingress protection	IP-34
Operating environment	Designed for indoor use
Operating temperature range	-4 to 122° F (-20 to 50° C)
Cutout dimension	Ø 4.5 in (Ø 115 mm)
Net weight	1.39 lb (630 g)
Product dimensions (Ø x H)	Ø 5.9 x 3.3 in (Ø 149.6 x 83.4 mm)
Shipping weight (pair packed)	5.1 lb / 2.3 kg
Shipping dimensions (H x W x D) (pair packed)	15 x 9.3 x 3.8 in (382 x 237 x 97 mm)
Shipping weight (master carton , 2 pairs)	10.9 lb / 5 kg
Shipping dimensions (H x W x D) (master carton, 2 pairs)	15.5 x 10 x 8.5 in (394 x 254 x 216 mm)
Included accessories	C-ring, Euroblock connector, cut-out template, grill (pair packed)
Safety agency	UL1480, UL2043, NFPA90, NFPA70 suitable for use in air handling spaces. ROHS, CE compliant. Baffle meets UL94-V0 and UL94-5VB flammability rating; in accordance with IEC60849 / EN60849 systems.

Footnotes:

- 1) -10 dB from rated sensitivity
- 2) Anechoic chamber, half-space, 4 V, 1 m
- 3) Reference axis
- 4) From Thiele-Small parameters @ 4 V, 1 m
- 5) IEC, 2hrs, 16 ohm nominal, rated noise power [W], rated noise voltage [Vrms]
- 6) Calculated from rated noise power and sensitivity
- 7) Reference plane is the plane coincident with the loudspeaker baffle plane. Reference axis is the axis perpendicular to the reference plane and passing through the center of the baffle. Vertical plane is the plane intersecting the reference plane at a right angle, including the reference axis and the taps selector knob. Horizontal plane is the plane intersecting the reference plane and the vertical plane at a right angle, including the reference axis.
- 8) Mounted onto IEC baffle, 4 m
- 9) 500 Hz - 5 kHz

As part of QSC's ongoing commitment to product development, specifications are subject to change without notice.

