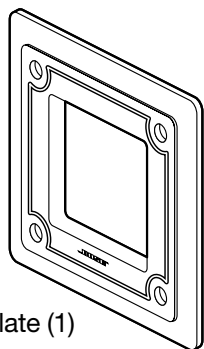




Trim Plate Kit for FreeSpace® DS 16S, DS 16SE, DS 40SE, and DS 100SE loudspeakers

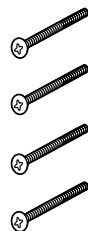
US-ONLY • KUN USA • NUR USA • SÓLO EE UU • ÉTATS-UNIS UNIQUEMENT • SOLO USA • ALLEEN VS • ENDAST USA

Contents



Trim Plate (1)

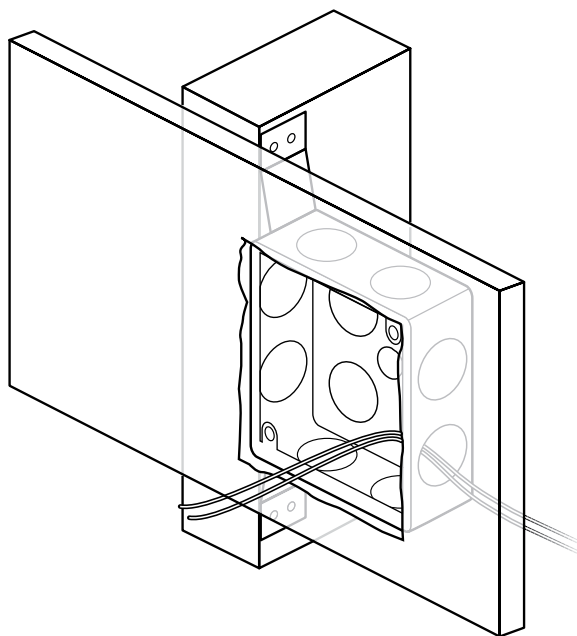
#8-32 x 2" truss head screws (4)



Choose a mounting position, method, and hardware consistent with local building codes and regulations.

- The FreeSpace DS loudspeakers can be mounted directly on standard U.S. steel 4" x 4" junction boxes. There may be several junction boxes available that are compatible with FreeSpace DS loudspeaker wall brackets, but Bose Corporation only recommends the junction boxes it has validated.
- Please check **pro.Bose.com** for an up-to-date list of Bose-validated junction boxes.
- It is the responsibility of the installer to properly install junction boxes to ensure the safety of the loudspeaker installation. Consult a building professional for the proper junction box installation methods before installing the loudspeaker.
- The junction box should be installed in such a way that it is structurally capable of supporting the weight of the loudspeaker. A 10:1 safety weight ratio is recommended.
- Failure to properly install a junction box or loudspeaker could result in damage, injury or death.

1. Install standard U.S. steel 4" x 4" junction box.

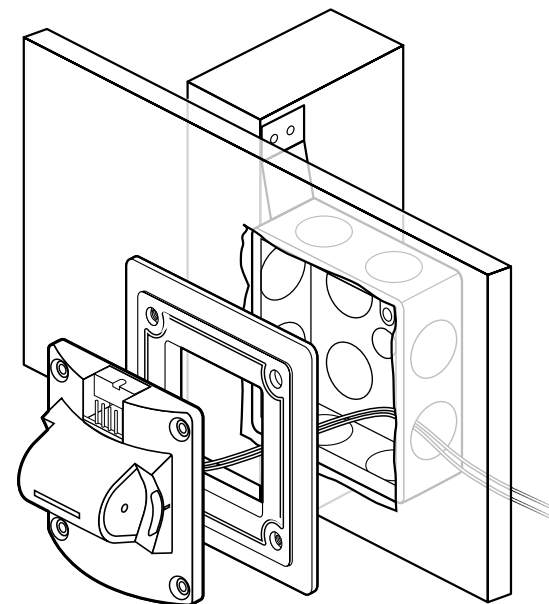


U.S. 4" x 4" Standard Steel Junction Boxes Approved by Bose

| Manufacturer: Steel City | Manufacturer: Raco |
|---------------------------------------|------------------------------|
| <i>Installation Type: Wooden Stud</i> | |
| Catalog Number | |
| 52151-V-1/2 & 3/4 | 235 8235 |
| <i>Installation Type: Metal Stud</i> | |
| Catalog Number | |
| 52151-CV-1/2 & 3/4 | 237 |

Check **pro.Bose.com** for an up-to-date list of Bose-validated junction boxes.

2. Run wire through trim plate and wire to wall bracket.

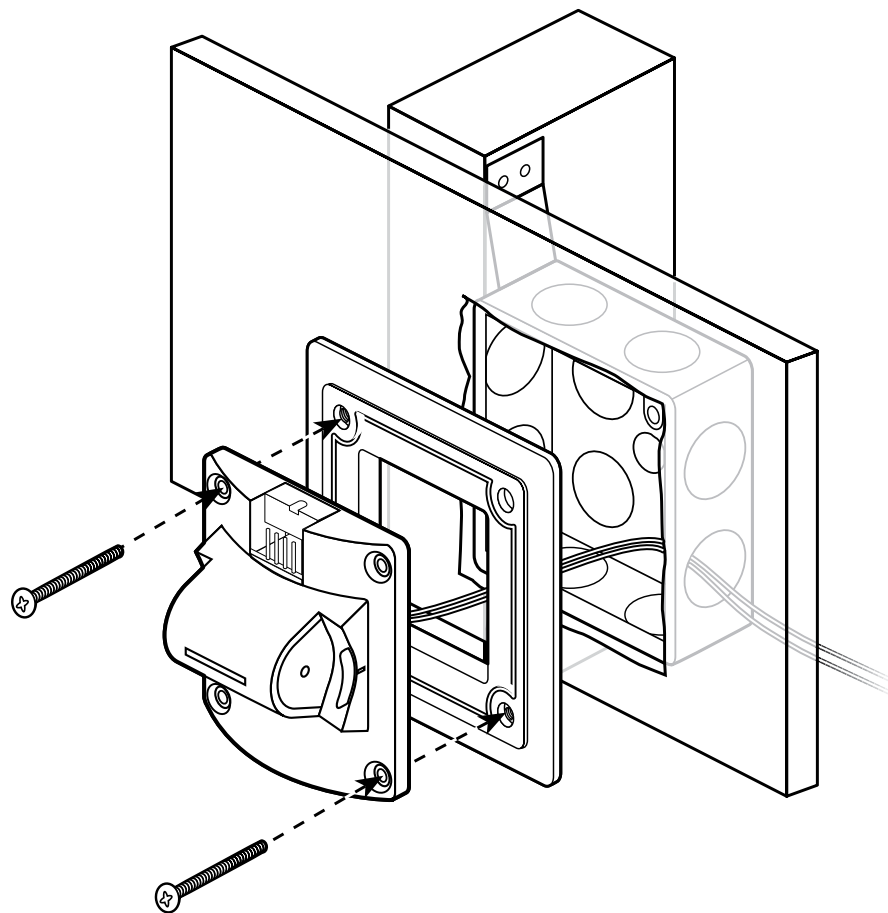


Refer to your loudspeaker's *Installation Guide* for more information about wiring the loudspeaker.

3. Attach loudspeaker wall bracket to trim plate.

Use (2) #8-32 x 2" truss head screws provided.

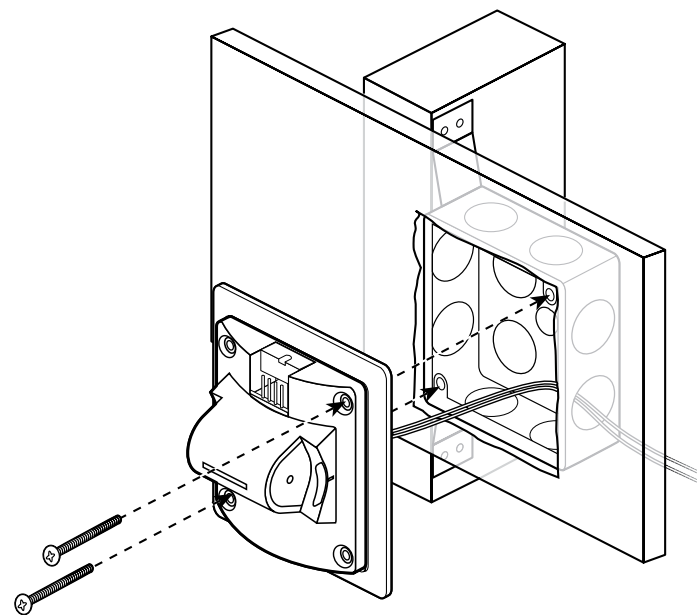
Note: Trim plate has two threaded inserts which should be oriented at the corners opposite of the junction box tabs.



Do not overtighten.
If using a power drill, set to a low torque setting.

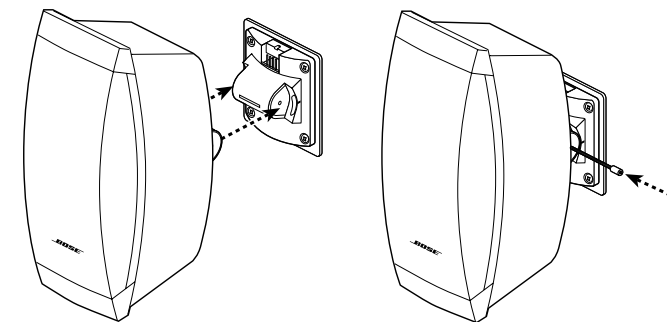
4. Secure wall bracket and trim plate to junction box.

Use (2) #8-32 x 2" truss head screws provided.



Do not overtighten.
If using a power drill, set to a low torque setting.

5. Mount loudspeaker to wall bracket.



Refer to your
loudspeaker's
Installation Guide
for more information
about mounting the
loudspeaker to the
wall bracket



316792-0010

BOSE[®]
Better sound through research[®]