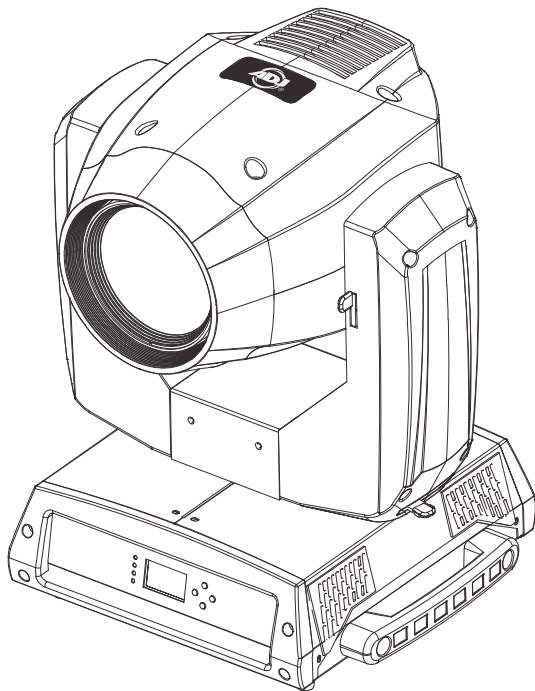




VIZI BSW 300



User Instructions



©2017 ADJ Products, LLC all rights reserved. Information, specifications, diagrams, images, and instructions herein are subject to change without notice. ADJ Products, LLC logo and identifying product names and numbers herein are trademarks of ADJ Products, LLC. Copyright protection claimed includes all forms and matters of copyrightable materials and information now allowed by statutory or judicial law or hereinafter granted. Product names used in this document may be trademarks or registered trademarks of their respective companies and are hereby acknowledged. All non-ADJ Products, LLC brands and product names are trademarks or registered trademarks of their respective companies.

ADJ Products, LLC and all affiliated companies hereby disclaim any and all liabilities for property, equipment, building, and electrical damages, injuries to any persons, and direct or indirect economic loss associated with the use or reliance of any information contained within this document, and/or as a result of the improper, unsafe, insufficient and negligent assembly, installation, rigging, and operation of this product.

Europe Energy Saving Notice

Energy Saving Matters (EuP 2009/125/EC)

Saving electric energy is a key to help protecting the environment. Please turn off all electrical products when they are not in use. To avoid power consumption in idle mode, disconnect all electrical equipment from power when not in use. Thank you!

Vizi BSW 300

Table of Contents

Unpacking.....	3
Introduction.....	3
Customer Support.....	3
Safety Precautions.....	4
Features.....	5
Handling Precautions.....	6
Registration.....	6
Mounting.....	7-9
CAD Drawing.....	9
Base Layout.....	10
DMX Set-Up.....	11-13
DMX Control.....	14
DMX Traits.....	15-22
System Menu.....	23-31
Offset Menu.....	32-35
Error Information.....	35
Dimmer Curve Chart.....	36
Photometric Chart.....	37
Gobo Replacement.....	38
Fuse Replacement.....	39
Cleaning.....	39
Trouble Shooting.....	40
Warranty.....	41
Specifications.....	42

Unpacking: Thank you for purchasing the Vizi BSW 300 by ADJ Products, LLC®. Every Vizi BSW 300 has been thoroughly tested and has been shipped in perfect operating condition. Carefully check the shipping carton for damage that may have occurred during shipping. If the carton appears to be damaged, carefully inspect your fixture for any damage and be sure all equipment necessary to operate the unit has arrived intact. In the event damage has been found or parts are missing, please contact our toll free customer support number for further instructions. Please do not return this unit to your dealer without contacting customer support first.

Introduction: The Vizi BSW 300 is a DMX intelligent, moving head fixture. The Vizi BSW 300 has 2 DMX channel modes, a 17 channel mode and 20 channel mode. This fixture has 3 operating modes; Show mode, Sound Active mode, and DMX controlled. *For best results use fog or special effects smoke to enhance the beams projections.*

Customer Support: ADJ Products, LLC® provides a toll free customer support line, to provide help and to answer any question should you encounter problems during your set up or initial operation. You may also visit us on the web at www.adj.com for any comments or suggestions. Service Hours are Monday through Friday 8:00 a.m. to 4:30 p.m. Pacific Standard Time.

Voice: (800) 322-6337
Fax: (323) 582-2610
E-mail: support@americandj.com

To purchase parts online visit <http://parts.americandj.com>

Warning! To prevent or reduce the risk of electrical shock or fire, do not expose this unit to rain or moisture.

Warning! *This may cause severe eye damage. Avoid looking directly into the light source at all times!*

For Your Own Personal Safety, Please Read and Understand This Manual Completely Before You Attempt To Install Or Operate This Unit!

- To reduce the risk of electrical shock or fire, do not expose this unit rain or moisture
- Do not spill water or other liquids into or on to your unit.
- Be sure that the local power outlet match that of the required voltage for your unit.
- Do not attempt to operate this unit if the power cord has been frayed or broken.
- Do not attempt to remove or break off the ground prong from the electrical cord. This prong is used to reduce the risk of electrical shock and fire in case of an internal short.
- Disconnect from main power before making any type of connection.
- Do not remove the cover under any conditions. There are no user serviceable parts inside.
- Never operate this unit when it's cover is removed.
- Always be sure to mount this unit in an area that will allow proper ventilation. Allow about 6" (15cm) between this device and a wall.
- Do not attempt to operate this unit, if it becomes damaged.
- This unit is intended for indoor use only, use of this product outdoors voids all warranties.
- Always mount this unit in safe and stable matter.
- Power-supply cords should be routed so that they are not likely to be walked on or pinched by items placed upon or against them, paying particular attention to cords at plugs, convenience receptacles, and the point where they exit from the appliance.
- Cleaning -The fixture should be cleaned only as recommended by the manufacturer. See page 40 for cleaning details.
- Heat -This fixture should be situated away from heat sources such as radiators, heat registers, stoves, or other appliances (including amplifiers) that produce heat.
- The fixture should be serviced by qualified service personnel when:
 - A. Objects have fallen, or liquid has been spilled into the appliance.
 - B. The appliance has been exposed to rain or water.
 - C. The appliance does not appear to operate normally or exhibits a marked change in performance.

- 1 x 300W White LED
- Micro-Stepping Motors for Smooth Color and Gobo Transitions
- DMX-512 Protocol Compatible
- 2 DMX Channel Modes: 17 Channels and 20 Channels
- 3/5-Pin XLR In/Out
- Independent Gobo and Color Wheels
- 2 Seperate Gobo Wheels
 - 6 Static Fixed Gobos + Spot & 3 Variably Sized Beam Aperture's
 - 7 Rotating Gobos + Spot (3 Glass Gobos & 4 Metal Gobos)
- 2 Seperate Color Wheels
 - 7 Static Colors plus Open (Wheel 1)
 - 7 Static Colors plus Open (Wheel 2)
- 6 Facet Rotating Prism - Linear and Circular
- 5 Dimmer Curves
- Frost Filter
- Strobe Effect
- Motorized Focus
- 1-7 Degree Beam Angle (Beam Mode)
- 8-17 Degree Beam Angle (Spot Mode)
- 18-26 Degree Beam Angle (Wash Mode)
- 540° Pan Movement
- 240° Tilt Movement
- Pan/Tilt Invert
- Pan/Tilt Speed Adjustment
- Pan/Tilt Locking Mechanism
- Digital Display for Address and Function Setting

Included:

- 1.5M PowerCon Cable
- Omega Clamp

Vizi BSW 300

General Instructions

To optimize the performance of this product, please read these operating instructions carefully to familiarize yourself with the basic operations of this unit. These instructions contain important safety information regarding the use and maintenance of this unit. Please keep this manual with the unit, for future reference.

Vizi BSW 300

Handling Precautions

Caution! There are no user serviceable parts inside this unit. Do not attempt any repairs yourself, doing so will void your manufacturer's warranty. In the unlikely event your unit may require service please contact ADJ®.

During operation the housing may become extremely hot. Avoid touching the unit with bare hands while in use.

ADJ® will not accept any liability for any resulting damages caused by the non-observance of this manual or any unauthorized modification to this unit.

Vizi BSW 300

Product Registration

The Vizi BSW 300 carries a two year (730 Day) limited warranty. Please fill out the enclosed warranty card to validate your purchase. All returned service items whether under warranty or not, must be freight pre-paid and accompany a return authorization (R.A.) number. The R.A. number must be clearly written on the outside of the return package. A brief description of the problem as well as the R.A. number must also be written down on a piece of paper and included in the shipping carton. If the unit is under warranty, you must provide a copy of your proof of purchase invoice. You may obtain a R.A. number by contacting our customer support team on our toll free customer support number. All packages returned to the service department not displaying a R.A. number on the outside of the package will be returned to the shipper at the shippers cost.

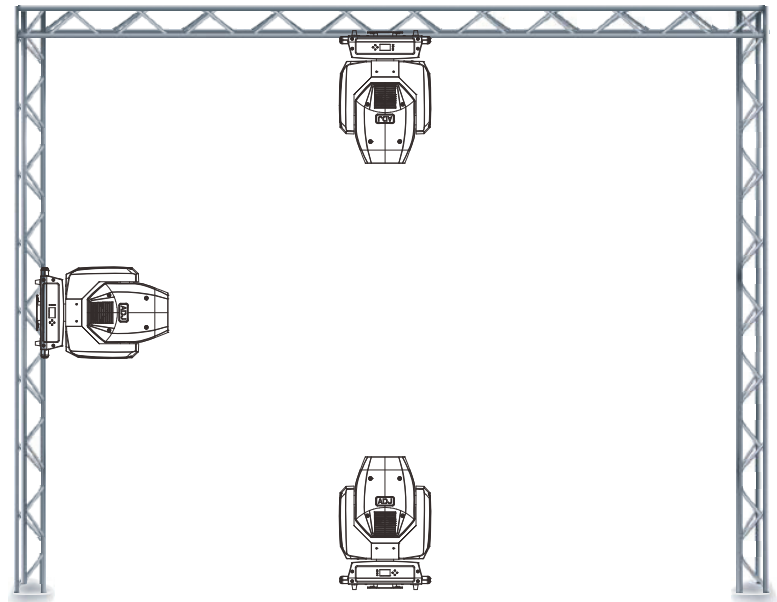
Vizi BSW 300

Mounting

When installing the unit, the trussing or area of installation must be able to hold 10 times the weight without any deformation. When installing the unit must be secured with a secondary safety attachment, e.g. and appropriate safety cable. Never stand directly below the unit when mounting, removing, or servicing the unit.

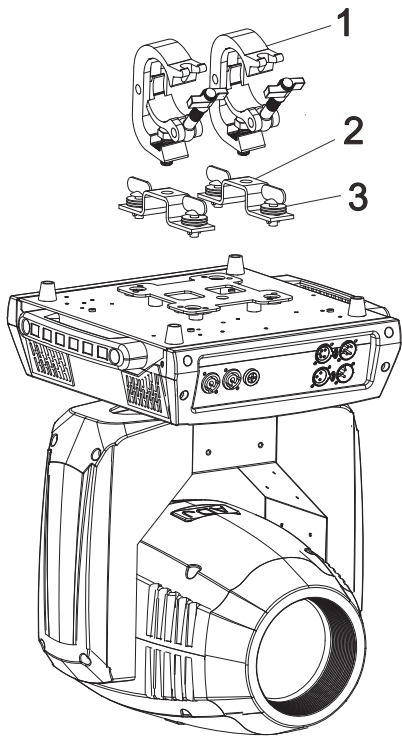
Overhead mounting requires extensive experience, including calculating working load limits, installation material being used, and periodic safety inspection of all installation material and unit. If you lack these qualifications, do not attempt the installation yourself.

These installations should be checked by a skilled person once a year.



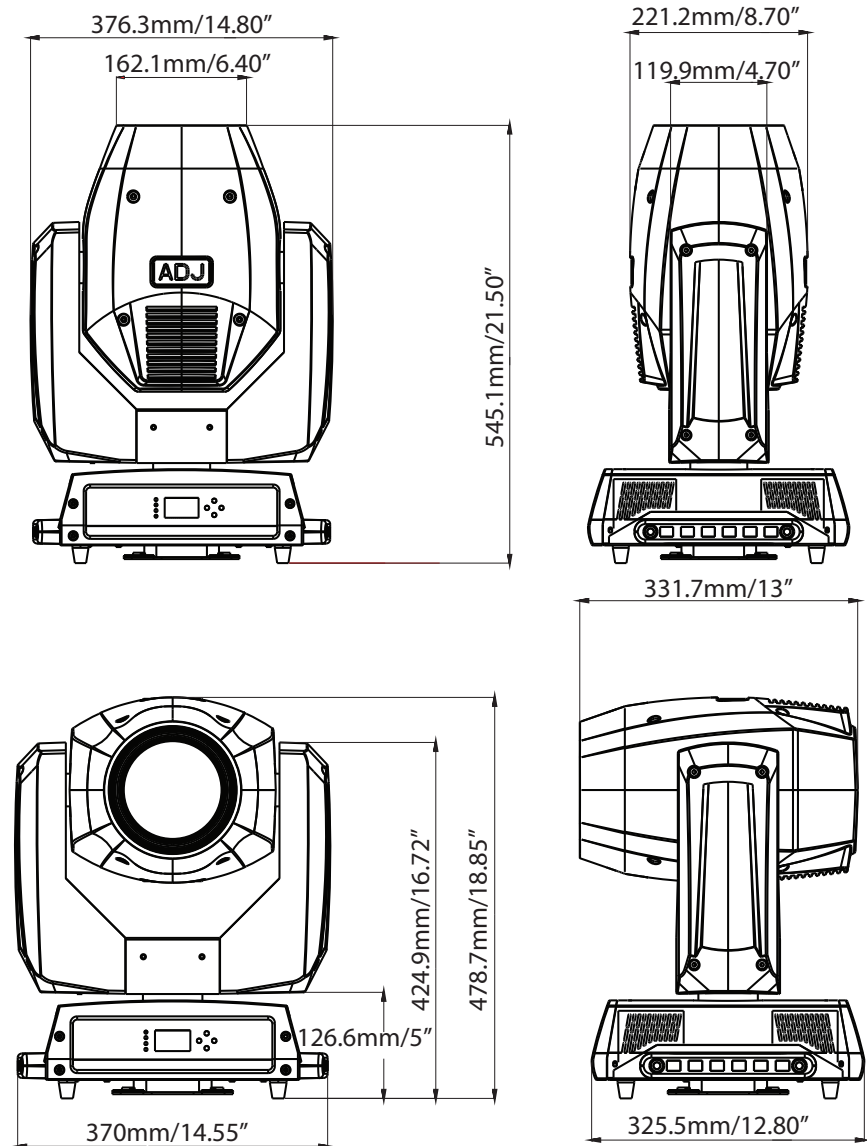
The Vizi BSW 300 is fully operational in three different mounting positions, hanging upside-down from a ceiling, sideways on trussing, or set on a flat level surface. Be sure this fixture is kept at least 12m (40ft) away from any flammable materials (decoration etc.). Always use and install the supplied safety cable as a safety measure to prevent accidental damage and/or injury in the event the clamp fails (see next page). Never use the carrying handles for secondary attachment.

NOTICE: The suitable environmental temperature for this lighting fixture is between -25° C to 45° C. Do not place this lighting fixture in an environment where the temperatures are under or above the temperatures stated above. This will allow the fixture to run at its best and help prolong the fixture life.



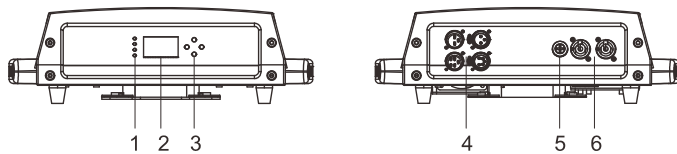
- 1. Clamp
- 2. Omega-holders
- 3. Quick-lock fastener

Screw one clamp each via a M12 screw and nut into the Omega holders. Insert the quick-lock fasteners of the Omega holder's into the respective holes on the bottom of the Vizi BSW 300. Tighten the quick-lock fasteners fully clockwise. Install the second Omega holder. Pull the safety-cable through the openings located on the base plate and over the trussing system or a safe fixation spot. Insert the end in the carabine and tighten the safety screw.



Front view

Rear view



1. LED:

MASTER	On	Master mode
SLAVE	On	Slave mode
SOUND	On	Soundactivation
DMX	On	DMX input present

2. Display: To show the various menus and the selected function.

3. Button:

MENU	To enter/exit the menu, and move backwards in the menu
UP	To move up in the menu
DOWN	To move down in the menu
ENTER	To perform the desired functions

4. DMX input/output: For DMX 512 operation, 3/5-pin XLR plug cable to link the units together

5. Fuse (T 10A): Protects the unit from damage of over current.

6. Power Cable: To connect to the mains supply or next fixture.

Power Supply: The ADJ® Vizi BSW 300 contains a automatic voltage switch, which will auto sense the voltage when it is plugged into the power source. With this switch there is no need to worry about the correct power voltage, this unit can be plugged in anywhere.

DMX-512: DMX is short for Digital Multiplex. This is a universal protocol used by most lighting and controller manufactures as a form of communication between intelligent fixtures and controllers. A DMX controller sends DMX data instructions from the controller to the fixture. DMX data is sent as serial data that travels from fixture to fixture via the DATA “IN” and DATA “OUT” XLR terminals located on all DMX fixtures (most controllers only have a DATA “OUT” terminal).

DMX Linking: DMX is a language allowing all makes and models of different manufactures to be linked together and operate from a single controller, as long as all fixtures and the controller are DMX compliant. *To ensure proper DMX data transmission, when using several DMX fixtures try to use the shortest cable path possible. The order in which fixtures are connected in a DMX line does not influence the DMX addressing. For example; a fixture assigned a DMX address of 1 may be placed anywhere in a DMX line, at the beginning, at the end, or anywhere in the middle. Therefore, the first fixture controlled by the controller could be the last fixture in the chain. When a fixture is assigned a DMX address of 1, the DMX controller knows to send DATA assigned to address 1 to that unit, no matter where it is located in the DMX chain.*

Data Cable (DMX Cable) Requirements (For DMX and Master/Slave Operation):

The Vizi BSW 300 can be controlled via DMX-512 protocol. The Vizi BSW 300 has 2 DMX channel modes; 17 channel mode, and 20 channel mode. The DMX address is set electronically using the controls on the front panel of the unit. Your unit and your DMX controller require a approved DMX-512 110 Ohm Data cable for data input and data output (Figure 1). We recommend Accu-Cable DMX cables. If you are making your own cables, be sure to use standard 110-120 Ohm shielded cable (This cable may be purchased at almost all professional sound and lighting stores). Your cables should be made with a male and female XLR connector on



Figure 1

either end of the cable. Also remember that DMX cable must be daisy chained and cannot be split.

Notice: Be sure to follow figures two and three when making your own cables. Do not use the ground lug on the XLR connector. Do not connect the cable's shield conductor to the ground lug or allow the shield conductor to come in contact with the XLR's outer casing. Grounding the shield could cause a short circuit and erratic behavior.

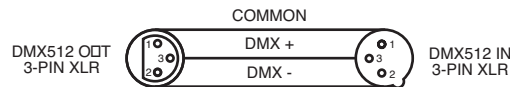


Figure 2

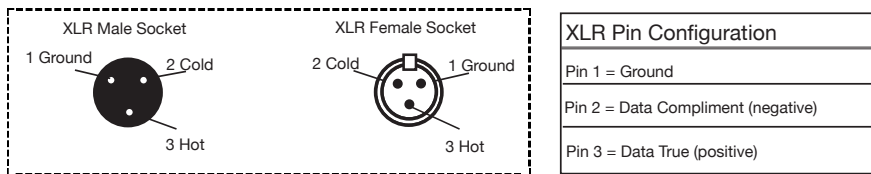


Figure 3

Special Note: Line Termination. When longer runs of cable are used, you may need to use a terminator on the last unit to avoid erratic behavior. A terminator is a 110-120 ohm 1/4 watt resistor which is connected between pins 2 and 3 of a male XLR connector (DATA + and DATA -). This unit is inserted in the female XLR connector of the last unit in your daisy chain to terminate the line. Using a cable terminator (ADJ part number Z-DMX/T) will decrease the possibilities of erratic behavior.



Termination reduces signal errors and avoids signal transmission problems and interference. It is always advisable to connect a DMX terminal. (Resistance 120 Ohm 1/4 W) between PIN 2 (DMX-) and PIN 3 (DMX +) of the last fixture.

Figure 4

5-Pin XLR DMX Connectors. Some manufactures use 5-pin DMX-512 data cables for DATA transmission in place of 3-pin. 5-pin DMX fixtures may be implemented in a 3-pin DMX line. When inserting standard 5-pin data cables in to a 3-pin line a cable adaptor must be used, these adaptors are readily available at most electric stores. The chart below details a proper cable conversion.

3-Pin XLR to 5-Pin XLR Conversion		
Conductor	3-Pin XLR Female (Out)	5-Pin XLR Male (In)
Ground/Shield	Pin 1	Pin 1
Data Compliment (- signal)	Pin 2	Pin 2
Data True (+ signal)	Pin 3	Pin 3
Not Used		Pin 4 - Do Not Use
Not Used		Pin 5 - Do Not Use

Vizi BSW 300**DMX Control**

Universal DMX Control: This function allows you to use a universal DMX-512 controller. A DMX controller allows you to create unique programs tailored to your individual needs.

1. The Vizi BSW 300 has 2 DMX channel modes; an 17 channel mode and 20 channel mode. See pages 15-22 for detailed description of the DMX traits.
2. To control your fixture in DMX mode, follow the set-up procedures on pages 11-13 as well as the set-up specifications that are included with your DMX controller.
3. Follow the instructions on page 24 to select your desired DMX channel mode and DMX address.
4. Use the controller's faders to control the various DMX fixture traits.
5. For longer cable runs (more than a 100 feet) use a terminator on the last fixture.
6. For help operating in DMX mode consult the manual included with your DMX controller.

Vizi BSW 300**17 Channel Mode**

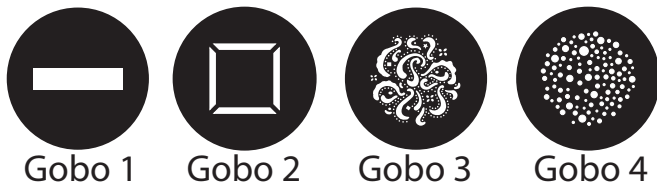
Channel	Value	Function
1	0 - 255	PAN MOVEMENT
2	0 - 255	TILT MOVEMENT
3	0 - 7	COLOR WHEEL 1
	8 - 15	WHITE
	16 - 23	RED
	24 - 31	BLUE
	32 - 39	LIGHT GREEN
	40 - 47	YELLOW
	48 - 55	ORANGE
	56 - 64	MAGENTA
	65 - 127	LIGHT BLUE
	128 - 189	COLOR INDEXING
	190 - 193	CLOCKWISE ROTATION FAST - SLOW
4	194 - 255	STOP
	0 - 7	COUNTER-CLOCKWISE ROTATION SLOW - FAST
	8 - 15	COLOR WHEEL 2
	16 - 23	WHITE
	24 - 31	PINK
	32 - 39	CTO 3200K
	40 - 47	UV PURPLE
	48 - 55	YELLOW
	56 - 64	GREEN
	65 - 127	CTO 5600K
	128 - 189	CYAN
190 - 193	COLOR INDEXING	
5	194 - 255	CLOCKWISE ROTATION FAST - SLOW
	0 - 10	STOP
	11 - 21	COUNTER-CLOCKWISE ROTATION SLOW - FAST
	22 - 32	GOBO WHEEL 1 (GLASS GOBO'S)
	33 - 43	OPEN
	44 - 54	GOBO 1
	55 - 65	GOBO 2
	66 - 76	GOBO 3
	77 - 87	GOBO 4
	88 - 127	GOBO 5
	128 - 189	GOBO 6
190 - 193	GOBO 7	
	GOBO SHAKE GOBOS 1-7	
128 - 189	CLOCKWISE ROTATION FAST - SLOW	
190 - 193	COUNTER-CLOCKWISE ROTATION SLOW - FAST	
190 - 193	NO ROTATION	

Vizi BSW 300		17 Channel Mode
Channel	Value	Function
5	194 - 255	GOBO WHEEL 1 (GLASS GOBO'S) CLOCKWISE ROTATION SLOW - FAST
6	0 - 127 128 - 189 190 - 193 194 - 255	GOBO WHEEL 1 GOBO ROTATION INDEXING CLOCKWISE ROTATION FAST - SLOW NO ROTATION COUNTER-CLOCKWISE ROTATION SLOW - FAST
7	0 - 6 7 - 13 14 - 20 21 - 27 28 - 34 35 - 41 42 - 48 49 - 55 56 - 62 63 - 69 70 - 83 84 - 127 128 - 189 190 - 193 194 - 255	GOBO WHEEL 2 OPEN APERTURE 1 APERTURE 2 APERTURE 3 GOBO 1 GOBO 2 GOBO 3 GOBO 4 GOBO 5 GOBO 6 OPEN GOBO SHAKE CLOCKWISE ROTATION FAST - SLOW NO ROTATION COUNTER-CLOCKWISE ROTATION SLOW - FAST
8	0 - 7 8 - 15 16 - 131 132 - 139 140 - 181 182 - 189 190 - 231 232 - 239 240 - 247 248 - 255	SHUTTER & STROBE CLOSED OPEN STROBING SLOW - FAST OPEN SLOW OPEN - FAST CLOSE OPEN SLOW CLOSE - FAST OPEN OPEN RANDOM STROBE OPEN
9	0 - 255	MASTER DIMMER 0% - 100%
10	0 - 7 8 - 127 128 - 255	PRISM (6 FACET) NO PRISM EFFECT LINEAR PRISM EFFECT CIRCULAR PRISM EFFECT

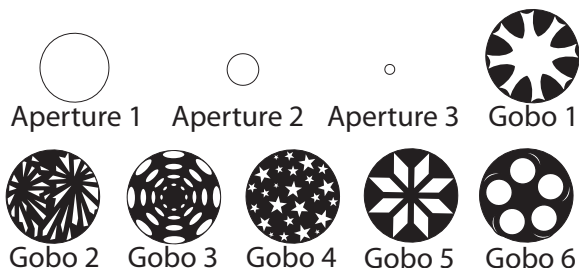
Vizi BSW 300		17 Channel Mode
Channel	Value	Function
11	0 - 127 128 - 189 190 - 193 194 - 255	PRISM ROTATION INDEXING CLOCKWISE ROTATION FAST - SLOW NO ROTATION COUNTER-CLOCKWISE ROTATION SLOW - FAST
12	0 - 7 8 - 127 128 - 255	FROST OPEN APERTURE WASH
13	0 - 255	FOCUS NEAR - FAR
14	0 1 - 21 22 - 41 42 - 61 62 - 81 82 - 255	SHOWS OFF SHOW 1 SHOW 2 SHOW 3 SHOW 4 SHOW 0
15	0 - 20 21 - 40 41 - 60 61 - 80 81 - 100 101 - 255	DIMMER CURVES STANDARD STAGE TV ARCHITECTURAL THEATRE DEFAULT TO UNIT SETTING
16	0 - 255	PAN/TILT SPEED FAST - SLOW
17	0 - 69 70 - 79 80 - 89 90 - 99 100 - 109 110 - 119 120 - 129 130 - 139 140 - 149 150 - 159 160 - 169 170 - 199	SPECIAL FUNCTIONS NO FUNCTION ENABLE BLACKOUT WITH PAN/TILT MOVEMENT DISABLE BLACKOUT WITH PAN/TILT MOVEMENT ENABLE BLACKOUT WITH COLOR CHANGE DISABLE BLACKOUT WITH COLOR CHANGE ENABLE BLACKOUT WITH GOBO CHANGE DISABLE BLACKOUT WITH GOBO CHANGE PAN/TILT RESET COLOR WHEEL RESET GOBO WHEEL RESET EFFECT RESET (PRISM, FOCUS, & FROST NO FUNCTION

Vizi BSW 300		17 Channel Mode
Channel	Value	Function
17	200 - 209	SPECIAL FUNCTIONS
	210 - 249	RESET ALL MOTORS
	250 - 255	NO FUNCTION
		SOUND ACTIVE

GOBO WHEEL 1



GOBO WHEEL 2



Vizi BSW 300		20 Channel Mode
Channel	Value	Function
1	0 - 255	PAN MOVEMENT
2	0 - 255	PAN FINE
3	0 - 255	TILT MOVEMENT
4	0 - 255	TILT FINE
5	0 - 7	COLOR WHEEL 1
	8 - 15	WHITE
	16 - 23	RED
	24 - 31	BLUE
	32 - 39	LIGHT GREEN
	40 - 47	YELLOW
	48 - 55	ORANGE
	56 - 64	MAGENTA
	65 - 127	LIGHT BLUE
	128 - 189	COLOR INDEXING
	190 - 193	CLOCKWISE ROTATION FAST - SLOW
	194 - 255	STOP
6		COUNTER-CLOCKWISE ROTATION SLOW - FAST
	0 - 7	COLOR WHEEL 2
	8 - 15	WHITE
	16 - 23	PINK
	24 - 31	CTO 3200K
	32 - 39	UV PURPLE
	40 - 47	YELLOW
	48 - 55	GREEN
	56 - 64	CTO 5600K
	65 - 127	CYAN
	128 - 189	COLOR INDEXING
	190 - 193	CLOCKWISE ROTATION FAST - SLOW
	194 - 255	STOP
7		COUNTER-CLOCKWISE ROTATION SLOW - FAST
	0 - 10	GOBO WHEEL 1 (GLASS GOBO'S)
	11 - 21	OPEN
	22 - 32	GOBO 1
	33 - 43	GOBO 2
	44 - 54	GOBO 3
	55 - 65	GOBO 4
	66 - 76	GOBO 5
	77 - 87	GOBO 6
		GOBO 7

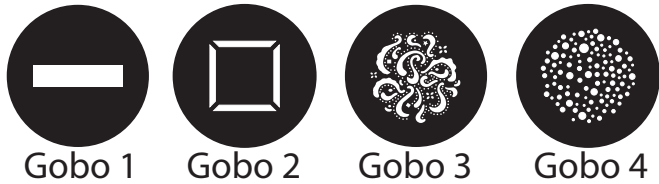
Vizi BSW 300		20 Channel Mode
Channel	Value	Function
7	88 - 127 128 - 189 190 - 193 194 - 255	GOBO WHEEL 1 (GLASS GOBO'S) GOBO SHAKE GOBOS 1-7 CLOCKWISE ROTATION FAST - SLOW NO ROTATION COUNTER-CLOCKWISE ROTATION SLOW - FAST
8	0 - 127 128 - 189 190 - 193 194 - 255	GOBO WHEEL 1 GOBO ROTATION INDEXING CLOCKWISE ROTATION FAST - SLOW NO ROTATION COUNTER-CLOCKWISE ROTATION SLOW - FAST
9	0 - 6 7 - 13 14 - 20 21 - 27 28 - 34 35 - 41 42 - 48 49 - 55 56 - 62 63 - 69 70 - 83 84 - 127 128 - 189 190 - 193 194 - 255	GOBO WHEEL 2 OPEN APERTURE 1 APERTURE 2 APERTURE 3 GOBO 1 GOBO 2 GOBO 3 GOBO 4 GOBO 5 GOBO 6 OPEN GOBO SHAKE COUNTER-CLOCKWISE ROTATION FAST - SLOW NO ROTATION CLOCKWISE ROTATION SLOW - FAST
10	0 - 7 8 - 15 16 - 131 132 - 167 168 - 203 204 - 239 240 - 247 248 - 255	SHUTTER & STROBE SHUTTER CLOSED SHUTTER OPEN STROBING SLOW - FAST SLOW OPEN - FAST CLOSE FAST OPEN - SLOW CLOSE SLOW OPEN - SLOW CLOSE RANDOM STROBE OPEN
11	0 - 255	MASTER DIMMER 0% - 100%
12	0 - 255	DIMMER FINE 0% - 100%

Vizi BSW 300		20 Channel Mode
Channel	Value	Function
13	0 - 7 8 - 127 128 - 255	PRISM (6 FACET) NO PRISM EFFECT LINEAR PRISM EFFECT CIRCULAR PRISM EFFECT
14	0 - 127 128 - 189 190 - 193 194 - 255	PRISM ROTATION INDEXING CLOCKWISE ROTATION FAST - SLOW NO ROTATION COUNTER-CLOCKWISE ROTATION SLOW - FAST
15	0 - 7 8 - 127 128 - 255	FROST OPEN APERTURE WASH
16	0 - 255	FOCUS NEAR - FAR
17	0 1 - 21 22 - 41 42 - 61 62 - 81 82 - 255	SHOWS OFF SHOW 1 SHOW 2 SHOW 3 SHOW 4 SHOW 0
18	0 - 20 21 - 40 41 - 60 61 - 80 81 - 100 101 - 255	DIMMER CURVES STANDARD STAGE TV ARCHITECTURAL THEATRE DEFAULT TO UNIT SETTING
19	0 - 255	PAN/TILT SPEED FAST - SLOW
20	0 - 69 70 - 79 80 - 89 90 - 99 100 - 109 110 - 119 130 - 139 140 - 149 150 - 159	SPECIAL FUNCTIONS NO FUNCTION ENABLE BLACKOUT WITH PAN/TILT MOVEMENT DISABLE BLACKOUT WITH PAN/TILT MOVEMENT ENABLE BLACKOUT WITH COLOR CHANGE DISABLE BLACKOUT WITH COLOR CHANGE ENABLE BLACKOUT WITH GOBO CHANGE PAN/TILT RESET COLOR WHEEL RESET GOBO WHEEL RESET

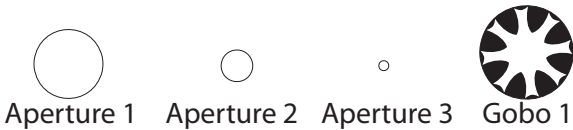
Vizi BSW 300 20 Channel Mode

Channel	Value	Function
20		SPECIAL FUNCTIONS
	160 - 169	EFFECT RESET (PRISM, FOCUS, & FROST)
	170 - 199	NO FUNCTION
	200 - 209	RESET ALL MOTORS
	210 - 249	NO FUNCTION
	250 - 255	SOUND ACTIVE

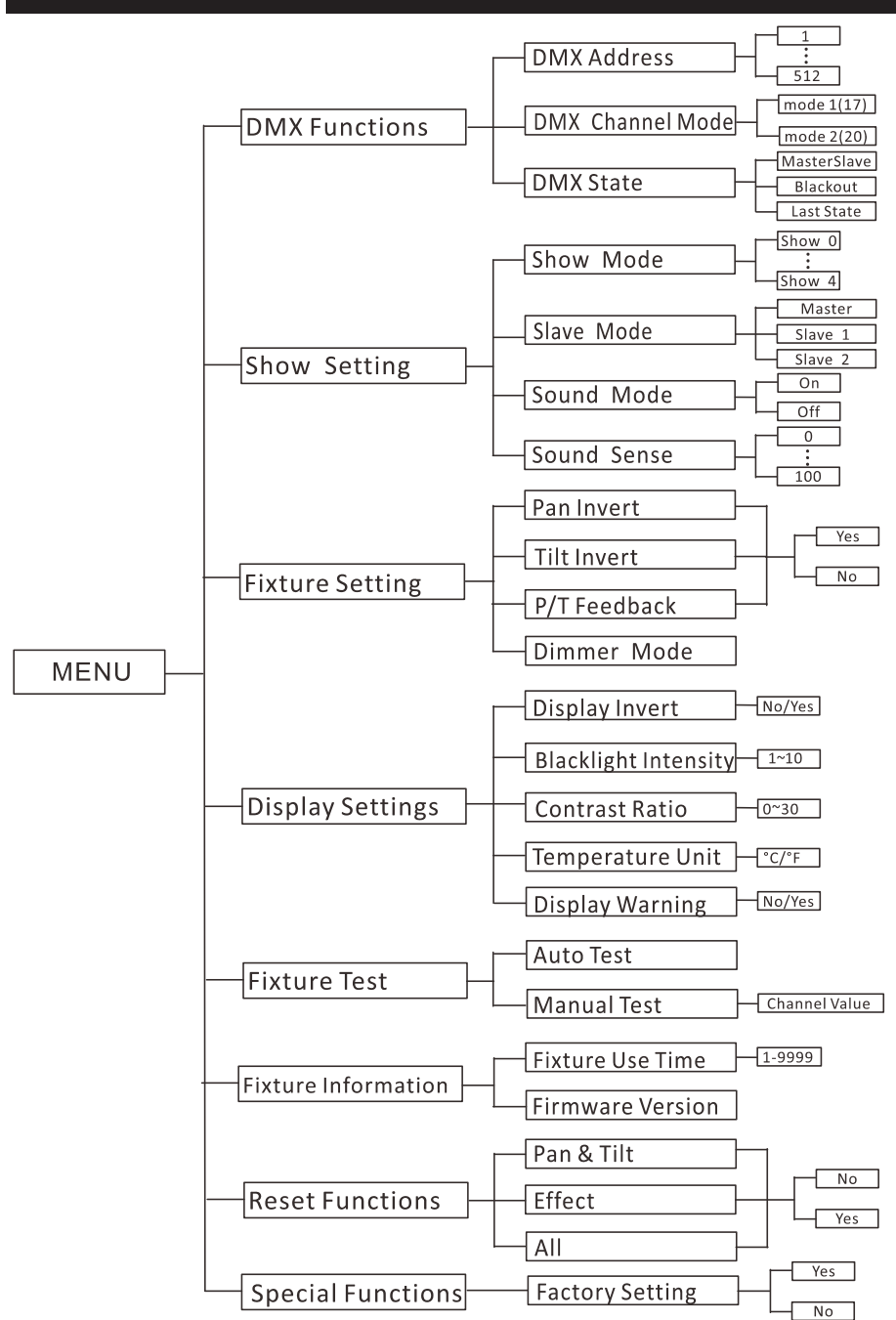
GOBO WHEEL 1



GOBO WHEEL 2



Vizi BSW 300 System Menu



System Menu: When making adjustments press **ENTER** to confirm your setup then press and hold the **MENU** button for at least 3 seconds. To exit without making any adjustments press the **MENU** button. The display will lock after 30 seconds, press the **MENU** button for 3 seconds to unlock.

DMX SETTINGS -

DMX Address - With this function, you can adjust the desired DMX-address via the Control Board.

1. Access the main menu, and press the UP or DOWN buttons so that “**DMX Setting**” is highlighted, then press ENTER.
2. Press the UP or DOWN buttons until “**DMX Address**” is displayed, and press ENTER. The current DMX address will now be displayed.
3. Use the UP or DOWN buttons to adjust the DMX address.
4. Press ENTER to confirm or press MENU button to return to the main menu.

DMX Channel Mode - With this function, you can select your desired DMX channel mode.

1. Access the main menu, and press the UP or DOWN buttons so that “**DMX Setting**” is highlighted, then press ENTER.
2. Press the UP or DOWN buttons until “**DMX Channel Mode**” is displayed, and press ENTER. The current DMX channel mode will now be displayed.
3. Press the MENU button to return to the main menu.

DMX State - This mode can be used as a precaution mode, that in case the DMX signal is lost, interrupted, or power is lost, the operating mode chosen in this setup is the running mode the fixture will go into when the DMX signal is lost. You can also set this as the running mode you would like the unit to return to when power is applied.

1. Access the main menu, and press the UP or DOWN buttons so that “**DMX Setting**” is highlighted, then press ENTER.

2. Press the UP or DOWN buttons until “**DMX State**” is displayed, and press ENTER. Use the UP and DOWN buttons to switch between the two modes; Blackout or Hold. Press the ENTER button to make your selection.

- **LAST STATE** - If the DMX signal is lost the fixture will stay in the last DMX setting. If power is applied and this mode is set, the unit will automatically go into the last DMX set up.
- **BLACKOUT** - If the DMX signal is lost or interrupted, the unit will automatically go into stand by mode.
- **MASTER/SLAVE** - If the DMX signal is lost or power is applied, the unit will automatically go into Master Slave mode and run a built-in show.

3. Press the MENU button to return to the main menu.

SHOW SETTINGS -

Show Mode - Select a desired preset show to run.

1. Access the main menu, and press the UP or DOWN buttons so that “**Show Setting**” is highlighted, then press ENTER.
2. Press the UP or DOWN buttons until “**Show Mode**” is displayed, and press ENTER. The current setting will now be displayed.
3. Use the UP or DOWN buttons to find your desired show. Shows 1-4 are factory shows, while Show 0 is a random show.
4. Press ENTER to confirm your selection or press the MENU button to return to the main menu.

Slave Mode - Use this mode to set the unit as a “Master”, “Slave 1” or “Slave 2”

1. Access the main menu, and press the UP or DOWN buttons so that “**Show Setting**” is highlighted, then press ENTER.
2. Press the UP or DOWN buttons until “**Slave Mode**” is displayed, and press ENTER. The current setting will now be displayed.
3. Use the UP or DOWN buttons to find your desired setting. Selecting “Slave 2” will give the unit contrast movement to the “Master”:

4. Press ENTER to confirm your selection or press the MENU button to return to the main menu.

Sound Mode - In this menu you can activate sound active mode.

1. Access the main menu, and press the UP or DOWN buttons so that “**Show Setting**” is highlighted, then press ENTER.
2. Press the UP or DOWN buttons until “**Sound Mode**” is displayed, and press ENTER. The current setting will now be displayed.
3. Use the UP or DOWN buttons to switch between “OFF” or “ON”. To activate sound active mode select “ON”, to deactivate select “OFF”.
4. Press ENTER to confirm your selection or press the MENU button to return to the main menu.

Sound Sense - In this menu you can adjust the sound sensitivity.

1. Access the main menu, and press the UP or DOWN buttons so that “**Show Setting**” is highlighted, then press ENTER.
2. Press the UP or DOWN buttons until “**Sound Sense**” is displayed, and press ENTER. The current setting will now be displayed.
3. Use the UP or DOWN buttons to adjust the sensitivity between 0-100. “0” being the least sensitive and 100 being the most sensitive.
4. Press ENTER to confirm your selection or press the MENU button to return to the main menu.

FIXTURE SETTINGS -

Pan Invert - With this function, you can reverse the Pan movement.

1. Access the main menu, and press the UP or DOWN buttons so that “**Fixture Setting**” is highlighted, then press ENTER.
2. Press the UP or DOWN buttons until “**Pan Invert**” is displayed, and press ENTER. The current setting will now be displayed.
3. Use the UP or DOWN buttons to switch between “YES” and “NO”. Selecting “YES” will activate pan inverse, “NO” will deactivate the function.

4. Press ENTER to confirm your selection or press the MENU button to return to the main menu.

Tilt Invert - With this function, you can reverse the Tilt movement.

1. Access the main menu, and press the UP or DOWN buttons so that “**Fixture Setting**” is highlighted, then press ENTER.
2. Press the UP or DOWN buttons until “**Tilt Invert**” is displayed, and press ENTER. The current setting will now be displayed.
3. Use the UP or DOWN buttons to switch between “YES” and “NO”. Selecting “YES” will activate tilt inverse, “NO” will deactivate the function.
4. Press ENTER to confirm your selection or press the MENU button to return to the main menu.

P/T Feedback - With this function, you have the pan and tilts position feedback while out of step or not feedback while out of step.

1. Access the main menu, and press the UP or DOWN buttons so that “**Fixture Setting**” is highlighted, then press ENTER.
2. Press the UP or DOWN buttons until “**P/T Feedback**” is displayed, and press ENTER. The current setting will now be displayed.
3. Use the UP or DOWN buttons to switch between “YES” and “NO”. Selecting “YES” will activate feedback, “NO” will deactivate the function.
4. Press ENTER to confirm your selection or press the MENU button to return to the main menu.

Dimmer Mode - With this function, you can select your desired dimmer curve. See the chart on page 37 for the different curves.

1. Access the main menu, and press the UP or DOWN buttons so that “**Fixture Setting**” is highlighted, then press ENTER.
2. Press the UP or DOWN buttons until “**Dimmer Mode**” is displayed, and press ENTER. The current curve setting will now be displayed.
3. Use the UP or DOWN buttons to scroll through the different

dimmer curves.

4. Press ENTER to confirm your selection or press the MENU button to return to the main menu.

DISPLAY SETTINGS -

Display Invert - With this function, you can “flip” the display 180 degrees.

1. Access the main menu, and press the UP or DOWN buttons so that “**Display Setting**” is highlighted, then press ENTER.
2. Press the UP or DOWN buttons until “**Display Invert**” is displayed, and press ENTER. The current setting will now be displayed.
3. Use the UP or DOWN buttons to switch between “No” or “Yes”. Selecting “Yes” will “flip” the display, “No” will return the display to normal.
4. Press ENTER to confirm your selection or press the MENU button to return to the main menu.

Backlight Intensity - With this function, you can adjust the intensity of the display backlight.

1. Access the main menu, and press the UP or DOWN buttons so that “**Display Setting**” is highlighted, then press ENTER.
2. Press the UP or DOWN buttons until “**Backlight Intensity**” is displayed, and press ENTER. The current setting will now be displayed.
3. Use the UP or DOWN buttons to to adjust the intensity between 1-10. 1 is the lowest intensity, 10 the brightest.
4. Press ENTER to confirm your selection or press the MENU button to return to the main menu.

Contrast Ratio - With this function, you can adjust the contrast ratio of the display.

1. Access the main menu, and press the UP or DOWN buttons so that “**Display Setting**” is highlighted, then press ENTER.
2. Press the UP or DOWN buttons until “**Contrast Ratio**” is dis-

played, and press ENTER. The current setting will now be displayed.

3. Use the UP or DOWN buttons to to adjust the intensity between 0-30. 0 is the lowest intensity, 30 the brightest.
4. Press ENTER to confirm your selection or press the MENU button to return to the main menu.

Temperature Unit - With this function, you can switch the temperature setting between Celsius or Fahrenheit.

1. Access the main menu, and press the UP or DOWN buttons so that “**Display Setting**” is highlighted, then press ENTER.
2. Press the UP or DOWN buttons until “**Temperature Unit**” is displayed, and press ENTER. The current setting will now be displayed.
3. Use the UP or DOWN buttons to switch between °C or °F.
4. Press ENTER to confirm your selection or press the MENU button to return to the main menu.

Display Warning - With this function, you can make the unit display any service warnings or errors.

1. Access the main menu, and press the UP or DOWN buttons so that “**Display Setting**” is highlighted, then press ENTER.
2. Press the UP or DOWN buttons until “**Display Warning**” is displayed, and press ENTER. The current setting will now be displayed.
3. Use the UP or DOWN buttons to switch between “NO” (normal display) or “YES” (show service warnings in display).
4. Press ENTER to confirm your selection or press the MENU button to return to the main menu.

FIXTURE TEST -

Auto Test - With this function, you can run an Auto Test.

1. Access the main menu, and press the UP or DOWN buttons so that “**Fixture Test**” is highlighted, then press ENTER.

2. Use the UP or DOWN buttons to highlight “**Auto Test**”.
3. Press ENTER to confirm your selection or press the MENU button to return to the main menu.

Manual Test - With this function you can run a Manual Test.

1. Access the main menu, and press the UP or DOWN buttons so that “**Fixture Test**” is highlighted, then press ENTER.
2. Use the UP or DOWN buttons to highlight “**Manual Test**”. Press ENTER to select and use the UP or DOWN buttons to change the channel value.
3. Press the MENU button to return to the main menu.

FIXTURE INFORMATION -

Fixture Use Time - With this function, you can check the fixture running time.

1. Access the main menu, and press the UP or DOWN buttons so that “**Fixture Information**” is highlighted, then press ENTER.
2. Press the UP or DOWN buttons until “**Fixture Use Time**” is displayed, and press ENTER. The fixture running time will now be displayed.
3. Press the MENU button to return to the main menu.

Firmware Version - With this function, you can check the current firmware version.

1. Access the main menu, and press the UP or DOWN buttons so that “**Fixture Information**” is highlighted, then press ENTER.
2. Press the UP or DOWN buttons until “**Firmware Version**” is displayed, and press ENTER. The current firmware version will now be displayed.
3. Press the MENU button to return to the main menu.

RESET FUNCTION -

Pan & Tilt - With this function, you can reset the pan & tilt motors.

1. Access the main menu, and press the UP or DOWN buttons so that “**Reset Function**” is highlighted, then press ENTER.
2. Press the UP or DOWN buttons until “**Pan & Tilt**” is displayed, and press ENTER.
3. Use the UP or DOWN buttons to switch between “No” or “Yes”. To reset the pan & tilt motors, select “Yes” and press ENTER.

Effect - With this function, you can reset the effect motors.

1. Access the main menu, and press the UP or DOWN buttons so that “**Reset Function**” is highlighted, then press ENTER.
2. Press the UP or DOWN buttons until “**Effect**” is displayed, and press ENTER.
3. Use the UP or DOWN buttons to switch between “No” or “Yes”. To reset the effects motors, select “Yes” and press ENTER.

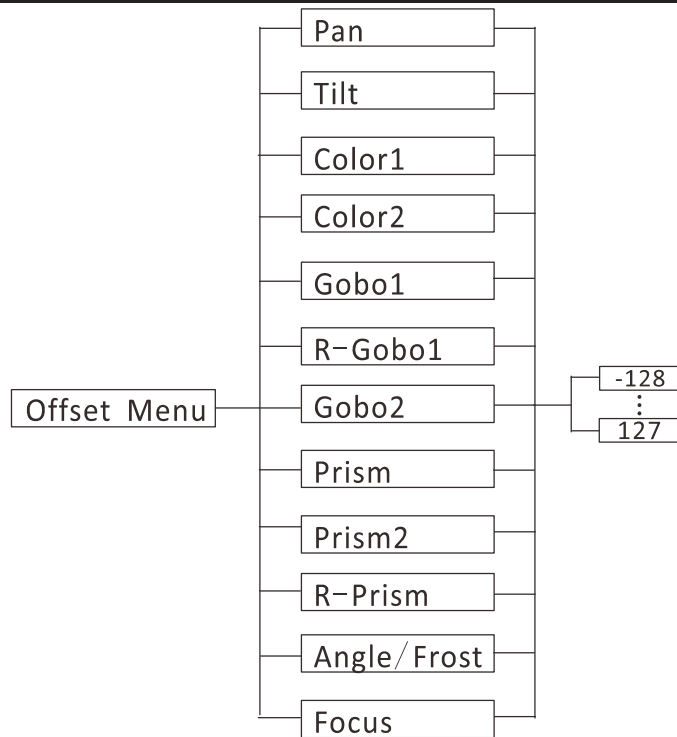
All - With this function, you can reset all of the motors.

1. Access the main menu, and press the UP or DOWN buttons so that “**Reset Function**” is highlighted, then press ENTER.
2. Press the UP or DOWN buttons until “**All**” is displayed, and press ENTER.
3. Use the UP or DOWN buttons to switch between “No” or “Yes”. To reset all of the motors, select “Yes” and press ENTER.

SPECIAL FUNCTIONS -

Special Functions - Within this menu, you can reset the fixture to the original factory settings.

1. Access the main menu, and press the UP or DOWN buttons so that “**Special Functions**” is highlighted, then press ENTER.
2. “**Factory Setting**” will now be displayed, and press ENTER.
3. To reset the fixture to factory settings, use the UP or DOWN buttons to “Yes” and press ENTER. If you do not wish to reset to factory settings, highlight “No” and press ENTER.



To enter the Offset Menu, press the ENTER button for at least 3 seconds. In this submenu you are able to adjust the home position of the pan, tilt, shutter, color wheel, both gobo wheel's, RGobo (Rotating) wheel, prism, R (Rotating) Prism, and focus position.

Pan - Adjustment of the pan home position.

1. Press the ENTER button for at least 3 seconds, then press the UP or DOWN buttons so that “**Pan**” is displayed, press ENTER.
2. Use the UP and DOWN buttons to make your adjustments, and then press ENTER to confirm. Press the MENU button for one second to exit.

TILT - Adjustment of the tilt home position.

1. Press the ENTER button for at least 3 seconds, then press the UP or DOWN buttons so that “**Tilt**” is displayed, press ENTER.

2. Use the UP and DOWN buttons to make your adjustments, and then press ENTER to confirm. Press the MENU button for one second to exit.

Color1 - Setting adjustment for color wheel 1.

1. Press the ENTER button for at least 3 seconds, then press the UP or DOWN buttons so that “**Color1**” is displayed, press ENTER.
2. Use the UP and DOWN buttons to make your adjustments, and then press ENTER to confirm. Press the MENU button for one second to exit.

Color2 - Setting adjustment for color wheel 2.

1. Press the ENTER button for at least 3 seconds, then press the UP or DOWN buttons so that “**Color2**” is displayed, press ENTER.
2. Use the UP and DOWN buttons to make your adjustments, and then press ENTER to confirm. Press the MENU button for one second to exit.

Gobo1 - Setting adjustment for gobo wheel 1 (glass gobo wheel).

1. Press the ENTER button for at least 3 seconds, then press the UP or DOWN buttons so that “**Gobo1**” is displayed, press ENTER.
2. Use the UP and DOWN buttons to make your adjustments, and then press ENTER to confirm. Press the MENU button for one second to exit.

R-Gobo1 - Setting adjustment for the gobo wheel 1 (glass gobo wheel).

1. Press the ENTER button for at least 3 seconds, then press the UP or DOWN buttons so that “**R-Gobo1**” is displayed, press ENTER.
2. Use the UP and DOWN buttons to make your adjustments, and then press ENTER to confirm. Press the MENU button for one second to exit.

Gobo2 - Setting adjustment for gobo wheel 2.

1. Press the ENTER button for at least 3 seconds, then press the UP or DOWN buttons so that “**Gobo2**” is displayed, press ENTER.
2. Use the UP and DOWN buttons to make your adjustments, and then press ENTER to confirm. Press the MENU button for one second to exit.

Prism - Setting adjustment for the 1st prism.

1. Press the ENTER button for at least 3 seconds, then press the UP or DOWN buttons so that “**Prism**” is displayed, press ENTER.
2. Use the UP and DOWN buttons to make your adjustments, and then press ENTER to confirm. Press the MENU button for one second to exit.

Prism2 - Setting adjustment for the 2nd prism.

1. Press the ENTER button for at least 3 seconds, then press the UP or DOWN buttons so that “**Prism2**” is displayed, press ENTER.
2. Use the UP and DOWN buttons to make your adjustments, and then press ENTER to confirm. Press the MENU button for one second to exit.

R-Prism - Setting adjustment for the rotating prism.

1. Press the ENTER button for at least 3 seconds, then press the UP or DOWN buttons so that “**R-Prsim**” is displayed, press ENTER.
2. Use the UP and DOWN buttons to make your adjustments, and then press ENTER to confirm. Press the MENU button for one second to exit.

Angle/Frost - Setting adjustment for the frost filter.

1. Press the ENTER button for at least 3 seconds, then press the UP or DOWN buttons so that “**Angle/Frost**” is displayed, press ENTER.
2. Use the UP and DOWN buttons to make your adjustments, and

then press ENTER to confirm. Press the MENU button for one second to exit.

FOCUS - Setting adjustment for the focus.

1. Press the ENTER button for at least 3 seconds, then press the UP or DOWN buttons so that “**Focus**” is displayed, press ENTER.
2. Use the UP and DOWN buttons to make your adjustments, and then press ENTER to confirm. Press the MENU button for one second to exit.

If any of these warning's appear and you are not certain on what form of action needs to be taken, please contact ADJ customer support for more information.

Temp. Sense Error

This will appear when the temperature check board is damaged.

CPU-8 Error, CPU-C Error, CPU-D Error

This will appear when the PC board or wires are damaged.

Memory Initial Fail

This will appear when the memory IC is damaged.

Temperature Sense Error

This will appear when the temperature check board is damaged.

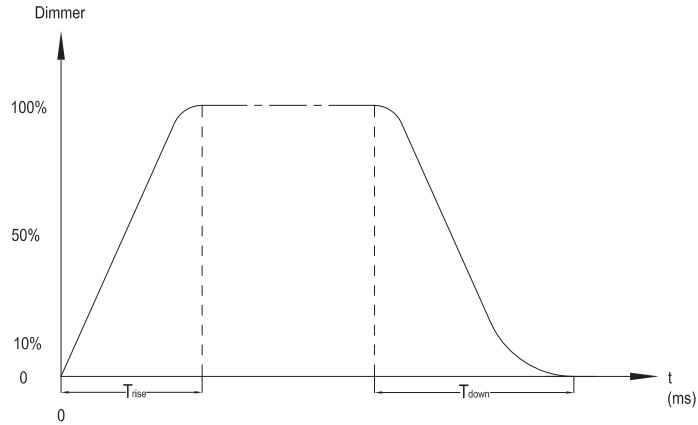
Random Error Messages

Pan Reset Error, Pan Encode Error, Tilt Reset Error, Tilt Encode Error, Shutter Reset Fail, Dimmer Reset Fail, Color Reset Fail, Gobo Reset Fail, R-Gobo1 Reset Fail, Gobo2 Reset Fail, Prism Reset Fail, R-Prism Reset Fail, Prism2 Reset Fail, Focus Reset Fail, Angle/Frost Reset Fail.

These Error messages may appear when turning on or resetting the unit. Please contact ADJ customer support.

Vizi BSW 300

Dimmer Curve Chart



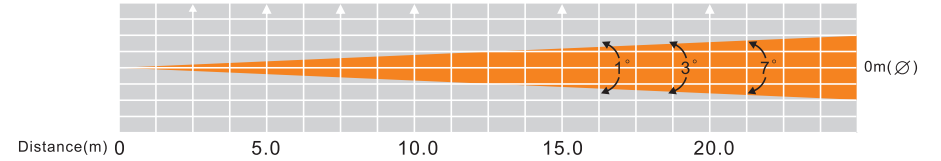
Ramp Effect	0 \rightarrow 255 OS (Fade Time)		0 \rightarrow 255 1S (Fade Time)	
	T_{rise} (ms)	T_{down} (ms)	T_{rise} (ms)	T_{down} (ms)
Standard	0	0	0	0
Stage	780	1100	1540	1660
TV	1180	1520	1860	1940
Architectural	1380	1730	2040	2120
Theatre	1580	1940	2230	2280

Vizi BSW 300

Photometric Chart

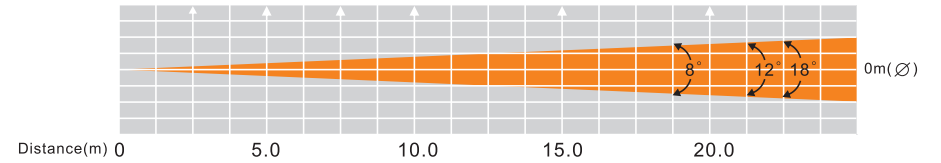
BEAM Mode

1°LUX	21560	5274	2318	1236
3°LUX	21160	5074	2250	1220
7°LUX	18660	4508	2020	1088



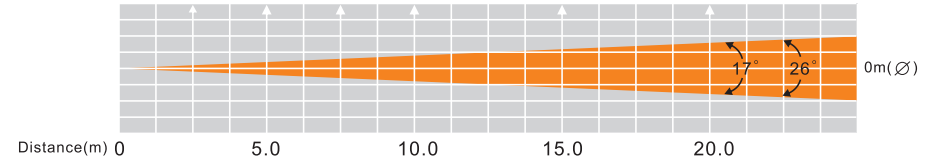
SPOT Mode

8°LUX	22380	5428	2420	1319
12°LUX	10280	2575	1127	646
18°LUX	5880	1408	660	370



WASH Mode

17°LUX	9424	2311	1100	646
26°LUX	4270	1095	558	377



The glass gobo's are the only gobo's that are interchangeable in this unit. Remember when changing these gobo's they are glass. Please do this process gently so you do not break the gobo. **Note:** There is one metal gobo in this wheel which is also interchangeable.

Caution! Never open the unit when in use. Always disconnect the main power before attempting to change the gobos.

Locating the Gobo wheel: After disconnecting the main power, position the head with the lens facing forward. Look through lens of the unit. When looking through the front lens, position the head so that the gears are on the right side. When the gears are on the right side, the shell that needs to be unscrewed is now facing up.

1. To change a gobo, unscrew the 4 screws that secure the shell to the unit. The shell is attached to the unit by a safety wire, gently lift the shell off of the unit.
2. When you remove the shell you will be able to access the gobo wheel. Turn the wheel with your hand until you come across the gobo you would like to change.
3. You have to remove the individual gobo frames. Gently push the gobo frame (Not the wheel) away from the gobo wheel, you do not have to push the gobo frame to far. While you are pushing the gobo frame away from the wheel, pull the the gobo frame up and out.
4. Once the gobo frame has been removed, you will notice that high temperature silicon is applied to the retainer ring. Using a small flat head screw driver, very gently scrape away the silicon to release the retainer ring. After the retainer ring is removed, remove the gobo.
5. Change the gobo and replace the retainer ring. Reapply high temperature silicon or high temperature gasket sealer to the same areas on the retainer ring.
6. Insert the gobo frame back into the unit, positioning it in same way as the other gobo frames.
7. Reassemble the unit.

With this feature you can connect the fixtures to one another using the PowerCON input and output sockets. The quantity that can be connected is 4 fixtures maximum @ 110V and a maximum 8 fixture's @ 240V. After maximum limit has been reached you will need to use a new power outlet. They must be the same fixtures. DO NOT mix fixtures.

Disconnect the unit from its power source. The fuse holder is located next to the powerCON connection. Using a Phillips head screw driver unscrew the fuse holder. Remove the bad fuse and replace with a new 10A fuse.

Fixture Cleaning: Due to fog residue, smoke, and dust cleaning the internal and external optical lenses and mirror should be carried out periodically to optimize light output. Cleaning frequency depends on the environment in which the fixture operates (I.e. smoke, fog residue, dust, dew). In heavy club use we recommend cleaning on a monthly basis. Periodic cleaning will ensure longevity, and crisp output.

1. Use normal glass cleaner and a soft cloth to wipe down the outside casing.
2. Use a brush to wipe down the cooling vents and fan grill.
3. Clean the external optics with glass cleaner and a soft cloth every 20 days.
4. Clean the internal optics with glass cleaner and a soft cloth every 30-60 days.
5. Always be sure to dry all parts completely before plugging the unit back in.

Trouble Shooting: Listed below are a few common problems that you may encounter, with solutions.

Unit does not work, No light output and the fan does not work;

1. Check the power connection and main fuse.
2. Be sure the fuse holder is completely and properly seated.

Not responding to DMX Control;

1. Check the DMX connectors/cables to see if they are linked properly.
2. If the DMX LED is on and no response to the channel, check the address settings and the DMX controller polarity.
3. Try using another DMX controller.
4. Check to see if the DMX cables run near or run alongside to high voltage cable. It may cause damage or interference to DMX interface circuit.

One of the channels is not working well;

1. The stepper motor might be damaged or the cable connected to the PCB is broken.
2. The motor's drive IC on the PCB might be out of condition.

Error Warnings;

1. See page 36 for Error warnings. Contact ADJ customer service.

MANUFACTURER'S LIMITED WARRANTY

- A. ADJ Products, LLC hereby warrants, to the original purchaser, ADJ Products, LLC products to be free of manufacturing defects in material and workmanship for a prescribed period from the date of purchase (see specific warranty period on reverse). This warranty shall be valid only if the product is purchased within the United States of America, including possessions and territories. It is the owner's responsibility to establish the date and place of purchase by acceptable evidence, at the time service is sought.
- B. For warranty service you must obtain a Return Authorization number (RA#) before sending back the product—please contact ADJ Products, LLC Service Department at 800-322-6337. Send the product only to the ADJ Products, LLC factory. All shipping charges must be pre-paid. If the requested repairs or service (including parts replacement) are within the terms of this warranty, ADJ Products, LLC will pay return shipping charges only to a designated point within the United States. If the entire instrument is sent, it must be shipped in its original package. No accessories should be shipped with the product. If any accessories are shipped with the product, ADJ Products, LLC shall have no liability whatsoever for loss of or damage to any such accessories, nor for the safe return thereof.
- C. This warranty is void if the serial number has been altered or removed; if the product is modified in any manner which ADJ Products, LLC concludes, after inspection, affects the reliability of the product; if the product has been repaired or serviced by anyone other than the ADJ Products, LLC factory unless prior written authorization was issued to purchaser by ADJ Products, LLC; if the product is damaged because not properly maintained as set forth in the instruction manual.
- D. This is not a service contract, and this warranty does not include maintenance, cleaning or periodic check up. During the period specified above, ADJ Products, LLC will replace defective parts at its expense with new or refurbished parts, and will absorb all expenses for warranty service and repair labor by reason of defects in material or workmanship. The sole responsibility of ADJ Products, LLC under this warranty shall be limited to the repair of the product, or replacement thereof, including parts, at the sole discretion of ADJ Products, LLC. All products covered by this warranty were manufactured after August 15, 2012, and bear indentifying marks to that effect.
- E. ADJ Products, LLC reserves the right to make changes in design and/or improvements upon its products without any obligation to include these changes in any products theretofore manufactured.

No warranty, whether expressed or implied, is given or made with respect to any accessory supplied with products described above. Except to the extent prohibited by applicable law, all implied warranties made by ADJ Products, LLC in connection with this product, including warranties of merchantability or fitness, are limited in duration to the warranty period set forth above. And no warranties, whether expressed or implied, including warranties of merchantability or fitness, shall apply to this product after said period has expired. The consumer's and/or Dealer's sole remedy shall be such repair or replacement as is expressly provided above; and under no circumstances shall ADJ Products, LLC be liable for any loss or damage, direct or consequential, arising out of the use of, or inability to use, this product.

This warranty is the only written warranty applicable to ADJ Products, LLC Products and supersedes all prior warranties and written descriptions of warranty terms and conditions heretofore published.

MANUFACTURER'S LIMITED WARRANTY PERIODS:

- **Non L.E.D. Lighting Products = 1-year (365 days) Limited Warranty** (Such as: Special Effect Lighting, Intelligent Lighting, UV lighting, Strobes, Fog Machines, Bubble Machines, Mirror Balls, Par Cans, Trussing, Lighting Stands etc. excluding LED and lamps)
- **Laser Products = 1 Year (365 Days) Limited Warranty** (excluding laser diodes which have a 6 month limited warranty)
- **L.E.D. Products = 2-year (730 days) Limited Warranty** (excluding batteries which have a 180 day limited warranty). **Note: 2 Year Warranty only applies to purchases within the United States.**
- **StarTec Series = 1 Year Limited Warranty** (excluding batteries which have a 180 day limited warranty).
- **ADJ DMX Controllers = 2 Year (730 Days) Limited Warranty**

Model:	Vizi BSW 300
Voltage:	100~240V, 50/60Hz
LED:	1 x 300W White LED
Color Temperature:	8000K
Life Expectancy:	50000 Hours
CRI:	70
Power Cord Daisy Chain:	4 Fixtures Max. (120V) 8 Fixtures Max. (230V)
Power Consumption:	345W, 2.851 Amps @ 120V, 60Hz 338W, 1.525 Amps @ 130V, 50Hz
Beam Angle:	1-7 Degree Beam Angle (Beam) 8-17 Degree Beam Angle (Spot) 18-26 Degree Beam Angle (Wash)
Dimensions:	12.75"(L) x 14.75"(W) x 21.5"(H) 325mm x 376mm x 545mm
Weight:	49 Lbs. / 22 kgs.
Colors:	14 + White (2 Separate Color Wheels, 7 Color's for each wheel + White on each wheel)
Gobos:	- 3 Glass & 4 Metal Replaceable Rotating Gobo's + Spot (1st Gobo Wheel) - 6 Fixed Gobo's + Spot & 3 Variably Sized Beam Aperture's (2nd Gobo Wheel)
Replaceable Gobos:	26.9mm (18mm Viewable) 0.3mm (Thickness Metal Gobo) 1.1mm (Thickness Glass Gobo's)
Pan:	540 Degrees
Tilt:	240 Degrees
Strobe Rate:	0.3 to 20Hz
Flicker Free:	1.2KHz
Fuse:	10A
DMX:	2 DMX Channel Modes: 17 & 20
Power Cable:	1.5M Neutrik powerCON Cable
Warranty:	2 Year (730 days)

Please Note: Specifications and improvements in the design of this unit and this manual are subject to change without any prior written notice.

ADJ Products, LLC
6122 S. Eastern Ave. Los Angeles, CA 90040 USA
Tel: 323-582-2650 / Fax: 323-725-6100
Web: www.adj.com / E-mail: info@americandj.com

A.D.J. Supply Europe B.V.
Junostraat 2
6468 EW Kerkrade
The Netherlands

Follow Us On:



facebook.com/americandj
twitter.com/americandj
youtube.com/adjlighting

service@adjgroup.eu / www.adj.eu
Tel: +31 45 546 85 00 / Fax: +31 45 546 85 99