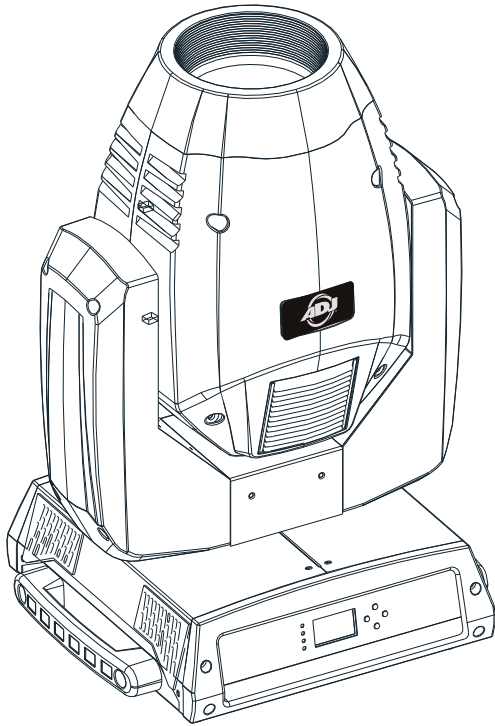




# VIZI HYBRID I6RX



## User Instructions

©2015 ADJ Products, LLC all rights reserved. Information, specifications, diagrams, images, and instructions herein are subject to change without notice. ADJ Products, LLC logo and identifying product names and numbers herein are trademarks of ADJ Products, LLC. Copyright protection claimed includes all forms and matters of copyrightable materials and information now allowed by statutory or judicial law or hereinafter granted. Product names used in this document may be trademarks or registered trademarks of their respective companies and are hereby acknowledged. All non-ADJ Products, LLC brands and product names are trademarks or registered trademarks of their respective companies.

**ADJ Products, LLC** and all affiliated companies hereby disclaim any and all liabilities for property, equipment, building, and electrical damages, injuries to any persons, and direct or indirect economic loss associated with the use or reliance of any information contained within this document, and/or as a result of the improper, unsafe, insufficient and negligent assembly, installation, rigging, and operation of this product.



Europe Energy Saving Notice

Energy Saving Matters (EuP 2009/125/EC)

Saving electric energy is a key to help protecting the environment. Please turn off all electrical products when they are not in use. To avoid power consumption in idle mode, disconnect all electrical equipment from power when not in use. Thank you!

# Vizi Hybrid 16RX

## Table of Contents

Unpacking.....	3
Introduction.....	3
Customer Support.....	3
Safety Precautions.....	4
Features.....	5
Handling Precautions.....	6
Registration.....	6
Important Discharge Lamp Warnings.....	7
Fire Warning.....	7
Mounting.....	8-9
CAD Drawing.....	10
Base Layout.....	11
DMX Set-Up.....	12-14
DMX Control.....	15
DMX Traits.....	16-20
System Menu.....	21-31
Offset Menu.....	32-35
Error Information.....	36-37
Fuse Replacement.....	38
Lamp Replacement.....	38-40
Photometric Chart.....	38
Changing the Glass Gobo.....	41
Cleaning.....	42
Trouble Shooting.....	42
Warranty.....	43
Specifications.....	46

Please see page 7 for important lamp instructions!

**Warning this fixture can start a fire, please see page 7 for precautions.**

**Unpacking:** Thank you for purchasing the Vizi Hybrid 16RX by ADJ Products, LLC®. Every Vizi Hybrid 16RX has been thoroughly tested and has been shipped in perfect operating condition. Carefully check the shipping carton for damage that may have occurred during shipping. If the carton appears to be damaged, carefully inspect your fixture for any damage and be sure all equipment necessary to operate the unit has arrived intact. In the event damage has been found or parts are missing, please contact our toll free customer support number for further instructions. Please do not return this unit to your dealer without contacting customer support first.

**Introduction:** The Vizi Hybrid 16RX is a DMX intelligent, moving head fixture. The Vizi Hybrid 16RX is a 19 channel DMX unit. This fixture is a DMX controlled unit. *For best results use fog or special effects smoke to enhance the beams projections.*

**During the initial start-up or use of this product a light smoke or smell may arise from the unit. This is a normal process and is cause by the heat associated with the lamp.**

**Customer Support:** ADJ Products, LLC® provides a toll free customer support line, to provide help and to answer any question should you encounter problems during your set up or initial operation. You may also visit us on the web at [www.adj.com](http://www.adj.com) for any comments or suggestions. Service Hours are Monday through Friday 8:00 a.m. to 4:30 p.m. Pacific Standard Time.

Voice: (800) 322-6337

Fax: (323) 582-2610

E-mail: [support@americandj.com](mailto:support@americandj.com)

To purchase parts online visit <http://parts.americandj.com>

**Warning!** To prevent or reduce the risk of electrical shock or fire, do not expose this unit to rain or moisture.

**Warning! This may cause severe eye damage. Avoid looking directly into the light source at all times!**

**WARNING! CAUTION! FIRE HAZARD! DUE TO THE EXTREME HEAT CAUSED BY THIS LAMP, THE MINIMUM DISTANCE TO LIGHTED OBJECTS IS 12 METERS (40FT).**

***For Your Own Personal Safety, Please Read and Understand This Manual Completely Before You Attempt To Install Or Operate This Unit!***

- To reduce the risk of electrical shock or fire, do not expose this unit rain or moisture
- Do not spill water or other liquids into or on to your unit.
- Be sure that the local power outlet match that of the required voltage for your unit.
- Do not attempt to operate this unit if the power cord has been frayed or broken.
- Do not attempt to remove or break off the ground prong from the electrical cord. This prong is used to reduce the risk of electrical shock and fire in case of an internal short.
- Disconnect from main power before making any type of connection.
- Do not remove the cover under any conditions. There are no user serviceable parts inside.
- Never operate this unit when it's cover is removed.
- Always be sure to mount this unit in an area that will allow proper ventilation. Allow about 6" (15cm) between this device and a wall.
- Do not attempt to operate this unit, if it becomes damaged.
- This unit is intended for indoor use only, use of this product outdoors voids all warranties.
- Always mount this unit in safe and stable matter.
- Power-supply cords should be routed so that they are not likely to be walked on or pinched by items placed upon or against them, paying particular attention to cords at plugs, convenience receptacles, and the point where they exit from the appliance.
- Cleaning -The fixture should be cleaned only as recommended by the manufacturer. See page 40 for cleaning details.
- Heat -This fixture should be situated away from heat sources such as radiators, heat registers, stoves, or other appliances (including amplifiers) that produce heat.
- The fixture should be serviced by qualified service personnel when:
  - A. Objects have fallen, or liquid has been spilled into the appliance.
  - B. The appliance has been exposed to rain or water.
  - C. The appliance does not appear to operate normally or exhibits a marked change in performance.

- Philips® Platinum 16R Discharge Lamp
- Micro-Stepping Motors for Smooth Color and Gobo Transitions
- DMX-512 Protocol Compatible (19 DMX Channels)
- 3/5-Pin XLR In/Out
- Independent Gobo and Color Wheels
- 2 Separate Gobo Wheels
  - 16 Static Fixed Gobos + Spot & Frost
  - 12 Colored Glass Rotating Gobos + Spot
- 14 Colors, Plus White and Split Colors
- 6 Facet Prism & 8 Facet Prism with Prism Morphing
- Prism Rotation
- Frost Filter
- Strobe Effect
- Motorized Focus
- Motorized Zoom
- 3-32 Degree Beam Angle
- 360° Pan Movement Standard (540° Degree Optional)
- 270° Tilt Movement
- Pan/Tilt Invert
- Pan/Tilt Speed Adjustment
- Digital Display for Address and Function Setting

## Vizi Hybrid 16RX

## General Instructions

To optimize the performance of this product, please read these operating instructions carefully to familiarize yourself with the basic operations of this unit. These instructions contain important safety information regarding the use and maintenance of this unit. Please keep this manual with the unit, for future reference.

## Vizi Hybrid 16RX

## Handling Precautions

**Caution!** There are no user serviceable parts inside this unit. Do not attempt any repairs yourself, doing so will void your manufacturer's warranty. In the unlikely event your unit may require service please contact ADJ®.

*During operation the housing may become extremely hot. Avoid touching the unit with bare hands while in use.*

*ADJ® will not accept any liability for any resulting damages caused by the non-observance of this manual or any unauthorized modification to this unit.*

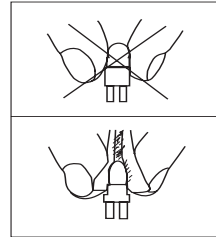
## Vizi Hybrid 16RX

## Product Registration

The Vizi Hybrid 16RX carries a one year limited warranty. Please fill out the enclosed warranty card to validate your purchase. All returned service items whether under warranty or not, must be freight pre-paid and accompany a return authorization (R.A.) number. The R.A. number must be clearly written on the outside of the return package. A brief description of the problem as well as the R.A. number must also be written down on a piece of paper and included in the shipping carton. If the unit is under warranty, you must provide a copy of your proof of purchase invoice. You may obtain a R.A. number by contacting our customer support team on our toll free customer support number. All packages returned to the service department not displaying a R.A. number on the outside of the package will be returned to the shipper at the shipper's cost.

## Vizi Hybrid 16RX

## Important Discharge Lamp Warnings



This fixture is fitted with a discharge lamp which is highly susceptible to damage if improperly handled. Never touch the lamp with your bare fingers as the oil from your hands will shorten lamp life. Also, never move the fixture until the lamps have had ample time to cool. Remember, lamps are not covered under warranty conditions.

This unit emits intense UV radiation which is harmful to the eyes and skin. The intense luminance of the lamp can cause severe damage to the retina. Never operate this unit without its covers, these covers have been specially designed to shield against UV radiation.

**Epileptic Warning:** *Those suffering from epilepsy should avoid looking directly into the lamp at all times.*

Avoid switching the fixture on and off repeatedly in short intervals as this will reduce lamp life and intensity.

To achieve the intensity associated with discharge lamps, these lamps use gas sealed in a high pressure environment to emit a brilliant output. Due to the high pressure involved with the construction of the lamp, the lamp may explode during prolonged extensive use. This risk is increased with age, added care is encouraged when dealing with older lamps. Extreme caution should be used when operating this or any fixture fitted with a gas discharge lamp. Never open this unit while in use.

**VERY IMPORTANT:** This is for your safety and the life length of the unit. The Philips® Platinum 16R Discharge lamp has lifetime of 1500 hours.

ADJ recommends periodically checking the lamp running time (see page 29 "Lamp Use Hour"). When the lamp reaches the 1500 hour mark, or close to it, we strongly suggest you switch the lamp out.

Replace the lamp following the instructions on pages 38-39. After replacing the lamp you must clear the LAMP RUNNING TIME (see page 29 "Lamp Use Hour").

**Warning: DO NOT use this lamp more than 1500 hours. Using the lamp any longer than the set life could seriously damage your unit.**

**WARNING! CAUTION! FIRE HAZARD! DUE TO THE EXTREME HEAT CAUSED BY THIS LAMP, THE MINIMUM DISTANCE TO LIGHTED OBJECTS IS 12 METERS (40FT).**

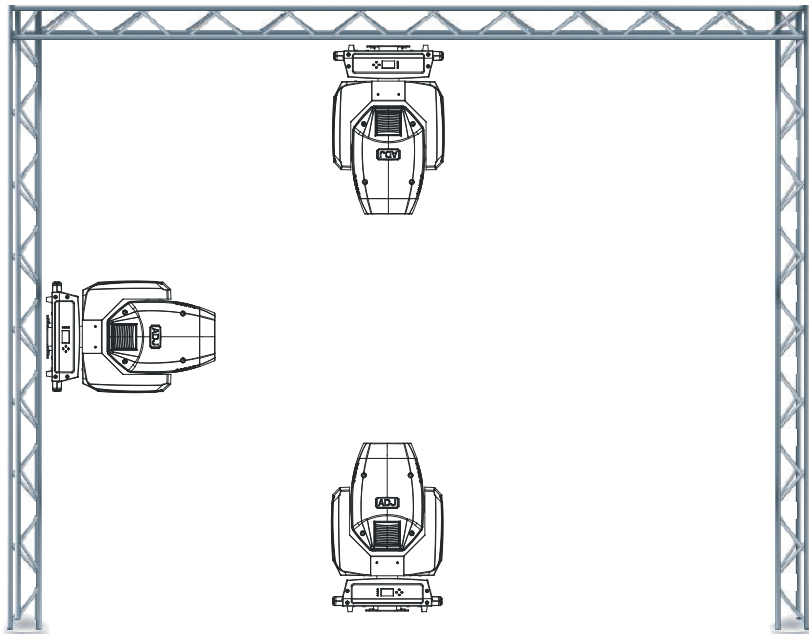
## Vizi Hybrid 16RX

## Mounting

When installing the unit, the trussing or area of installation must be able to hold 10 times the weight without any deformation. When installing the unit must be secured with a secondary safety attachment, e.g. and appropriate safety cable. Never stand directly below the unit when mounting, removing, or servicing the unit.

Overhead mounting requires extensive experience, including calculating working load limits, installation material being used, and periodic safety inspection of all installation material and unit. If you lack these qualifications, do not attempt the installation yourself.

These installaiton should be checked by a skilled person once a year.

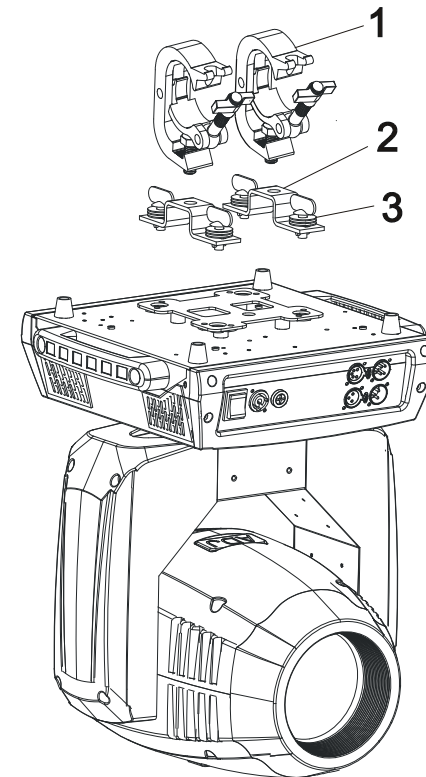


The Vizi Hybrid 16RX is fully operational in three different mounting positions, hanging upside-down from a ceiling, sideways on trussing, or set on a flat level surface. Be sure this fixture is kept at least 12m (40ft) away from any flammable materials (decoration etc.). Always use and install the supplied safety cable as a safety measure to prevent accidental damage and/or injury in the event the clamp fails (see next page). Never use the carrying handles for secondary attachment.

## Vizi Hybrid 16RX

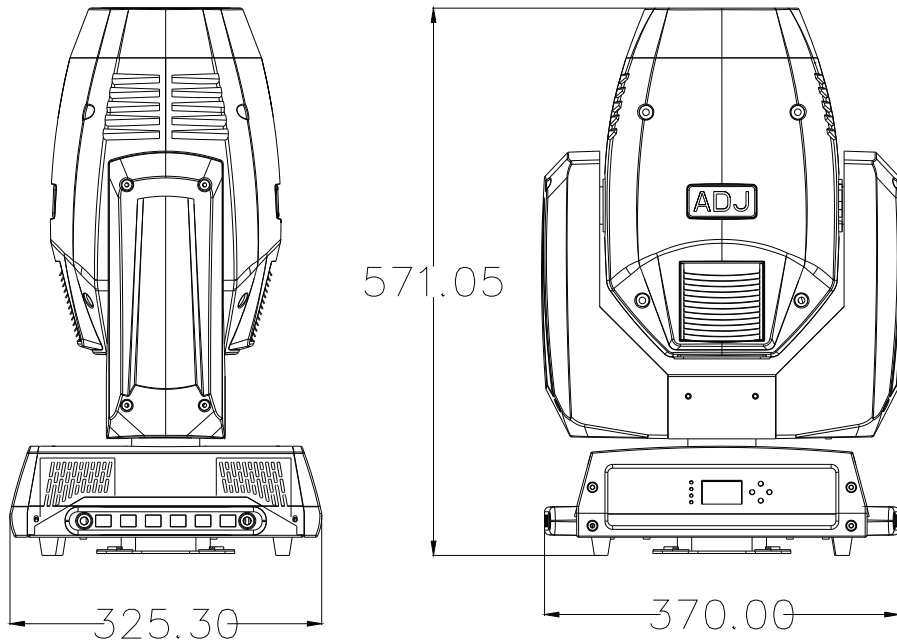
## Mounting

**NOTICE:** The suitable enviromental temperature for this lighting fixture is between  $-25^{\circ}\text{C}$  to  $45^{\circ}\text{C}$ . Do not place this lighting fixture in an enviroment where the temperatures are under or above the temperatures stated above. This will allow the fixture to run at its best and help prolong the fixture life.



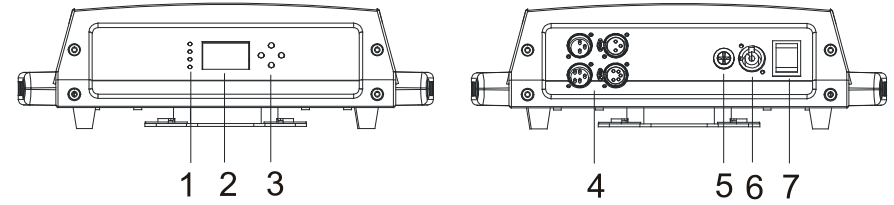
1. Clamp
2. Omega-holders
3. Quick-lock fastener

Screw one clamp each via a M12 screw and nut onto the Omega holders. Insert the quick-lock fasteners of the first Omega holder into the respective holes on the bottom of the Vizi Hybrid 16RX. Tighten the quick-lock fasteners fully clockwise. Install the second Omega holder. Pull the safety-cable through the openings located on the base plate and over the trussing system or a safe fixation spot. Insert the end in the carabine and tighten the safety screw.



Front view

Rear view



1. LED:

POWER	On	Power on
DMX	On	DMX input present

2. Display: To show the various menus and the selected function.

3. Button:

MENU	To enter into move backward or leave the menu
UP	To go backward to move up in the menu
DOWN	To go to move down in the menu
ENTER	To perform the desired functions

4. DMX input/output: For DMX 512 operation, use 3/5-pin XLR plug cable to link the unit together

5. Fuse (T 10A): Protect the unit from damage of over current.

6. Power Cable: To connect to the mains supply

7. Power Switch: Turns On/Off the power

**Power Supply:** The ADJ® Vizi Hybrid 16RX contains a electronic ballast, which will auto sense the voltage when it is plugged into the power source. With the electronic ballast you do not need to worry about wall voltage, this unit can be plugged in anywhere.

**DMX-512:** DMX is short for Digital Multiplex. This is a universal protocol used by most lighting and controller manufactures as a form of communication between intelligent fixtures and controllers. A DMX controller sends DMX data instructions from the controller to the fixture. DMX data is sent as serial data that travels from fixture to fixture via the DATA “IN” and DATA “OUT” XLR terminals located on all DMX fixtures (most controllers only have a DATA “OUT” terminal).

**DMX Linking:** DMX is a language allowing all makes and models of different manufactures to be linked together and operate from a single controller, as long as all fixtures and the controller are DMX compliant. *To ensure proper DMX data transmission, when using several DMX fixtures try to use the shortest cable path possible. The order in which fixtures are connected in a DMX line does not influence the DMX addressing. For example; a fixture assigned a DMX address of 1 may be placed anywhere in a DMX line, at the beginning, at the end, or anywhere in the middle. Therefore, the first fixture controlled by the controller could be the last fixture in the chain. When a fixture is assigned a DMX address of 1, the DMX controller knows to send DATA assigned to address 1 to that unit, no matter where it is located in the DMX chain.*

**Data Cable (DMX Cable) Requirements (For DMX and Master/Slave Operation):** The Vizi Hybrid 16RX can be controlled via DMX-512 protocol. The Vizi Hybrid 16RX is a 19 channel DMX unit. The DMX address is set electronically using the controls on the front panel of the unit. Your unit and your DMX controller require a approved DMX-512 110 Ohm Data cable for data input and data output (Figure 1). We recommend Accu-Cable DMX cables. If you are making your own cables, be sure to use standard 110-120 Ohm shielded cable (This cable may be purchased at almost all professional sound and lighting stores). Your cables should be made with a male and female XLR connector on either end of the cable.



Figure 1

Also remember that DMX cable must be daisy chained and cannot be split.

**Notice:** Be sure to follow figures two and three when making your own cables. Do not use the ground lug on the XLR connector. Do not connect the cable’s shield conductor to the ground lug or allow the shield conductor to come in contact with the XLR’s outer casing. Grounding the shield could cause a short circuit and erratic behavior.

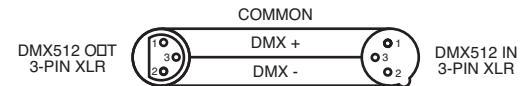


Figure 2

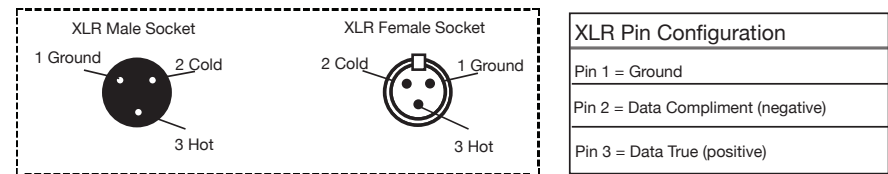


Figure 3

**Special Note: Line Termination.** When longer runs of cable are used, you may need to use a terminator on the last unit to avoid erratic behavior. A terminator is a 110-120 ohm 1/4 watt resistor which is connected between pins 2 and 3 of a male XLR connector (DATA + and DATA -). This unit is inserted in the female XLR connector of the last unit in your daisy chain to terminate the line. Using a cable terminator (ADJ part number Z-DMX/T) will decrease the possibilities of erratic behavior.



Termination reduces signal errors and avoids signal transmission problems and interference. It is always advisable to connect a DMX terminal. (Resistance 120 Ohm 1/4 W) between PIN 2 (DMX-) and PIN 3 (DMX +) of the last fixture.

Figure 4

**5-Pin XLR DMX Connectors.** Some manufactures use 5-pin DMX-512 data cables for DATA transmission in place of 3-pin. 5-pin DMX fixtures may be implemented in a 3-pin DMX line. When inserting standard 5-pin data cables in to a 3-pin line a cable adaptor must be used, these adaptors are readily available at most electric stores. The chart below details a proper cable conversion.

3-Pin XLR to 5-Pin XLR Conversion		
Conductor	3-Pin XLR Female (Out)	5-Pin XLR Male (In)
Ground/Shield	Pin 1	Pin 1
Data Compliment (- signal)	Pin 2	Pin 2
Data True (+ signal)	Pin 3	Pin 3
Not Used		Pin 4 - Do Not Use
Not Used		Pin 5 - Do Not Use

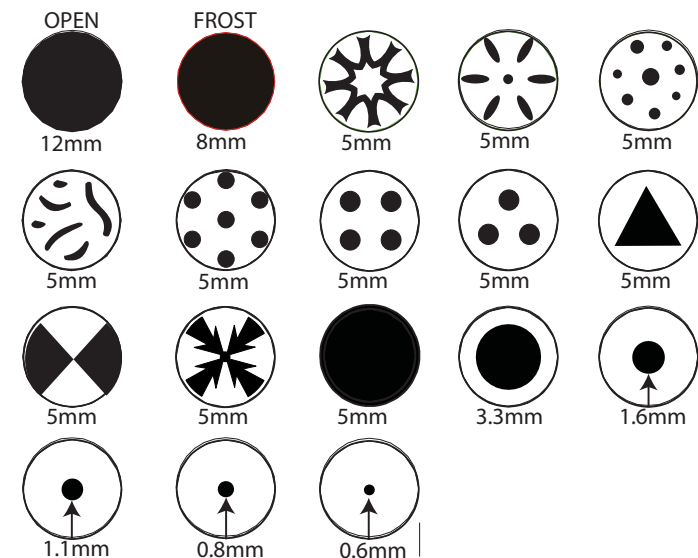
**Universal DMX Control:** This function allows you to use a universal DMX-512 controller. A DMX controller allows you to create unique programs tailored to your individual needs.

1. The Vizi Hybrid 16RX has a 19 DMX channels. See pages 16-20 for detailed description of the DMX traits.
2. To control your fixture in DMX mode, follow the set-up procedures on pages 12-14 as well as the set-up specifications that are included with your DMX controller.
3. Follow the instructions on page 14 to select your desired DMX address.
4. Use the controller's faders to control the various DMX fixture traits.
5. For longer cable runs (more than a 100 feet) use a terminator on the last fixture.
6. For help operating in DMX mode consult the manual included with your DMX controller.

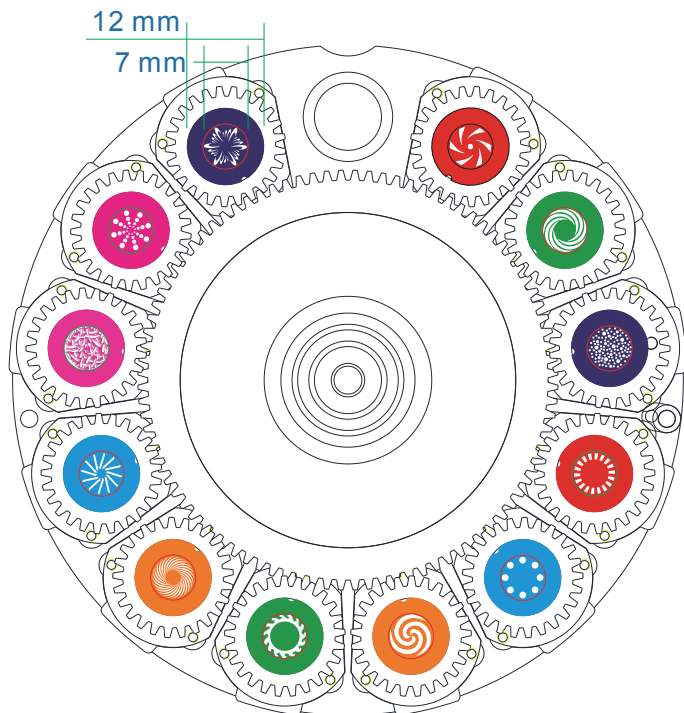


Vizi Hybrid 16RX		DMX Mode Values & Traits
Channel	Value	Function
1	0 - 255	PAN MOVEMENT
2	0 - 255	PAN FINE
3	0 - 255	TILT MOVEMENT
4	0 - 255	TILT FINE
5		COLOR WHEEL
	0 - 2	WHITE
	3 - 4	WHITE & RED
	5 - 6	RED
	7 - 8	RED & BLUE
	9 - 10	BLUE
	11 - 12	BLUE & GREEN
	13 - 14	GREEN
	15 - 16	GREEN & YELLOW
	17 - 18	YELLOW
	19 - 21	YELLOW & ORANGE
	22 - 23	ORANGE
	24 - 25	ORANGE & MAGENTA
	26 - 27	MAGENTA
	28 - 29	MAGENTA & LIGHT BLUE
	30 - 31	LIGHT BLUE
	32 - 33	LIGHT BLUE & LIGHT YELLOW
	34 - 35	LIGHT YELLOW
	36 - 37	LIGHT YELLOW & LIGHT GREEN
	38 - 39	LIGHT GREEN
	40 - 42	LIGHT GREEN & PURPLE
	43 - 44	PURPLE
	45 - 46	PURPLE & PINK
	47 - 48	PINK
	49 - 50	PINK & MEDIUM YELLOW
	51 - 52	MEDIUM YELLOW
	53 - 54	MEDIUM YELLOW & CTB
	55 - 56	CTB
	57 - 58	CTB & UV
	59 - 60	UV
	61 - 63	UV & WHITE
	64 - 127	COLOR INDEXING
	128 - 189	CLOCKWISE ROTATION FAST - SLOW
	190 - 193	NO ROTATION
	194 - 255	COUNTER-CLOCKWISE ROTATION SLOW - FAST

Vizi Hybrid 16RX		DMX Mode Values & Traits
Channel	Value	Function
6		GOBO WHEEL 1
	0 - 3	OPEN
	4 - 6	GOBO 1
	7 - 9	GOBO 2
	10 - 12	GOBO 3
	13 - 15	GOBO 4
	16 - 18	GOBO 5
	19 - 21	GOBO 6
	22 - 24	GOBO 7
	25 - 27	GOBO 8
	28 - 30	GOBO 9
	31 - 33	GOBO 10
	34 - 36	GOBO 11
	37 - 39	GOBO 12
	40 - 42	GOBO 13
	43 - 45	GOBO 14
	46 - 48	GOBO 15
	49 - 55	GOBO 16
	56 - 127	GOBO SHAKE GOBOS 1-16
	128 - 189	COUNTER-CLOCKWISE ROTATION FAST - SLOW
	190 - 193	NO ROTATION
	194 - 255	CLOCKWISE ROTATION SLOW - FAST

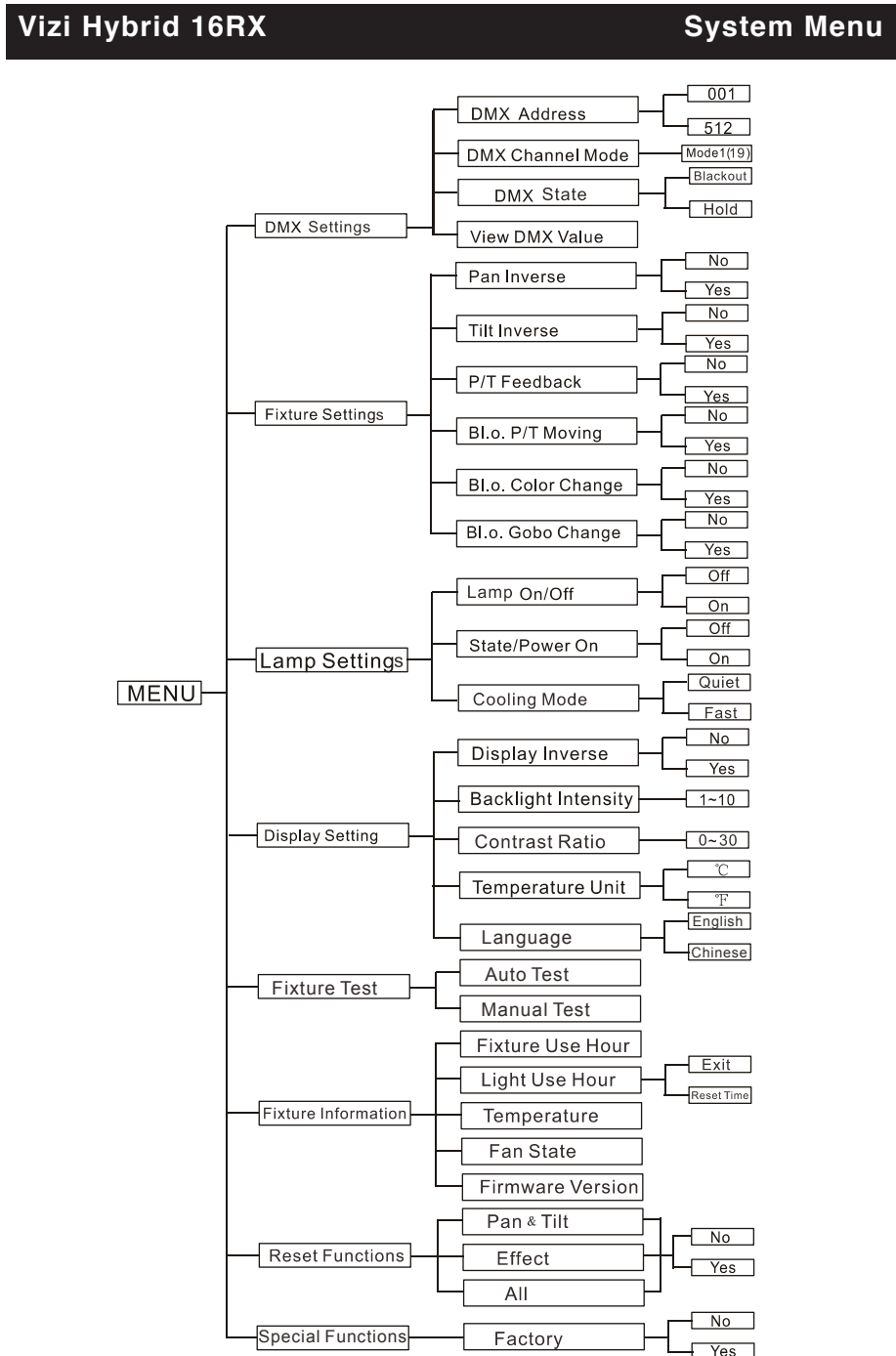


Vizi Hybrid 16RX		DMX Mode Values & Traits
Channel	Value	Function
7	0 - 5	GOBO WHEEL 2 (GLASS GOBO'S) OPEN
	6 - 10	GOBO 1
	11 - 15	GOBO 2
	16 - 20	GOBO 3
	21 - 25	GOBO 4
	26 - 30	GOBO 5
	31 - 36	GOBO 6
	37 - 41	GOBO 7
	42 - 46	GOBO 8
	47 - 51	GOBO 9
	52 - 56	GOBO 10
	57 - 61	GOBO 11
	62 - 67	GOBO 12
	68 - 127	GOBO SHAKE GOBOS 1-12
	128 - 189	COUNTER-CLOCKWISE ROTATION FAST - SLOW
190 - 193	NO ROTATION	
194 - 255	CLOCKWISE ROTATION SLOW - FAST	



Vizi Hybrid 16RX		DMX Mode Values & Traits
Channel	Value	Function
8	0 - 127	GOBO WHEEL 2 GOBO ROTATION INDEXING
	128 - 189	CLOCKWISE ROTATION FAST - SLOW
	190 - 193	NO ROTATION
	194 - 255	COUNTER-CLOCKWISE ROTATION SLOW - FAST
9	0 - 7	PRISM 1 (8 FACET) NO PRISM EFFECT
	8 - 255	PRISM ACTIVE
10	0 - 127	PRISM 1 ROTATION INDEXING
	128 - 189	COUNTER-CLOCKWISE ROTATION FAST - SLOW
	190 - 193	NO ROTATION
	194 - 255	CLOCKWISE ROTATION SLOW - FAST
11	0 - 7	PRISM 2 (6 FACET) NO PRISM EFFECT
	8 - 255	PRISM ACTIVE
12	0 - 127	PRISM 2 ROTATION INDEXING
	128 - 189	COUNTER-CLOCKWISE ROTATION FAST - SLOW
	190 - 193	NO ROTATION
	194 - 255	CLOCKWISE ROTATION SLOW - FAST
13	0 - 7	SHUTTER & STROBE SHUTTER CLOSED
	8 - 15	SHUTTER OPEN
	16 - 131	STROBING SLOW - FAST
	132 - 167	SLOW OPEN - FAST CLOSE
	168 - 203	FAST OPEN - SLOW CLOSE
	204 - 239	SLOW OPEN - SLOW CLOSE
	240 - 247	RANDOM STROBE
248 - 255	OPEN	
14	0 - 255	MASTER DIMMER 0% - 100%
	0 - 255	FOCUS NEAR - FAR
16	0 - 255	ZOOM 3° - 32°
	0 - 7	FROST NO FUNCTION
8 - 255	0% - 100%	

Vizi Hybrid 16RX		DMX Mode Values & Traits
Channel	Value	Function
18	0 - 255	PAN/TILT SPEED FAST - SLOW
19	0 - 49	SPECIAL FUNCTIONS NO FUNCTION
	50 - 59	ENABLE FROST WITH COLOR CHANGE
	60 - 69	DISABLE FROST WITH COLOR CHANGE
	70 - 79	ENABLE BLACKOUT WITH PAN/TILT MOVEMENT
	80 - 89	DISABLE BLACKOUT WITH PAN/TILT MOVEMENT
	90 - 99	ENABLE BLACKOUT WITH COLOR CHANGE
	100 - 109	DISABLE BLACKOUT WITH COLOR CHANGE
	110 - 119	ENABLE BLACKOUT WITH GOBO CHANGE
	120 - 129	DISABLE BLACKOUT WITH GOBO CHANGE
	130 - 139	LAMP ON
	140 - 149	PAN/TILT RESET
	150 - 159	EFFECT RESET
	160 - 169	FAN SPEED QUIET
	170 - 179	FAN SPEED FAST
	180 - 189	LAMP FULL POWER
	190 - 199	LAMP HALF POWER
	200 - 209	RESET ALL
	210 - 229	NO FUNCTION
	230 - 239	LAMP OFF
	240 - 255	NO FUNCTION



**System Menu:** When making adjustments press **ENTER** to confirm your setup then press and hold the **MENU** button for at least 3 seconds. To exit without making any adjustments press the **MENU** button. The display will lock after 30 seconds, press the **MENU** button for 3 seconds to unlock.

#### **DMX SETTINGS -**

**DMX Address** - With this function, you can adjust the desired DMX-address via the Control Board.

1. Access the main menu, and press the UP or DOWN buttons so that “**DMX Settings**” is highlighted, then press ENTER.
2. Press the UP or DOWN buttons until “**DMX Address**” is displayed, and press ENTER. The current DMX address will now be displayed.
3. Use the UP or DOWN buttons to adjust the DMX address.
4. Press ENTER to confirm or press MENU button to return to the main menu.

**DMX Channel Mode** - With this function, you can see the how many DMX channels the fixture has.

1. Access the main menu, and press the UP or DOWN buttons so that “**DMX Settings**” is highlighted, then press ENTER.
2. Press the UP or DOWN buttons until “**DMX Channel Mode**” is displayed, and press ENTER. The number of DMX channels will now be displayed.
3. Press the MENU button to return to the main menu.

**DMX State** - This mode can be used as a precaution mode, that in case the DMX signal is lost, interrupted, or power is lost, the operating mode chosen in this setup is the running mode the fixture will go into when the DMX signal is lost. You can also set this as the running mode you would like the unit to return to when power is applied.

1. Access the main menu, and press the UP or DOWN buttons so that “**DMX Settings**” is highlighted, then press ENTER.

2. Press the UP or DOWN buttons until “**DMX State**” is displayed, and press ENTER. Use the UP and DOWN buttons to switch between the two modes; Blackout or Hold. Press the ENTER button to make your selection.

- **HOLD** - If the DMX signal is lost the fixture will stay in the last DMX setting. If power is applied and this mode is set, the unit will automatically go into the last DMX set up.
  - **BLACKOUT** - If the DMX signal is lost or interrupted, the unit will automatically go into stand by mode.
3. Press the MENU button to return to the main menu.

**DMX Value** - This function will allow you to see the DMX value of each DMX channel that is currently being used at the time.

1. Access the main menu, and press the UP or DOWN buttons so that “**DMX Settings**” is highlighted, then press ENTER.
2. Press the UP or DOWN buttons until “**DMX Value**” is displayed, and press ENTER.
3. A DMX Channel will be displayed. **Example:** Prism, Color Wheel, Gobo Wheel, etc... Press ENTER when you find the DMX channel that you would like to check. When you press ENTER the DMX value of that channel will displayed.
4. Press the MENU button to exit and return to the main menu.

#### **FIXTURE SETTINGS -**

**Pan Inverse** - With this function, you can reverse the Pan movement.

1. Access the main menu, and press the UP or DOWN buttons so that “**Fixture Settings**” is highlighted, then press ENTER.
2. Press the UP or DOWN buttons until “**Pan Inverse**” is displayed, and press ENTER. The current setting will now be displayed.
3. Use the UP or DOWN buttons to switch between “YES” and “NO”. Selecting “YES” will activate pan inverse, “NO” will deactivate the function.
4. Press ENTER to confirm your selection or press the MENU button

to return to the main menu.

**Tilt Inverse** - With this function, you can reverse the Tilt movement.

1. Access the main menu, and press the UP or DOWN buttons so that “**Fixture Settings**” is highlighted, then press ENTER.
2. Press the UP or DOWN buttons until “**Tilt Inverse**” is displayed, and press ENTER. The current setting will now be displayed.
3. Use the UP or DOWN buttons to switch between “YES” and “NO”. Selecting “YES” will activate tilt inverse, “NO” will deactivate the function.
4. Press ENTER to confirm your selection or press the MENU button to return to the main menu.

**P/T Feedback** - With this function, you have the pan and tilts position feedback while out of step or not feedback while out of step.

1. Access the main menu, and press the UP or DOWN buttons so that “**Fixture Settings**” is highlighted, then press ENTER.
2. Press the UP or DOWN buttons until “**P/T Feedback**” is displayed, and press ENTER. The current setting will now be displayed.
3. Use the UP or DOWN buttons to switch between “YES” and “NO”. Selecting “YES” will activate feedback, “NO” will deactivate the function.
4. Press ENTER to confirm your selection or press the MENU button to return to the main menu.

**BLO. P/T Moving** - With this function, the fixture will blackout with pan and tilt movement.

1. Access the main menu, and press the UP or DOWN buttons so that “**Fixture Settings**” is highlighted, then press ENTER.
2. Press the UP or DOWN buttons until “**BLO. P/T Moving**” is displayed, and press ENTER. The current setting will now be displayed.
3. Use the UP or DOWN buttons to switch between “YES” and “NO”. Selecting “YES” will activate the blackout function, “NO” will deactivate the function.

vate the function.

4. Press ENTER to confirm your selection or press the MENU button to return to the main menu.

**BLO. Color Change** - With this function, the fixture will blackout with while changing colors.

1. Access the main menu, and press the UP or DOWN buttons so that “**Fixture Settings**” is highlighted, then press ENTER.
2. Press the UP or DOWN buttons until “**BLO. Color Change**” is displayed, and press ENTER. The current setting will now be displayed.
3. Use the UP or DOWN buttons to switch between “YES” and “NO”. Selecting “YES” will activate the blackout function, “NO” will deactivate the function.
4. Press ENTER to confirm your selection or press the MENU button to return to the main menu.

**BLO. Gobo Change** - With this function, the fixture will blackout with while changing gobos.

1. Access the main menu, and press the UP or DOWN buttons so that “**Fixture Settings**” is highlighted, then press ENTER.
2. Press the UP or DOWN buttons until “**BLO. Gobo Change**” is displayed, and press ENTER. The current setting will now be displayed.
3. Use the UP or DOWN buttons to switch between “YES” and “NO”. Selecting “YES” will activate the blackout function, “NO” will deactivate the function.
4. Press ENTER to confirm your selection or press the MENU button to return to the main menu.

#### **LAMP SETTINGS -**

**Lamp On/Off** - With this function, you can switch the lamp On or Off from the control board.

1. Access the main menu, and press the UP or DOWN buttons so that “**Lamp Settings**” is highlighted, then press ENTER.

2. Press the UP or DOWN buttons until “**Lamp On/Off**” is displayed, and press ENTER. The current setting will now be displayed.
3. Use the UP or DOWN buttons to switch between “On” or “Off”. Selecting “On” will strike the lamp, “Off” will turn off the lamp.
4. Press ENTER to confirm your selection or press the MENU button to return to the main menu.

**State/Power On** - With this function, you can switch the lamp On or Off while the fixture power is on.

1. Access the main menu, and press the UP or DOWN buttons so that “**Lamp Settings**” is highlighted, then press ENTER.
2. Press the UP or DOWN buttons until “**State/Power On**” is displayed, and press ENTER. The current setting will now be displayed.
3. Use the UP or DOWN buttons to switch between “On” or “Off”. To keep the lamp lit while the fixture power is on select “On”, select “Off” to turn the lamp off while fixture power is on.
4. Press ENTER to confirm your selection or press the MENU button to return to the main menu.

**Cooling Mode** - With this function, you can control the fan speed.

1. Access the main menu, and press the UP or DOWN buttons so that “**Lamp Settings**” is highlighted, then press ENTER.
2. Press the UP or DOWN buttons until “**Cooling Mode**” is displayed, and press ENTER. The current setting will now be displayed.
3. Use the UP or DOWN buttons to switch between “Quiet” or “Fast”. To quiet the fans select “Quiet”, select “Fast” to activate the fans.
4. Press ENTER to confirm your selection or press the MENU button to return to the main menu.

#### **DISPLAY SETTING -**

**Display Inverse** - With this function, you can “flip” the display 180 degrees.

1. Access the main menu, and press the UP or DOWN buttons so

that “**Display Setting**” is highlighted, then press ENTER.

2. Press the UP or DOWN buttons until “**Display Inverse**” is displayed, and press ENTER. The current setting will now be displayed.
3. Use the UP or DOWN buttons to switch between “No” or “Yes”. Selecting “Yes” will “flip” the display, “No” will return the display to normal.
4. Press ENTER to confirm your selection or press the MENU button to return to the main menu.

**Backlight Intensity** - With this function, you can adjust the intensity of the display backlight.

1. Access the main menu, and press the UP or DOWN buttons so that “**Display Setting**” is highlighted, then press ENTER.
2. Press the UP or DOWN buttons until “**Backlight Intensity**” is displayed, and press ENTER. The current setting will now be displayed.
3. Use the UP or DOWN buttons to to adjust the intensity between 1-10. 1 is the lowest intensity, 10 the brightest.
4. Press ENTER to confirm your selection or press the MENU button to return to the main menu.

**Contrast Ratio** - With this function, you can adjust the contrast ratio of the display.

1. Access the main menu, and press the UP or DOWN buttons so that “**Display Setting**” is highlighted, then press ENTER.
2. Press the UP or DOWN buttons until “**Contrast Ratio**” is displayed, and press ENTER. The current setting will now be displayed.
3. Use the UP or DOWN buttons to to adjust the intensity between 0-30. 0 is the lowest intensity, 30 the brightest.
4. Press ENTER to confirm your selection or press the MENU button to return to the main menu.

**Temperature Unit** - With this function, you can switch the temperature setting between Celsius or Fahrenheit.

1. Access the main menu, and press the UP or DOWN buttons so that “**Display Setting**” is highlighted, then press ENTER.
2. Press the UP or DOWN buttons until “**Temperature Unit**” is displayed, and press ENTER. The current setting will now be displayed.
3. Use the UP or DOWN buttons to switch between °C or °F.
4. Press ENTER to confirm your selection or press the MENU button to return to the main menu.

**Language** - With this function, you can switch the display language between English and Chinese.

1. Access the main menu, and press the UP or DOWN buttons so that “**Display Setting**” is highlighted, then press ENTER.
2. Press the UP or DOWN buttons until “**Language**” is displayed, and press ENTER. The current setting will now be displayed.
3. Use the UP or DOWN buttons to switch between English or Chinese.
4. Press ENTER to confirm your selection or press the MENU button to return to the main menu.

#### **FIXTURE TEST -**

**Fixture Test** - With this function, you can run an Auto Test or a Manual Test.

1. Access the main menu, and press the UP or DOWN buttons so that “**Fixture Test**” is highlighted, then press ENTER.
2. Use the UP or DOWN buttons to switch between “**Auto Test**” or “**Manual Test**”.
3. Press ENTER to confirm your selection or press the MENU button to return to the main menu.

#### **FIXTURE INFORMATION -**

**Fixture Use Hour** - With this function, you can check the fixture running time.

1. Access the main menu, and press the UP or DOWN buttons so that “**Fixture Information**” is highlighted, then press ENTER.
2. Press the UP or DOWN buttons until “**Fixture Use Hour**” is displayed, and press ENTER. The fixture running time will now be displayed.
3. Press the MENU button to return to the main menu.

**Light Use Hour** - With this function, you can check the lamp running time and reset the lamp running time. **NOTE: The lamp running time should be reset every time the lamp is replaced.**

1. Access the main menu, and press the UP or DOWN buttons so that “**Fixture Information**” is highlighted, then press ENTER.
2. Press the UP or DOWN buttons until “**Light Use Hour**” is displayed, and press ENTER. The lamp life running time will now be displayed. Press the UP or DOWN buttons to switch between “**Exit**” and “**Reset Time**”. **NOTE: If you have just replaced the lamp select “Reset Time” and press ENTER. The lamp time will now be cleared.**
3. To leave this function select “Exit” and press ENTER, or press the MENU button to return to the main menu.

**Temperature** - With this function, you can check the fixture temperature.

1. Access the main menu, and press the UP or DOWN buttons so that “**Fixture Information**” is highlighted, then press ENTER.
2. Press the UP or DOWN buttons until “**Temperature**” is displayed, and press ENTER. The current fixture temperature will now be displayed.
3. Press the MENU button to return to the main menu.

**Fan State** - With this function, you can check the running speed of the fans.

1. Access the main menu, and press the UP or DOWN buttons so that “**Fixture Information**” is highlighted, then press ENTER.
2. Press the UP or DOWN buttons until “**Fan State**” is displayed, and press ENTER. The current running speed of the fans will now be displayed.
3. Press the MENU button to return to the main menu.

**Firmware Version** - With this function, you can check the current firmware version.

1. Access the main menu, and press the UP or DOWN buttons so that “**Fixture Information**” is highlighted, then press ENTER.
2. Press the UP or DOWN buttons until “**Firmware Version**” is displayed, and press ENTER. The current firmware version will now be displayed.
3. Press the MENU button to return to the main menu.

#### **RESET FUNCTION -**

**Pan & Tilt** - With this function, you can reset the pan & tilt motors.

1. Access the main menu, and press the UP or DOWN buttons so that “**Reset Function**” is highlighted, then press ENTER.
2. Press the UP or DOWN buttons until “**Pan & Tilt**” is displayed, and press ENTER.
3. Use the UP or DOWN buttons to switch between “No” or “Yes”. To reset the pan & tilt motors, select “Yes” and press ENTER.

**Effects** - With this function, you can reset the effect motors.

1. Access the main menu, and press the UP or DOWN buttons so that “**Reset Function**” is highlighted, then press ENTER.
2. Press the UP or DOWN buttons until “**Effects**” is displayed, and press ENTER.

3. Use the UP or DOWN buttons to switch between “No” or “Yes”. To reset the effects motors, select “Yes” and press ENTER.

**All** - With this function, you can reset all of the motors.

1. Access the main menu, and press the UP or DOWN buttons so that “**Reset Function**” is highlighted, then press ENTER.
2. Press the UP or DOWN buttons until “**All**” is displayed, and press ENTER.
3. Use the UP or DOWN buttons to switch between “No” or “Yes”. To reset all of the motors, select “Yes” and press ENTER.

#### **SPECIAL FUNCTIONS -**

**Special Functions** - Within this menu, you can reset the fixture to factory settings.

1. Access the main menu, and press the UP or DOWN buttons so that “**Special Functions**” is highlighted, then press ENTER.
2. “**Factory**” will now be displayed, and press ENTER.
3. To reset the fixture to factory settings, use the UP or DOWN buttons to “Yes” and press ENTER. If you do not wish to reset to factory settings, highlight “No” and press ENTER.



Offset Menu	Pan	-128~127
	Tilt	-128~127
	Shutter	0~255
	Color	-128~127
	Gobo1	-128~127
	Gobo2	-128~127
	R-Gobo2	-128~127
	Prism	0~255
	R-Prism	-128~127
	Prism2	0~255
	R-Prism2	-128~127
	Frost	0~255
	Focus	0~255
	Zoom	0~255

To enter the Offset Menu, press the ENTER button for at least 3 seconds. In this submenu you are able to adjust the home position of the pan, tilt, shutter, color wheel, both gobo wheel's, RGobo (Rotating) wheel, prism, R (Rotating) Prism, and focus position.

### Pan - Adjustment of the pan home position.

1. Press the ENTER button for at least 3 seconds, then press the UP or DOWN buttons so that “**Pan**” is displayed, press ENTER.
2. Use the UP and DOWN buttons to make your adjustments, and then press ENTER to confirm. Press the MENU button for one second to exit.

### TILT - Adjustment of the tilt home position.

1. Press the ENTER button for at least 3 seconds, then press the UP or DOWN buttons so that “**Tilt**” is displayed, press ENTER.

2. Use the UP and DOWN buttons to make your adjustments, and then press ENTER to confirm. Press the MENU button for one second to exit.

### Shutter - Setting adjustment for the Shutter.

1. Press the ENTER button for at least 3 seconds, then press the UP or DOWN buttons so that “**Shutter**” is displayed, press ENTER.
2. Use the UP and DOWN buttons to make your adjustments, and then press ENTER to confirm. Press the MENU button for one second to exit.

### Color - Setting adjustment for the color wheel.

1. Press the ENTER button for at least 3 seconds, then press the UP or DOWN buttons so that “**Color**” is displayed, press ENTER.
2. Use the UP and DOWN buttons to make your adjustments, and then press ENTER to confirm. Press the MENU button for one second to exit.

### Gobo1 - Setting adjustment for the 1st gobo wheel.

1. Press the ENTER button for at least 3 seconds, then press the UP or DOWN buttons so that “**Gobo1**” is displayed, press ENTER.
2. Use the UP and DOWN buttons to make your adjustments, and then press ENTER to confirm. Press the MENU button for one second to exit.

### Gobo2 - Setting adjustment for the 2nd gobo wheel (glass gobo wheel).

1. Press the ENTER button for at least 3 seconds, then press the UP or DOWN buttons so that “**Gobo2**” is displayed, press ENTER.
2. Use the UP and DOWN buttons to make your adjustments, and then press ENTER to confirm. Press the MENU button for one second to exit.

## R-Gobo2 - Setting adjustment for the 2nd gobo wheel (glass gobo wheel).

1. Press the ENTER button for at least 3 seconds, then press the UP or DOWN buttons so that “**R-Gobo2**” is displayed, press ENTER.
2. Use the UP and DOWN buttons to make your adjustments, and then press ENTER to confirm. Press the MENU button for one second to exit.

## Prism - Setting adjustment for the 1st prism.

1. Press the ENTER button for at least 3 seconds, then press the UP or DOWN buttons so that “**Prism**” is displayed, press ENTER.
2. Use the UP and DOWN buttons to make your adjustments, and then press ENTER to confirm. Press the MENU button for one second to exit.

## R-Prism - Setting adjustment for the rotating prism.

1. Press the ENTER button for at least 3 seconds, then press the UP or DOWN buttons so that “**R-Prsim**” is displayed, press ENTER.
2. Use the UP and DOWN buttons to make your adjustments, and then press ENTER to confirm. Press the MENU button for one second to exit.

## Prism2 - Setting adjustment for the 2nd prism.

1. Press the ENTER button for at least 3 seconds, then press the UP or DOWN buttons so that “**Prism2**” is displayed, press ENTER.
2. Use the UP and DOWN buttons to make your adjustments, and then press ENTER to confirm. Press the MENU button for one second to exit.

## R-Prism2 - Setting adjustment for the rotating prism.

1. Press the ENTER button for at least 3 seconds, then press the UP or DOWN buttons so that “**R-Prsim2**” is displayed, press ENTER.

2. Use the UP and DOWN buttons to make your adjustments, and then press ENTER to confirm. Press the MENU button for one second to exit.

## Frost - Setting adjustment for the frost filter.

1. Press the ENTER button for at least 3 seconds, then press the UP or DOWN buttons so that “**Frost**” is displayed, press ENTER.
2. Use the UP and DOWN buttons to make your adjustments, and then press ENTER to confirm. Press the MENU button for one second to exit.

## FOCUS - Setting adjustment for the focus.

1. Press the ENTER button for at least 3 seconds, then press the UP or DOWN buttons so that “**Focus**” is displayed, press ENTER.
2. Use the UP and DOWN buttons to make your adjustments, and then press ENTER to confirm. Press the MENU button for one second to exit.

## Zoom - Setting adjustment for the zoom.

1. Press the ENTER button for at least 3 seconds, then press the UP or DOWN buttons so that “**Zoom**” is displayed, press ENTER.
2. Use the UP and DOWN buttons to make your adjustments, and then press ENTER to confirm. Press the MENU button for one second to exit.

If any of these warning's appear and you are not certain on what form of action needs to be taken, please contact ADJ customer support for more information.

## Lamp Startup Fail

This will appear when there is no lamp in place or wires are damaged.

## Temperature Sense Error

This will appear when the temperature check board is damaged.

## Lamp Too Hot Power Off

This will appear when the detected temperature is higher than 110°C or 230°F. Check and make sure the unit is properly ventilated. Check the fans or temperature check board maker sure they are not damaged.

## Lamp Too Hot Low Power

This will appear when the detected temperature is higher than 105°C or 221°F. The unit will then run on a lower power level.

## Lamp On Over 700 Hour

This will appear when the lamp has been on over 700 hours. When this appears you need to turn the lamp off.

## Memory Initial Fail

This will appear when the memory IC is damaged.

## Temperature Sense Error

This will appear when the temperature check board is damaged.

## CPU-8 Error, CPU-C Error, CPU-D Error

This will appear when the PC board or wires are damaged.

## Random Error Messages

Pan Reset Error, Pan Encode Error, Tilt Reset Error, Tilt Encode Error, Shutter Reset Fail, Dimmer Reset Fail, Color Reset Fail, Cyan Reset Fail, Magenta Fail, Yellow Reset Fail, Gobo1 Reset Fail, R-Gobo1 Reset Fail, Gobo2 Reset Fail, Iris Reset Fail, Effect Reset Fail, R-Effect Reset Fail, Frost Reset Fail, Flat Reset Fail, Focus Reset Fail, Zoom Reset Fail.

These may appear when turning on or resetting the unit. For some parts such as the PC Board are damaged. Please contact ADJ customer support.

## Vizi Hybrid 16RX

## Lamp & Fuse Replacement

**Caution:** Always replace with the exact same type lamp and fuse, unless otherwise specified by an authorized ADJ® service technician. Replacing with anything other than the specified part can damage your unit and will void your manufacturer's warranty.

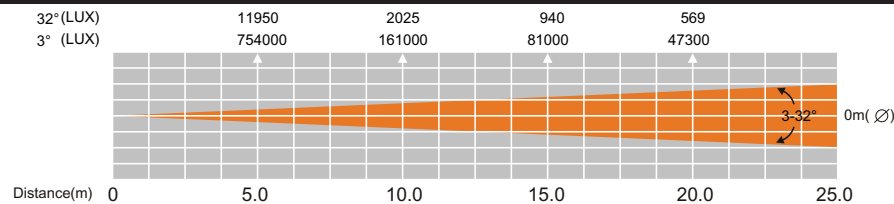
**Warning:** If you continue to blow lamps or fuses, STOP using the unit. Contact customer support for further instructions, you may have to return the unit for servicing. Continuing to use the unit may cause serious damage.

**Fuse Replacement:** First unplug the power. The fuse holder is located next to the PowerCon connection. Using a Phillips head screwdriver, unscrew the fuse holder. Remove the bad fuse and replace with a new one.

**Lamp Replacement:** **Caution! Never attempt to change the lamp while the fixture is plugged in. Always disconnect the main power and allow the unit at least 15 minutes to cool before attempting to replace the lamp. Please see page 7 for important information regarding the discharge lamp. See the next pages for lamp replacement instructions. Be sure to follow the proper handling procedures that deal with discharge lamps.**

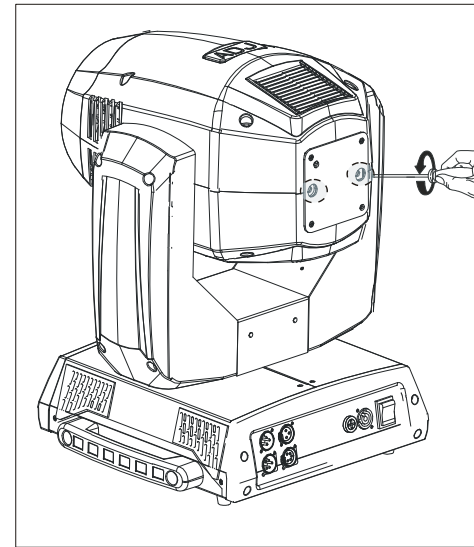
## Vizi Hybrid 16RX

## Photometric Chart

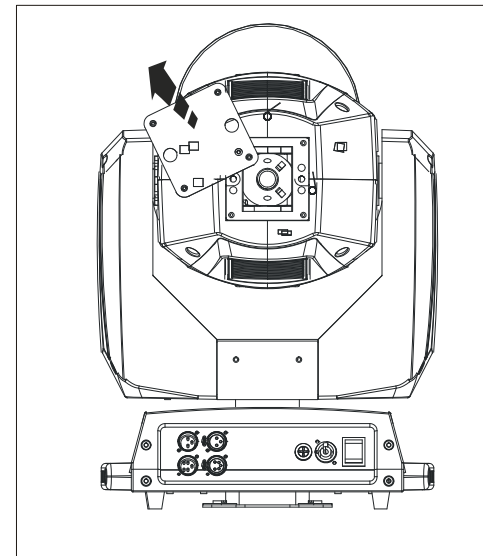


## Vizi Hybrid 16RX

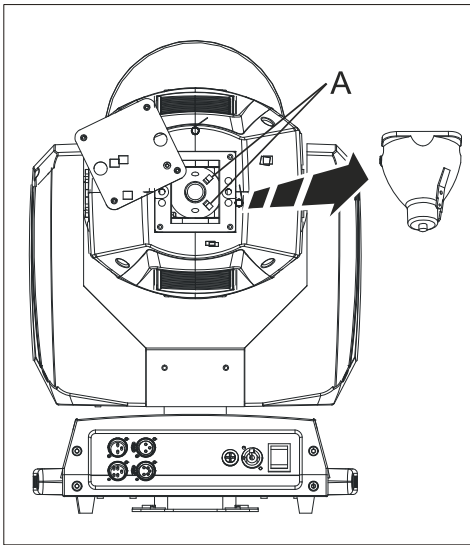
## Lamp Replacement



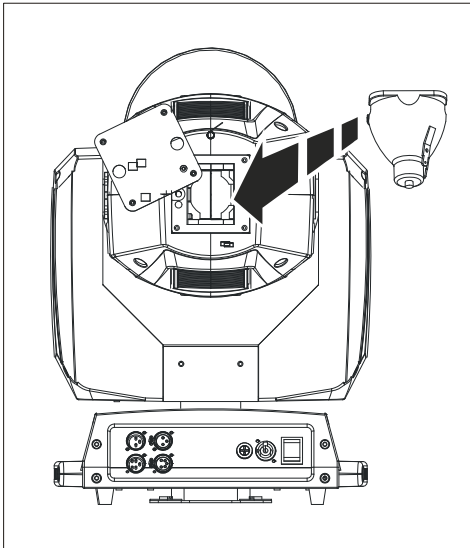
Replacing the lamp is relatively easy. Unplug the unit from its power source. Allow the unit 15 minutes to cool down. Start by unscrewing the two Phillips screws that hold the lamp door in place. **DO NOT UNSCREW THE SCREW LOCATED ABOVE THE MAIN SCREWS!**



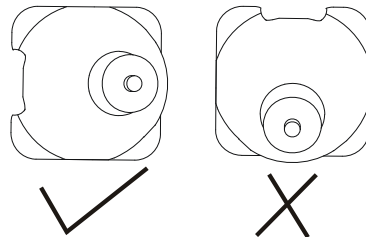
Pull the lamp door out and rotate to the side as the diagram shows. You will not have access to the lamp.



Make sure the moving head is right side up, meaning the lettering is not upside down. Carefully remove the lamp from lamp housing by gently sliding the lamp to the right. It should “pop” out on the left side. You should now be able to remove the lamp from the holders on the right side.



Replace the lamp by placing the new lamp into the right side lamp “sleeves”. Once properly placed in the “sleeves”, gently slide the lamp to the right. Once the lamp is to the right, the lamp can now be placed into left side “sleeves”



The glass gobo's are the only gobo's that are interchangeable in this unit. Remember when changing these gobo's they are glass. Please do this process gently so you do not break the gobo.

**Caution!** *Never open the unit when in use. Always disconnect the main power before attempting to change the gobos.*

1. To change a gobo, rotate the moving head so the instructions on the rear of unit are upside down.
2. Unscrew the 4 screws that secure the shell to the unit. The shell is attached to the unit by a safety wire, gently lift the shell off of the unit.
3. When you remove the shell you will be able to access the gobo wheel. Turn the wheel with your hand until you come across the gobo you would like to change.
4. You have to remove the individual gobo frames. Gently push the gobo frame (Not the wheel) away from the gobo wheel, you do not have to the push gobo frame to far. While you are pushing the gobo frame away from the wheel, pull the the gobo frame up and out.
5. Once the gobo frame has been removed, gently remove the fixture ring. The fixture ring should easily come out of the frame. After the fixture ring is removed, remove the gobo.
6. Change the gobo and replace the fixture ring. When inserting the gobo frame back into the unit, the bottom of the gobo frame must slide underneath the metal place holder located at the bottom of the gobo frame slot in the wheel.
7. Reassemble the unit.

## Vizi Hybrid 16RX

## Cleaning

**Fixture Cleaning:** Due to fog residue, smoke, and dust cleaning the internal and external optical lenses and mirror should be carried out periodically to optimize light output. Cleaning frequency depends on the environment in which the fixture operates (i.e. smoke, fog residue, dust, dew). In heavy club use we recommend cleaning on a monthly basis. Periodic cleaning will ensure longevity, and crisp output.

1. Use normal glass cleaner and a soft cloth to wipe down the outside casing.
2. Use a brush to wipe down the cooling vents and fan grill.
3. Clean the external optics and mirror with glass cleaner and a soft cloth every 20 days.
4. Clean the internal optics with glass cleaner and a soft cloth every 30-60 days.
5. Always be sure to dry all parts completely before plugging the unit back in.

## Vizi Hybrid 16RX

## Trouble Shooting

**Trouble Shooting:** Listed below are a few common problems that you may encounter, with solutions.

### ***No light output from the unit;***

1. Make sure the lamp is “On”. See pages 25-26
2. Be sure the external fuse has not blown. The fuse is located on the bottom panel of the unit.
3. Remove the lamp holder and be sure the lamp is seated in its socket properly. Occasionally lamps become loose during shipping be sure the lamp is push in to its socket all the way.
4. Be sure the fuse holder is completely and properly seated.

## Vizi Hybrid 16RX

## Warranty

### MANUFACTURER'S LIMITED WARRANTY

- A. ADJ Products, LLC hereby warrants, to the original purchaser, ADJ Products, LLC products to be free of manufacturing defects in material and workmanship for a prescribed period from the date of purchase (see specific warranty period on reverse). This warranty shall be valid only if the product is purchased within the United States of America, including possessions and territories. It is the owner's responsibility to establish the date and place of purchase by acceptable evidence, at the time service is sought.
- B. For warranty service you must obtain a Return Authorization number (RA#) before sending back the product—please contact ADJ Products, LLC Service Department at 800-322-6337. Send the product only to the ADJ Products, LLC factory. All shipping charges must be pre-paid. If the requested repairs or service (including parts replacement) are within the terms of this warranty, ADJ Products, LLC will pay return shipping charges only to a designated point within the United States. If the entire instrument is sent, it must be shipped in its original package. No accessories should be shipped with the product. If any accessories are shipped with the product, ADJ Products, LLC shall have no liability whatsoever for loss of or damage to any such accessories, nor for the safe return thereof.
- C. This warranty is void if the serial number has been altered or removed; if the product is modified in any manner which ADJ Products, LLC concludes, after inspection, affects the reliability of the product; if the product has been repaired or serviced by anyone other than the ADJ Products, LLC factory unless prior written authorization was issued to purchaser by ADJ Products, LLC; if the product is damaged because not properly maintained as set forth in the instruction manual.
- D. This is not a service contract, and this warranty does not include maintenance, cleaning or periodic check up. During the period specified above, ADJ Products, LLC will replace defective parts at its expense with new or refurbished parts, and will absorb all expenses for warranty service and repair labor by reason of defects in material or workmanship. The sole responsibility of ADJ Products, LLC under this warranty shall be limited to the repair of the product, or replacement thereof, including parts, at the sole discretion of ADJ Products, LLC. All products covered by this warranty were manufactured after August 15, 2012, and bear indentifying marks to that effect.
- E. ADJ Products, LLC reserves the right to make changes in design and/or improvements upon its products without any obligation to include these changes in any products theretofore manufactured.

No warranty, whether expressed or implied, is given or made with respect to any accessory supplied with products described above. Except to the extent prohibited by applicable law, all implied warranties made by ADJ Products, LLC in connection with this product, including warranties of merchantability or fitness, are limited in duration to the warranty period set forth above. And no warranties, whether expressed or implied, including warranties of merchantability or fitness, shall apply to this product after said period has expired. The consumer's and/or Dealer's sole remedy shall be such repair or replacement as is expressly provided above; and under no circumstances shall ADJ Products, LLC be liable for any loss or damage, direct or consequential, arising out of the use of, or inability to use, this product.

This warranty is the only written warranty applicable to ADJ Products, LLC Products and supersedes all prior warranties and written descriptions of warranty terms and conditions heretofore published.

### MANUFACTURER'S LIMITED WARRANTY PERIODS:

- **Lighting Products = 1-year (365 days) Limited Warranty** (Such as: Special Effect Lighting, Intelligent Lighting, UV lighting, Strobes, Fog Machines, Bubble Machines, Mirror Balls, Par Cans, Trussing, Lighting Stands etc. excluding LED and lamps)
- **Laser Products = 1 Year (365 Days) Limited Warranty** (excluding laser diodes which have a 6 month limited warranty)
- **L.E.D. Products = 2-year (730 days) Limited Warranty** (excluding motors, PCB boards, and power supplies, which have a 1-year (365 day Limited Warranty) batteries which have a 180 day limited warranty). Only the L.E.D.s carry a 2-year warranty (excluding StarTec Series which carries a 1 Year Limited Warranty) **Note: 2 Year Warranty only applies to purchases within the United States.**
- **ADJ DMX Controllers = 2 Year (730 Days) Limited Warranty** (excluding faders and tact switches)



<b>Model:</b>	<b>Vizi Hybrid 16RX</b>
<b>Voltage:</b>	100~240V, 50/60Hz
<b>Lamp:</b>	Philips® Platinum 16R Discharge*
<b>Power Consumption:</b>	537W
<b>Dimensions:</b>	12.75"(L) x 14.5"(W) x 22.5"(H) 325mm x 370mm x 571mm
<b>Weight:</b>	51 Lbs. / 23 kgs.
<b>Colors:</b>	14 Plus White
<b>Gobos:</b>	16 Fixed Gobos + Spot & Frost 12 Color Glass Rotating Gobos + Spot
<b>Glass Gobo Size:</b>	12mm (7mm Viewable) 1.0mm (Thickness)
<b>Fuse:</b>	7A
<b>DMX:</b>	19 Channels
<b>Warranty:</b>	1 Year (365 days)

\*This lamp has a 1500 hour life please see page 7 for more info.

**Auto Sensing Voltage:** *This fixture contains a electronic ballast, which will auto sense the voltage when it is plugged into the power source.*

**Please Note:** *Specifications and improvements in the design of this unit and this manual are subject to change without any prior written notice.*

ADJ Products, LLC  
6122 S. Eastern Ave. Los Angeles, CA 90040 USA  
Tel: 323-582-2650 / Fax: 323-725-6100  
Web: [www.adj.com](http://www.adj.com) / E-mail: [info@americandj.com](mailto:info@americandj.com)

A.D.J. Supply Europe B.V.  
Junostraat 2  
6468 EW Kerkrade  
The Netherlands

Follow Us On:



[facebook.com/americandj](https://facebook.com/americandj)  
[twitter.com/americandj](https://twitter.com/americandj)  
[youtube.com/adjlighting](https://youtube.com/adjlighting)

[service@adjgroup.eu](mailto:service@adjgroup.eu) / [www.adj.eu](http://www.adj.eu)  
Tel: +31 45 546 85 00 / Fax: +31 45 546 85 99