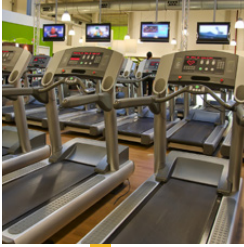




Restaurants,
Pubs, & Bars



Health &
Fitness Clubs



Corporate

ZvPro800i-NA

HD Digital Encoder / Modulator

**HD Video and Digital Signage Over Coax
With Simultaneous Video-over-IP Streaming**

Superior Video Quality

- Simultaneous QAM/IP stream output with no compromise in performance
- Full MPEG2 implementation
- I, P, and B Frames
- Low latency
- Full motion estimation with a wide search range

Extensible Architecture

- Easy downloadable firmware updates
- Future enhancements provided regularly
- Emergency Alert System (EAS)
- ZvShow bonus information channel with extended play capability via SD card input suitable for continuous looped messages

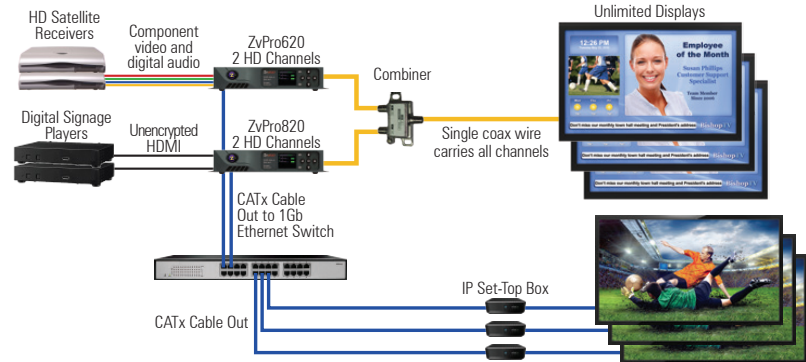
High Reliability

- Low-stress power system
- Full system instrumentation and monitoring
- Official international regulatory approval
- Forced air cooling for thermal control
- 5 Year Warranty

Ease of Management

- Powerful, highly intuitive web interface for instrumentation and control
- On-site or remote management
- Front Panel Display for on-site status and management at a glance
- Robust features like set-top-box control and delay-matched audio

Flexible Simultaneous QAM/IP Deployment



Zvproi

Simple Installation
Easy Setup
Quick Rollout
It's Done.



BOSTON | DENVER | LONDON

zeevee.com

PRELIMINARY Subject to Change

ZvPro800i-NA

HD Digital Encoder / Modulator



ZvPro800i Rear Detail



ZvPro800i Front Detail



Accessories

Rackmount kit and HDMI cables are sold separately.



North America Sales
+1.347.851.7364
sales@zeevee.com

EMEA Sales
+44 1494 956677
EMEAsales@zeevee.com

International Sales
+1.347.851.7364
intl-sales@zeevee.com

BOSTON | DENVER | LONDON

GENERAL	
Model Name	ZvPro I-Series, ZvPro820i / ZvPro810i
Part Number	ZvPro820i-NA / ZvPro810i-NA
Power	100-240 VAC 50/60 Hz, 36W max. 18W Typical IEC 60320-C14
Cooling	Internal cooling fan, front inlet, rear exhaust
Temperature/Humidity	Operating +32 F° to +113 F° (0 C° to +45 C°) / 10% to 80%, non-condensing
Vibration	NSTA 1A in carton
MTBF	62,000 hours
Compliance	FCC Class A, IEC60065, EN61000 (see Manual #70-00047), CE, RoHS
Enclosure Type	Metal
Mounting	Shelf mount flange or rack ears (ordered separately), 1 RU high
Enclosure Dimensions	8 in. (H) x 10 in. (W) x 1.75 in. (H) 20.32 cm (H) x 25.4 cm (W) x 4.445 cm (H)
System Weight	3.1 lbs. (1.4 kg)
Carton Dimensions (individual)	2.75 in. (H) 14 in. x (W) 12 in. (D) 6.985 cm (H) 35.56 cm (W) x 30.48 cm (D)
Shipping Weight	5 lbs. (2.3 kg)
Warranty	5 years
VIDEO INPUT	
Unencrypted HDMI x2 or x1	One (1) or two (2) ports per model up to 1080 HDMI 1.3 compliant. Backwards compatible to DVI 1.0 specifications
Closed Caption	EIA/CEA-608 captions accepted over composite video input
Extra Digital Channel	MPEG2 program stream file, up to 200 MB
AUDIO INPUT	
Digital Audio and Stereo Analog	Digital as element of HDMI 1.3 port or 3.5 mm stereo female, line level input per channel
VIDEO ENCODER	
Encoder Video Profile	MPEG2 HD: ISO13818-2 MainProfile@HighLevel
Traffic Shaping	Variable Bit Rate
Video Encoding Data Rates	Variable, 10 Mbs - 24 Mbs per channel
Average Encoding Data Rate	18 Mbs per channel
Encoding Latency	Programmable 200 msec to 400 msec
Color Profile	4:2:0
GOP Size	15
Video, Audio PID	Programmable starting value
Program Information	Programmable program name, EIT
AUDIO ENCODER	
Encoder Audio Profile	ATSC A/52, Dolby® Digital (AC-3)
MODULATOR / UPCONVERTER	
Modulation Types	QAM 256 and 64 (ITU-T J83 Annex B) Interleaving modes: (64,2) only
Cable Standard	HRC, IRC or STD
Frequency Range	Single or one paired, frequency agile QAM RF CATV channels 2-135 <ul style="list-style-type: none"> • 2kHz resolution • +/- 30 ppm accuracy • +/- 35 ppm stability
Output Power	+45 dBmV typical
Output Level Adjust	25 - 45 dBmV in 1dBmV steps
MER	> 38 dB typical
I/Q Amplitude Imbalance	< 1% typical
Spectral Tilt	< / = 1 dB over 6 MHz typical
IP STREAM OUTPUT	
Stream Details	RJ-45 10/100Mb Ethernet connection <ul style="list-style-type: none"> • Up to 2 SPTS, one for each encoded video stream • UDP unicast or multicast, IPV4 • User programmable destination address / port
CONTROL SET-UP	
Network Interface	10/100 Mb Ethernet via RJ45 connection IP address via DHCP or set by user HTML/Javascript served web interface for easy configuration Telnet connection for CLI scripting Easy firmware updates All settings saved in NV storage
Front Panel Color Display	Quickly obtain status at a glance, basic configurations, software revisions and updates

PRELIMINARY Subject to Change